



HBFFF793(W)-Q170-B

Intel® LGA1151 Processor, DDR4-2133 SODIMM up to 32GB, 3 * HDMI, 6 * COM, 2 * 2.5" SATA HDD

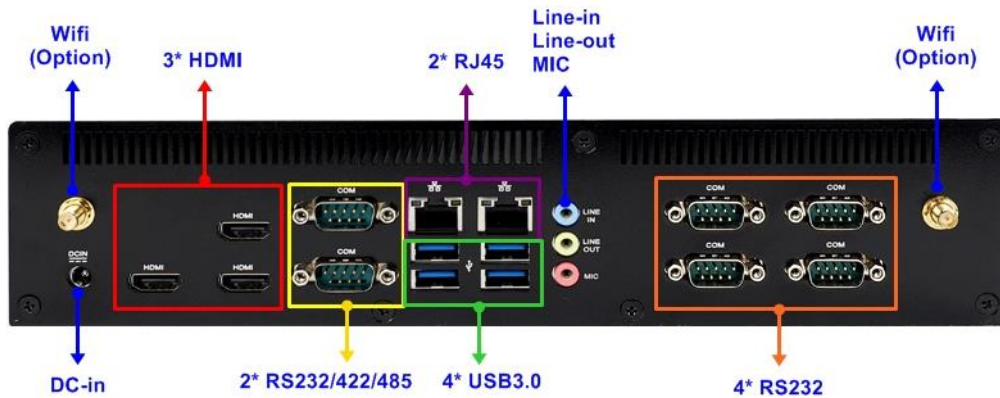


1. Fanless Black Aluminum Enclosure
2. Support Intel LGA1151 Socket 6th & 7th generation Pentium, Core i3, i5, i7 Processors, Up to 35W
3. Support DDR4-2133 SODIMM up to 32GB, 2 * 2.5" SATA HDD
4. Support 3 * HDMI
5. Support 6 * COM
6. Support Onboard TPM IC
7. Watchdog Timer, 120W 19V AC Adapter

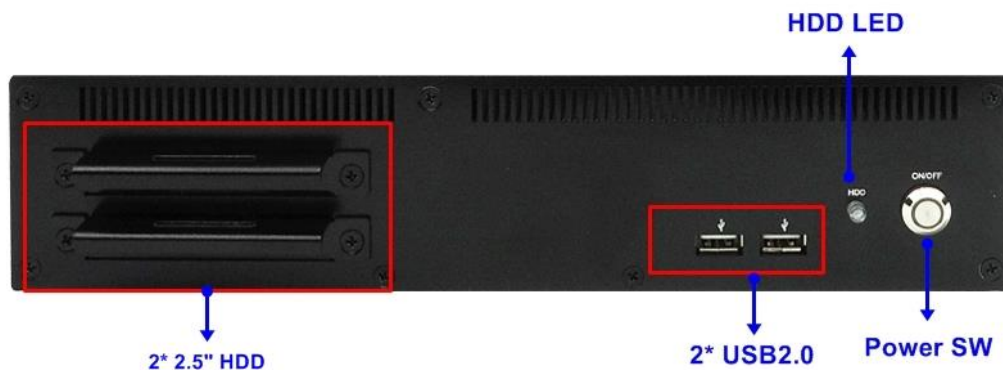


External I/O

Rear



Front

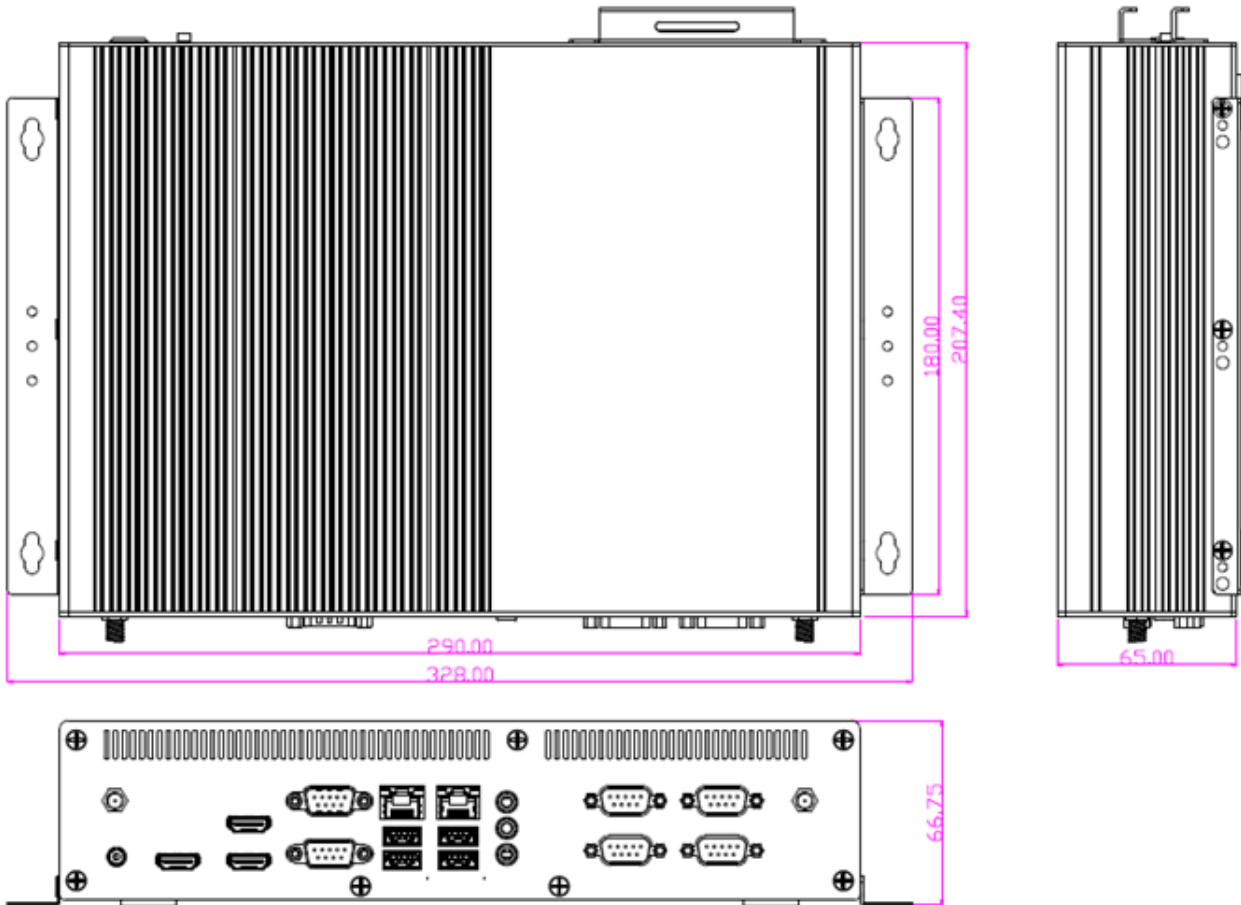


Specifications

MB Model	JNF793-Q170 Series/ MINI-ITX
Part No	<ul style="list-style-type: none"> ● HBFFF793-Q170-B (non-WIFI) / HBFFF793W-Q170-B (WIFI) ● HBFFF793-Q170-T1 (TPM1.2, non-WIFI) / HBFFF793W-Q170-T1 (TPM1.2, WIFI) ● HBFFF793-Q170-T2 (TPM2.0, non-WIFI) / HBFFF793W-Q170-T2 (TPM2.0, WIFI)
BIOS	AMI Flash ROM
CPU/Chipset	<ul style="list-style-type: none"> ● INTEL® LGA 1151 Socket 6th & 7th generation Core i7 / i5 / i3 /Pentium CPU (35W) ● INTEL® Q170 chipset <p>Notes : When the system runs, CPU will automatically adjust its working clock frequency according to changing workload.</p>
Memory	2 * SO-DIMM slots / dual channel DDR4-2133 up to 32GB total
Storage	<ul style="list-style-type: none"> ● 2 * 2.5" SATA3 6Gb/s internal drive bay (only support 2.5" HDD with a hight ≤ 10mm) ● 1 * Full-size Mini-PCIe slot (for mSATA)
Network	<ul style="list-style-type: none"> ● 2 * Intel Gigabit LAN (i219LM, i211AT)
Expansion	<ul style="list-style-type: none"> ● 1 * Half-size Mini-PCI Express shared slot (for WIFI module)
Rear Panel I/O	<ul style="list-style-type: none"> ● 4 * USB 3.0 ports ● 3 * HDMI (Max Resolution : 4096x2304@24Hz) ● 2 * RJ45 (Intel Gigabit LAN) ● Line-in, Line-out, MIC (Realtek ALC662VD) ● 2 * RS232/422/485 , 4 * RS232 ● 1 * DC-In jack
Front Panel I/O	<ul style="list-style-type: none"> ● 1 * Power button , 1 * HDD LED ● 2 * USB 2.0 ports ● 2 * 2.5" HDD Tray (Easy to replace the hard disk, does not support hot swap)
Power Source	<ul style="list-style-type: none"> ● AC to DC Adapter 19VDC-6.3A 120W
Compliance	CE, FCC, LVD, RoHS, ErP Ready
Environment	<ul style="list-style-type: none"> ● Operating Temperature: -20 ~ 50 °C (The test environment is closed and windless) ● Storage Temperature: -10 ~ 70 °C ● Humidity : 90% , non-condensing
Dimensions	290 (W) x 207 (D) x 65 (H) mm
Packing	<ul style="list-style-type: none"> ● Net Weight: 3.8KG ● Gross Weight: 4.8KG ● Color Box dimension: 406 (W) * 148 (D) * 359 (H) mm
OS Support	Skylake CPU support Win7, Win8, Win10. Kabylake CPU only support Win10.
Warranty	2 Year limited warranty

*Specifications subject to change without notice, not responsible for typographical errors. Does not include HDD or OS.

Mechanical Drawings (Unit = mm)



Optional Accessories

Parts Number	Description
-----	HBFFF793-Q170-B
G03-JC501QIG02-F	Quick Installation Guide
G03-NF793-F	IPC NF793 Series M/B User's Manual
G02-DVD25-A6-WF	Mini-ITX INTEL Skylake U/Kabylake U DVD Driver
L01AS039-F	Adapter 19V 6.32A 120W / LEVEL6
-----	Power cord
HCS5XXMWM01B-1F	Wall mount / Black color
LCSCBFDXXX-F	Screw Pack
J05-ANT-AN2400-F	Antenna2G4 -2dBi R-AN2400-5701RS (WIFI only)
HCS3XXDINRAILPS-F	Din Rail Clip

Tel: +886-2-89132711 E-mail: sales@jetway.com.tw Web: www.jetwayipc.com
 Support: technic@jetway.com.tw or support_team@jetway.com.tw