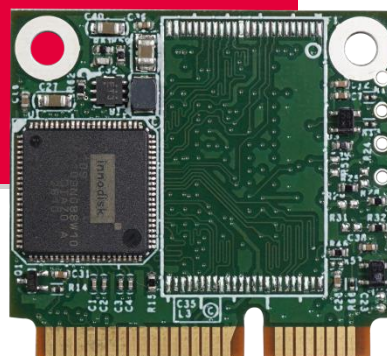


Datasheet

# mSATA mini 3SE3 series

- SATA 6Gb/s interface
- iSMART disk health monitoring
- Intelligent error recovery system
- Excellent data transfer speed
- Zero mechanical interference
- Anti-vibration mechanical design
- JEDEC standard MO-300 dimension



## Introduction

Innodisk mSATA mini 3SE3 is designed as the standard Mini PCIe form factor with SATA interface, and supports SATA III standard (6.0Gb/s) with excellent performance. The form factor refers to the MO-300 / MO-300B specification which established by JEDEC. Regarding of mechanical interference, Innodisk mSATA mini 3SE3 absolutely replaces the traditional hard disk and makes personal computer, in any field, smaller and easier.

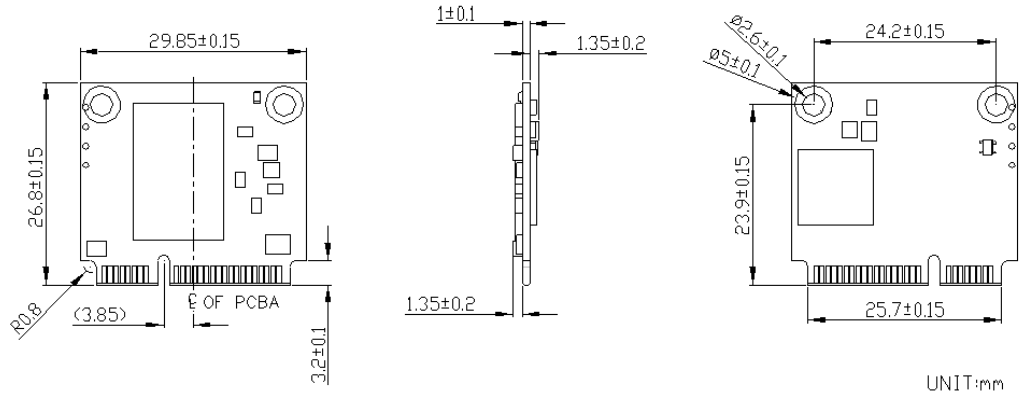
Innodisk mSATA mini 3SE3 effectively reduces the booting time of operation system and the power consumption is less than hard disk drive (HDD), and complies with ATA protocol, no additional drives are required, and can be configured as a boot device or data storage device.

# mSATA mini 3SE3 series

Contact us for more information about the MSATA mini 3SE3.

Innodisk is a service-driven provider of industrial embedded flash storage products and technologies, with a focus on the cloud computing, industrial/embedded, and aerospace and defense industries.

## Diagram



### Headquarters (Taiwan)

5F., No.237, Sec. 1, Datong Rd.,  
Xizhi Dist., New Taipei City,  
Taiwan (R.O.C.)  
Tel: +886-2-77033000  
Email: sales@innodisk.com

### Branch Offices:

USA  
[usasales@innodisk.com](mailto:usasales@innodisk.com)  
+1-510-770-9421  
Europe  
[eusales@innodisk.com](mailto:eusales@innodisk.com)  
+31-(0)40-282-1818  
Japan  
[jpsales@innodisk.com](mailto:jpsales@innodisk.com)  
+81-3-6667-0161  
China  
[sales\\_cn@innodisk.com](mailto:sales_cn@innodisk.com)  
+86-755-21673689  
[www.innodisk.com](http://www.innodisk.com)

© 2016 Innodisk Corporation.  
All right reserved. Specifications  
are subject to change without  
prior notice.

## Specifications

Interface	SATA III
Flash Type	SLC
Capacity	04GB~32GB
Max. Channels	2
Sequential R/W (MB/sec, max.)	215 / 120
Max. Power Consumption	0.7 W (3.3V x 240 mA )
Thermal Sensor	WT only
External DRAM Buffer	-
H/W Write Protect	-
ATA Security	√
S.M.A.R.T.	√
Dimension (WxLxH)	29.8 X 26.8 X 3.7 mm
Environment	Vibration: 20G @7~2000Hz Shock: 1500G @ 0.5ms Storage Temperature: -55°C ~ +95°C MTBF: 3 million hours

20160913

## Ordering Information

Operation Temp.	4GB	8GB	16GB	32GB
Standard Grade (0°C ~ +70°C)	DEMISM-04GD09SCADB	DEMISM-08GD09SCADB	DEMISM-16GD09SCADB	DEMISM-32GD09SCADB
Industrial Grade (-40°C ~ +85°C)	DEMISM-04GD09SWADB	DEMISM-08GD09SWADB	DEMISM-16GD09SWADB	DEMISM-32GD09SWADB