



Main Features

- 4:3 Fanless LED panel computer
- Intel® Processor N97, Quad Core 2.0GHz, 6M Cache, up to 3.60 GHz
- Flush panel design by 5-wire resistive touch screen
- 1 X DDR5 4800MT/s Memory, up to 16GB (Non-ECC)
- Dual Intel® 2.5 GbE LAN ports/DP1.4a /TYPE-C(DP Alt. Mode)
- 2 x RS232/422/485 with isolation (optional)
- Internal support :
 - 1 x mini-PCIe (PCIeX1, USB2.0, SIM)
 - 1 x B key M.2 3052 (PCIeX1,USB3.0,USB2.0)
 - 1 x B key M.2 2242 (SATA)
- 1 x PCIe1 expansion
- 24VDC input; support AT/ATX power mode

Product Overview

Fanless panel PC APPC1760-A11 is equipped with low power consumption Alder Lake-N Intel Processor N97 intended for versatile industrial applications. The panel PC supports 1280 x 1024(SXGA)resolution and 350nits brightness, 5-wires resistive touch. The front panel which adopts flush design and complies with IP65 standard makes it the perfect fit in industrial applications. APPC1760-A11 contains dual 2.5 Gigabit Ethernet connectors, one mini-PCIe slot and Two M.2 slots to support multiple networks of LAN/WLAN/WWAN (5G) and storage. In addition, system provides a PCIe1 for module expansion. APPC1760-A11 can hook 2nd display via DP or USB-C for dual independent display. Two adjustable isolated RS232/422/485 ports. It is ideal for general industrial equipment integration.

Specifications

Panel: APPC1760-A11

- LCD size: 17", 4:3
- LCD interface : LVDS
- Resolution: : SXGA 1280 x 1024
- Luminance: 350cd/m²
- Viewing angle: 80 (U), 80 (D), 85 (L), 85 (R)
- Backlight: LED

Touch

- Five wires resistive touch (flush panel type)
- Light transmission:
81% ± 3%
- Interface: USB

System

- CPU : Alder Lake N Intel® processor N97 solder onboard
- BIOS: AMI BIOS
- Supports Intel® Platform Trust Technology (Intel®PTT)
- TPM 2.0 (optional)
- System memory: 1 x 262 pins DDR5 SO-DIMM socket, support up to Max.16GB DDR5 4800MHz (non-ECC)
- Storage device:
 - 1 x internal mini-PCIe (PCIeX1, USB2.0, SIM)
 - 1 x B key M.2 3052 (PCIeX1,USB3.0,USB2.0)
 - 1 x B key M.2 2242 (SATA)

Rear I/O interface

- 2 x DB9 for COM1 & COM2
 - COM1: RS232/422/485 auto flow control (optional isolation)
 - COM2: RS232/422/485 auto flow control (optional isolation)
- 2 x USB 3.2 ports
- 1 x DP1.4a
- 1 x USB type C supports Display Alternate mode
- 2 x Intel® I226-IT 2.5 GbE LAN ports; support WoL and PXE
- 1 x 2-pin remote power on/off switch
- 24V DC input with 3 pins Phoenix connector

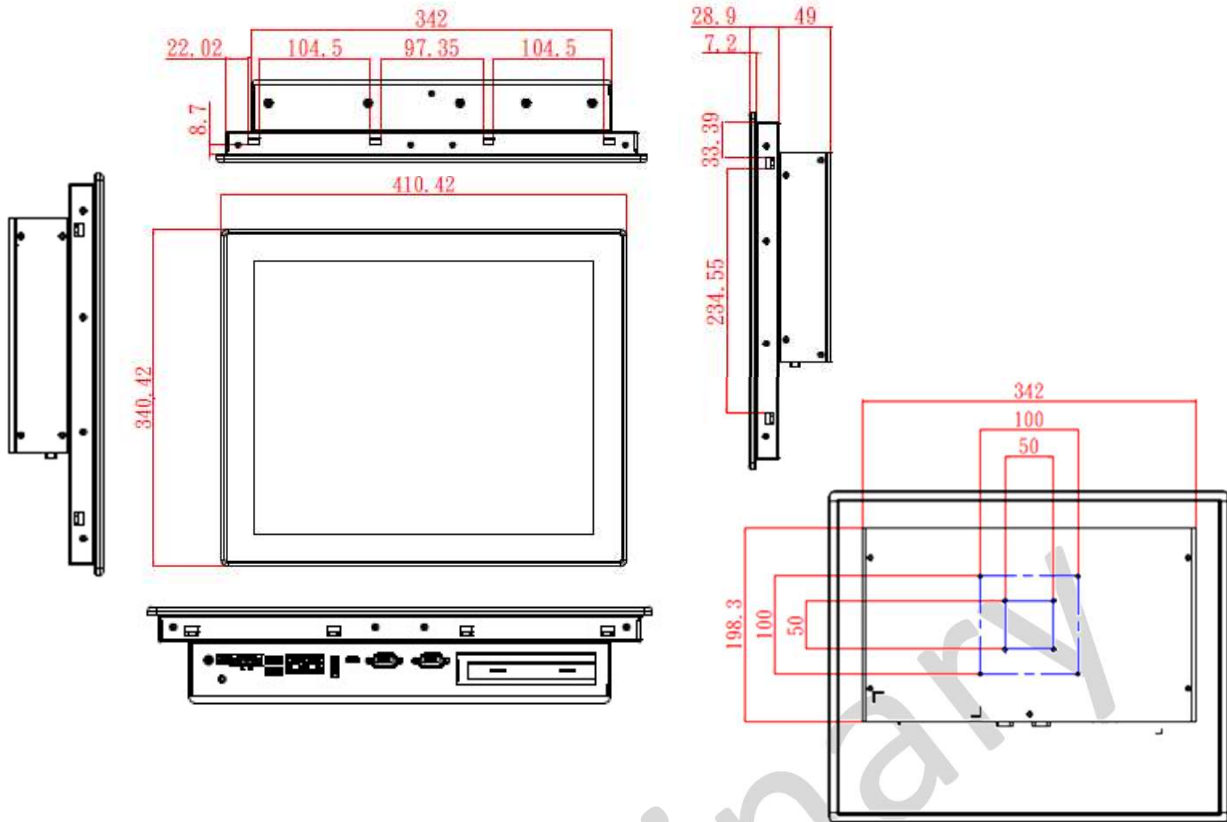
Expansion Slot

- One PCIe x1 expansion slot 5W max. or 1x USB2.0 port
- 1 x mini-PCIe for Wi-Fi/FBI/LTE
- 1 x B key M.2 2242 for storage
- 1 x B key M.2 3052 for 5G/Wi-Fi
- 1 x nano SIM card slot onboard

Power Requirements

- AT/ATX power mode (default: ATX power mode)
- Power input: 24V DC ±20%
- Power adapter: optional AC to DC power adapter (24V DC, 60W)

Dimension Drawing



Construction

- Color: Pantone black\RAL 15 00 front bezel w/ Pantone 400C\RAL 090 80 10 metal style membrane and black silver PC box
- IP protection: IP65 front
- Mounting: panel/wall/stand/VESA 100mm x 100mm
- **Environment**
- Operating temperature:
Ambient with air flow: -10°C to 55°
Storage temperature: -20°C to 75°C
- Relative humidity: 10% to 90% non-condensing, (limits to be at 90% RH at max 50°C)
- Shock protection:
-SSD: 20G @wall mount, half sine, 11ms, IEC60068-2-27
- Vibration protection with SSD & M.2 condition:(TBD)
- Random: 2Grms @ sine, 5~500 Hz, IEC60068-2-64

Certifications

- CE approval
- FCC Class A

OS Support

- Windows 10 64-bit
- Windows 11 64-bit

Ordering Information

Barebone

- **APPC 1760-A11 (P/N: TBD)**
17" SXGA LED backlight touch panel PC, Intel® Processor N97 Alder Lake N, 8GB DDR5, 2 x RS232/422/485, Intel® I226-IT 2.5 Gigabit LAN

Options

- 24V, 60W AC/DC power adapter w/o power cord (P/N: 7400060054X00)