

E500RM9

5" ARM A73 + A53 Rugged Handheld Computer



KEY FEATURES

- 5" 1280 x 720 Resolution
- ARM A73 x 4 (2.0 GHz) + A53 x 4 (2.0 GHz)
- IP65 waterproof and dustproof
- Optional 1D/2D Barcode Reader and Fingerprint Reader for data collection
- Rated for extreme temperature use
- Optional NFC function

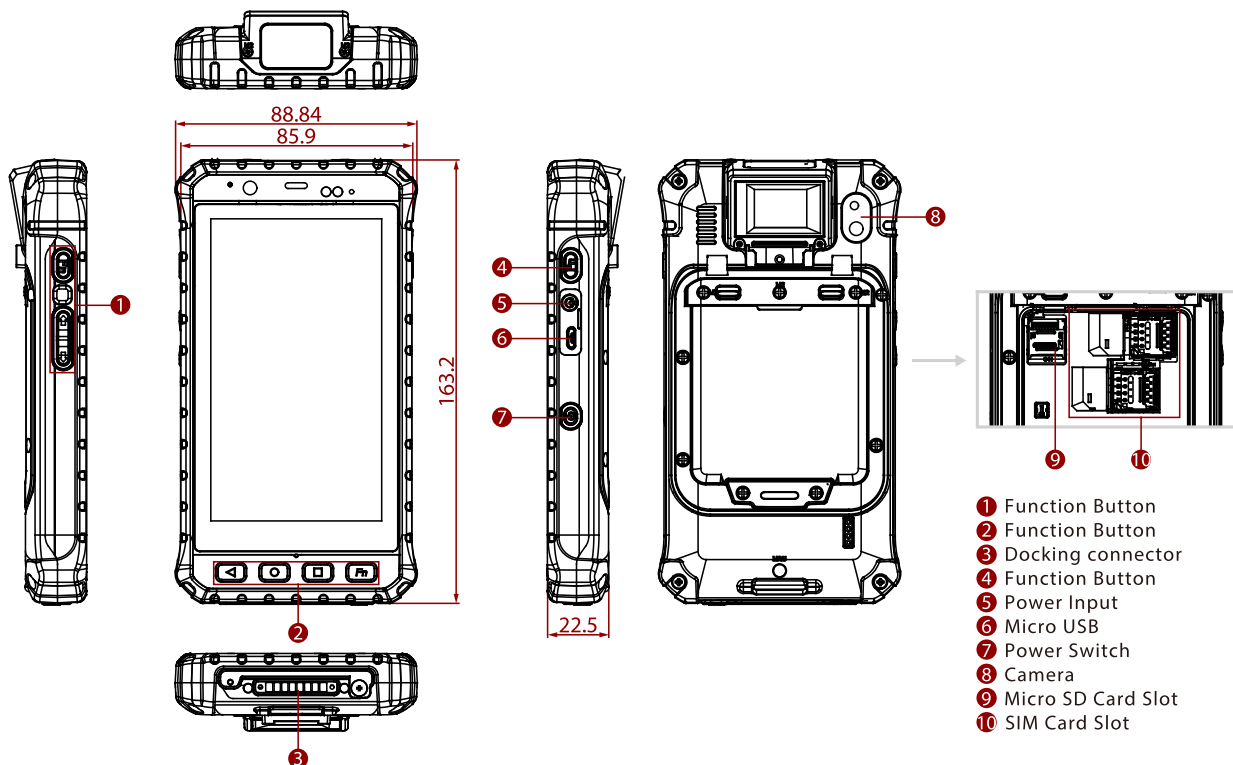


SPECIFICATIONS

Display	
Resolution	1280x720
Contrast Ratio	800:1
View Angles	80,80,80,80
Touch Mode	Support Hand / Gloves and Rain Mode
Size	5 inches
Panel Brightness	500 nits
Type	Projected Capacitive Multi Touch
Bonding	Optical Bonding for Sunlight Viewability
System Specification	
Processor	ARM A73 x 4 (2.0 GHz) + A53 x 4 (2.0 GHz)
Storage	64GB
WLAN	Support
WWAN	4G/LTE (Optional)
RFID	NFC (Read / Write, Peer to Peer mode) (Optional)
Smart Card Reader	ISO7816 Part 1.2.3 Smart Card Reader (Optional)
Memory	4GB
Operating System	Android 11.0
BT	Support
GNSS	GPS/AGPS
Sensors	Ambient Light Sensor, E-Compass, Gyro, Acceleration Sensors
Fingerprint Scanner	Fingerprint Reader (Optional)
Camera	
Front Camera	8MP Camera
Rear Camera	13MP Camera with LED Auxiliary Light (Auto Focus)
Mechanical	
Dimension	85.9 x 163.2 x 22.5 mm
Weight	315g
IO Ports	
USB Port	1 x Micro USB OTG
SIM Card Slot	2 x SIM Card Slot
SD Card Slot	1 x Micro SD Card Slot
Audio	1 x Audio Combo connector (Mic in or Line Out) 2 x Built-in Mic 1 x Speaker 1 x Receiver
Indicator	1 x LED Indicators (Power, Battery)
Docking Connector	1 x Docking Connector
Environment	
Operating Humidity	10% to 95% RH, NonCondensing
Operating Temperature	-10°C to 50°C (Battery mode)
Storage Temperature	-30°C to 70°C
Shock	MIL-STD-810H Method 516.6 Procedure I
Vibration	MIL-STD-810H Method 514.8 Procedure I
IP rating	IP65

Drop	MIL-STD-810H Method 516.6, 4 ft		
Certification			
Certification	CE, FCC		
Control			
Button	1 x Volume +/-, 1 x Power Button, 3 x Function Button, 1 x Home, 1 x Menu, 1 x Esc		
Power			
Battery	3.7V 3900mAh Hotswappable Function (Optional)	Battery Operating Time	20Hr
Power Rating	5V	Adapter	5V 2A Adapter
Security Function			
SOTI MobiControl	SOTI MobiControl Compliance		
Accessory			
Accessory	Power Plug (Based on Customer's Country) Hand Strap Battery	Optional Accessory	Micro SD Card Charging Dock 2 bay Charging Dock 6 bay Battery Charging Dock 2 bay Battery Charging Dock 6 bay Micro USB Cable
Barcode Scanner			
Barcode Scanner	1D/2D Barcode Reader (Optional)		

DIMENSIONS UNIT:MM



NOTE

1. Total usable memory will be less dependent upon actual system configuration.
2. The barcode reader and front camera are mutually exclusive options.
3. Computrace theft protection is available upon request.
4. Length measurements do not include protrusions. Weight varies with options and a digitizer pen.
5. Measured at dimming LCD brightness. Varies depending on the usage conditions, or when an external device is attached.
6. Accessories and integrated options may vary depending on your configuration.
7. This is a simplified drawing, and some components are not marked in detail.
8. The product shown in this datasheet is a standard model. For diagrams that contain customized or optional I/O, please contact the Winmate Sales Team for more information.

