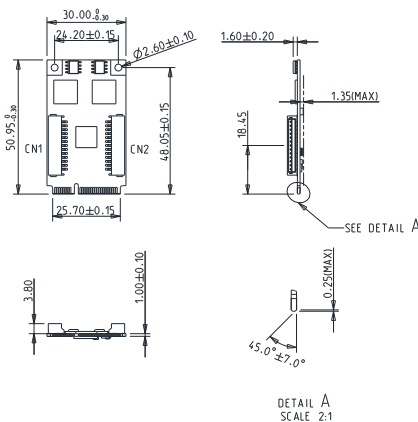


### Features

- Dual isolated GbE LAN port
- Complies with EN61000-4-5 2kV Surge protection
- Complies with IEC 60950-1:2005 + A1: 2009 + A2:2013 2kV HiPOT protection
- Complies with EN61000-4-2 (ESD) Air-15kV, Contact-8kV
- Flexible daughter board with cable to fit into different system
- Optional terminal mounting hole or bracket for daughter board
- Optional Industrial Temperature (-40°C to +85°C) support
- 30μ " golden finger, 3 years warranty
- Industrial design, manufactured in Innodisk Taiwan

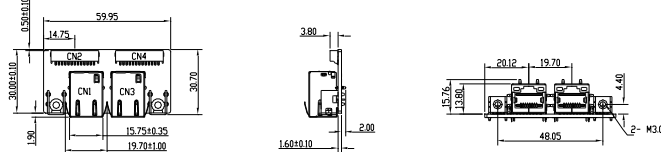
### Mechanical Drawing

#### Main Board

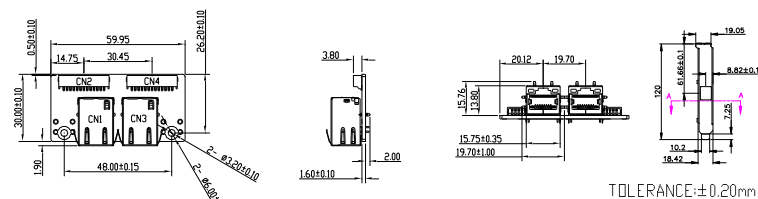


#### Daughter Board

##### EMPL-G202-C1 / EMPL-G202-W1



##### EMPL-G202-C2 / EMPL-G202-W2



### Specifications

Form-Factor	mPCIe
Input I/F	PCI Express 2.1 x 1
Output I/F	Dual GbE LAN
Output Connector	RJ45 x 2
TDP	0.66W (3.3V x 200mA)
Dimension (WxLxH)	30 x 50.95 x 5.8 mm
Temperature	Operation: STD: 0°C ~ +70°C. W/T: -40°C ~ +85°C Storage: -55°C ~ +95°C
Environment	Vibration: 5G @7~2000Hz, Shock: 50G @ 0.5ms
Notes	Please download driver from MyInnodisk website. Windows: XP(32bit), 7(32/64bit), 8/8.1(32/64 bit), 10(32/64bit) Linux: kernel 2.4 series, 2.6.x and 3.x version.

#### Headquarters (Taiwan)

5F., No.237, Sec. 1, Datong Rd.,  
Xizhi Dist., New Taipei City 221,  
Taiwan

Tel: +886-2-7703-3000  
Email: sales@innodisk.com

#### Branch Offices:

##### USA

usasales@innodisk.com  
+1-510-770-9421

##### Europe

eusales@innodisk.com  
+31-040-3045-400

##### Japan

jpsales@innodisk.com  
+81-3-6667-0161

##### China

sales\_cn@innodisk.com  
+86-755-21673689

[www.innodisk.com](http://www.innodisk.com)

© 2017 Innodisk Corporation.  
All right reserved. Specifications  
are subject to change without  
prior notice.

November 22, 2017

### Order information

**EMPL-G202-C1 (Terminal mounting hole, Standard Temp.)**

**EMPL-G202-W1 (Terminal mounting hole, Wide Temp.)**

**EMPL-G202-C2 (Bracket, Standard Temp.)**

**EMPL-G202-W2 (Bracket, Wide Temp.)**

mPCIe to dual isolated GbE LAN horizontal Module