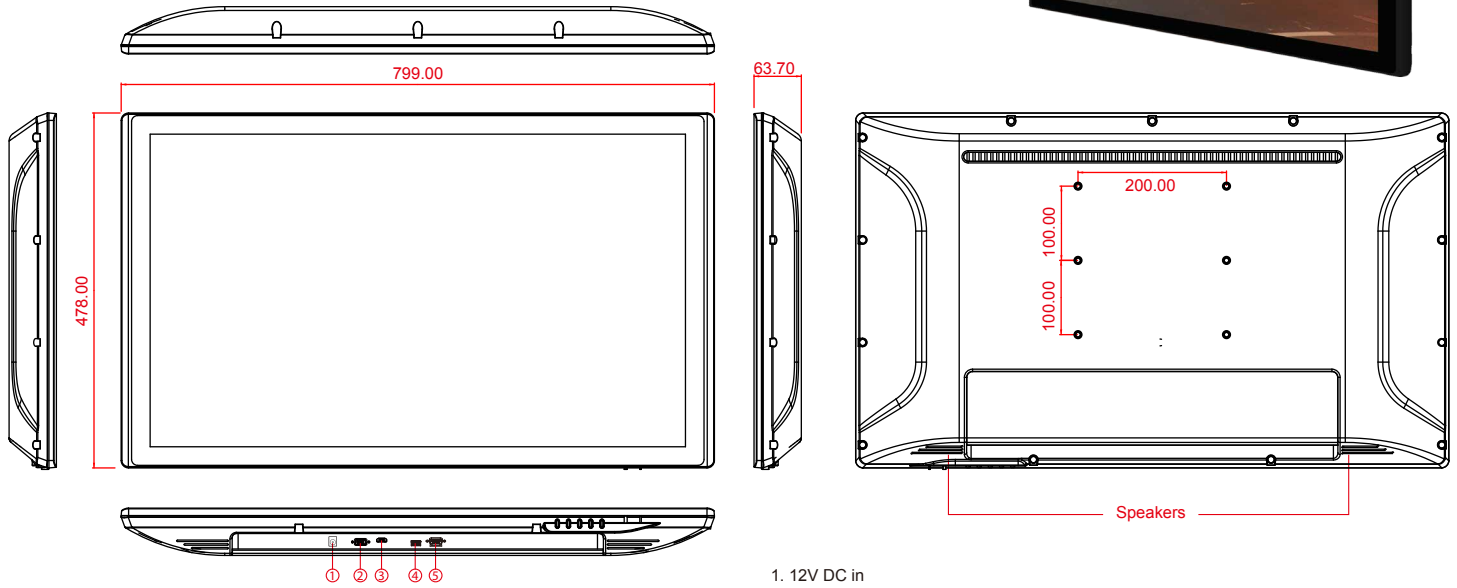


32" P-Cap Chassis Display - W32L100-PTA2

Features

- 32" 1920 x 1080 with P-CAP touchscreen
- Bottom side keys x 5
- Fanless and Ventless design, Easy-to-Clean
- Support VGA, HDMI signal input



* Note: this is a simplified drawing and some components are not marked in detail. Please contact our sales representative if you need further product information.

1. 12V DC in
2. VGA
3. HDMI 1.4
4. USB for touch
5. RS-232 (Optional)

Specifications

Display Spec :

- Size/Type : 32" TFT
- Resolution : 1920 x 1080
- Brightness : 400 nits (typ.)
- Contrast Ratio : 4000 : 1 (typ.)
- Viewing Angle : -89~89(H); -89~89(V)
- Display colors : 16.7M (8 bits/ color)
- Touch : Projected-Capacitive Touch

Power Specification :

- Power Input : 12V DC, with External AC to DC Adapter (100~240V AC)
- Power Consumption : 50W typical, normal operation

Environment Considerations :

- Operating Temperature : 0 °C to 50 °C
- Operating Humidity : 10% to 90% (non-condensing)
- IP Rating : Front IP65

Input Specifications :

- Input Ports : 1 x VGA
1 x HDMI 1.4
- USB Port (Touch) : 1 x USB
- Remote Control : 1 x RS232 (Optional)
- Speaker (Optional) : 2 x 5W speaker

Mechanical Specification :

- Mounting : VESA Mount (100 x 200mm)
(200 x 200mm)
- Dimensions (W x H x D) : 799 x 502.7 x 63.7 (mm)