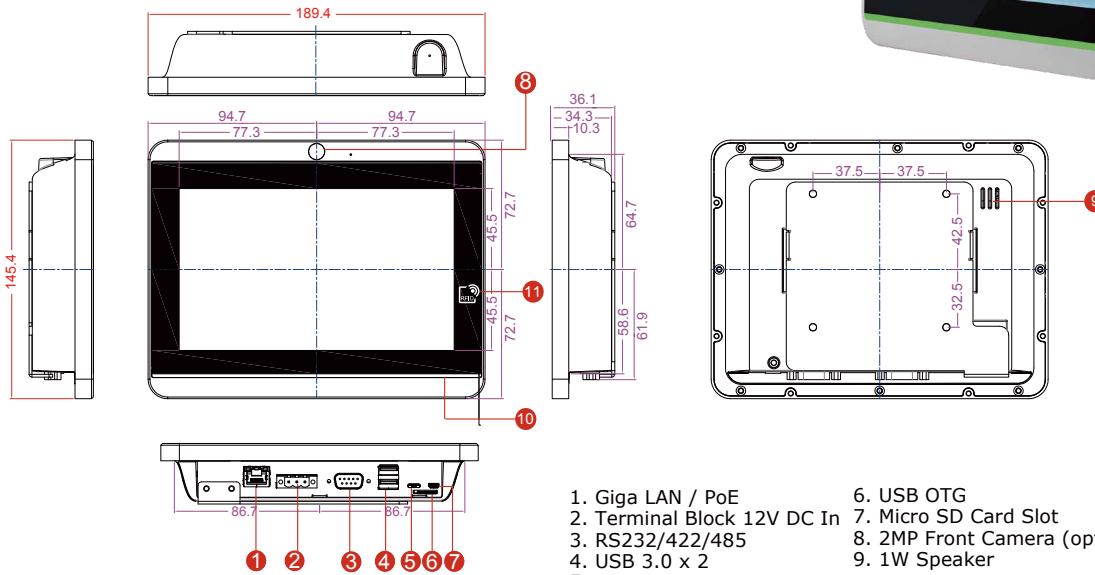


7" S-Series HMI - W07RK3S-PC01AC-PoE

Features

- 7" 1024 x 600 Resolution with Projected Capacitive Multi-Touch (P-CAP)
- Fanless cooling system and ultra-low power consumption
- Built-in RGB LED Light Bar Indicator
- Supports PoE Function
- Optional 2MP Front Camera
- Optional HF RFID Reader
- Stylish design for room booking, access control and room information applications
- Built-in RGB LED Light Bar Indicator



1. Giga LAN / PoE
2. Terminal Block 12V DC In
3. RS232/422/485
4. USB 3.0 x 2
5. Micro HDMI
6. USB OTG
7. Micro SD Card Slot
8. 2MP Front Camera (optional)
9. 1W Speaker
10. RGB LED Light Bar
11. HF RFID Reader (optional)

Specifications

System

- Processor : Arm Cortex-A72 up to 2.0GHz + Quad-core Cortex-A53 up to 1.5GHz
- System Memory : 2GB LPDDR3L 1600 (Optional 4GB LPDDR3L)
- Storage : 16GB eMMC (default), Micro SD Card

Input / Output

- Serial Ports : 1 x RS-232/422/485
- USB Ports : 2 x USB 3.0 host, 1 x USB OTG
- SD Card Slot : 1 x Micro SD Card Slot
- Ethernet : 1 x RJ 45-10/100/1000 Mbps LAN support PoE function
- Speaker : 1 x 1 Watt Speaker
- HDMI : 1 x Micro HDMI

Environment

- Operating Temperature : 0 °C to 50 °C
- Operating Humidity : 10% to 90% (non-condensing)
- IP Rating : Front: IP65 water and dust proof Full: IP22

OS BSP Support

- Operating : Android 7.1 (default)

Display

- Size/Type : 7" TFT (Widescreen)
- Resolution : 1024 x 600
- Brightness : 1000 cd/m (typ.)
- Contrast Ratio : 500:1 (typ.)
- Viewing Angle : -75~75(H); -75~70(V)
- Max Colors : 16.7M
- Touch : Projected Capacitive Multi-Touch (P-CAP)

Mechanical Specification

- Cooling System : Fanless design
- Mounting : VESA Mount (75x75mm), Panel Mount
- Dimensions(W x H xD) : 189.4 x 145.4 x 36.1 (mm)
- Cutout Dimensions (W x D): 131.4 x 175.4 (mm)

Power Considerations

- Power Input : 12V DC
- Power Over Ethernet : Power Device (PD) follows IEEE 802.3at (25 W), IEEE 802.3af (15 W)
- Power Consumption : 10W

Peripheral (Optional)

- RFID : HF RFID Reader 13.56 MHz
- Front Camera : 2MP Front Camera