

FM07E

7inch Windows Vehicle Mounted Computer with Intel® Celeron® N6211



KEY FEATURES

- Intel® Celeron® N6211 Elkhart Lake, Windows Vehicle Mounted Computer
- 7" 1024 x 600 panel with projected capacitive Multi-Touch screen
- Wide power input 9-36V DC with ignition
- M12 waterproof connectors
- IP65 waterproof and dustproof
- Shock and vibration resistance according to MIL-STD-810G



SPECIFICATIONS

Display			
Resolution	1024x600	Size	7 inches
Contrast Ratio	700:1	Panel Brightness	1000 nits
View Angles	75,75,75,70	Active Area	153.6x90 mm
Touch / Glass	Projected Capacitive Multi Touch Screen		
System Specification			
Processor	Intel Celeron N6210 1.2GHz (up to 2.6GHz)	Memory	1 x SO-DIMM, DDR4 3200 MHz, 4GB 8GB (Optional) 16GB (Optional)
Storage	1 x M.2 2242 SSD 128GB	Ethernet controller	1 x Intel® Ethernet Controller
Security	TPM 2.0	Operating System	Windows 10 IoT Enterprise (64 bit) Linux Ubuntu 20.04 (Optional)
WLAN	Support	BT	Support
WWAN	4G/LTE (Optional)	GNSS	GPS, GLONASS
Environment			
Operating Humidity	10% to 95% RH	Operating Temperature	-20°C~60°C
Storage Temperature	-20°C~60°C	Shock	MIL-STD-810G Method 516.6 Procedure I
Vibration	MIL-STD-810G Method 514.6 Procedure I	IP rating	IP65, Dustproof and Waterproof
Certification			
Certification	CE, FCC		
IO Ports			
USB Port	2 x USB for DB9	Serial Port	1 x COM Port
SIM Card Slot	1 x SIM Card Slot	Audio	1x Speaker
LAN	1 x Gigabit Ethernet LAN 10/100/100 Mbps (M12 type)	Front Control	5 x Function Key
Indicator	Power, HD	DIDO	DIDO (5XDI ; 3XDO)
CANBUS	2 x CANBUS		
Control			
Button	1 x Power Button, 5x Function Button (Programmable Function Key Configured by		

Winset)

Mechanical

Dimension	190 x 146 x 40 mm	Weight	1.25 kg
Mounting	RAM Mount	Cooling System	Fanless Design

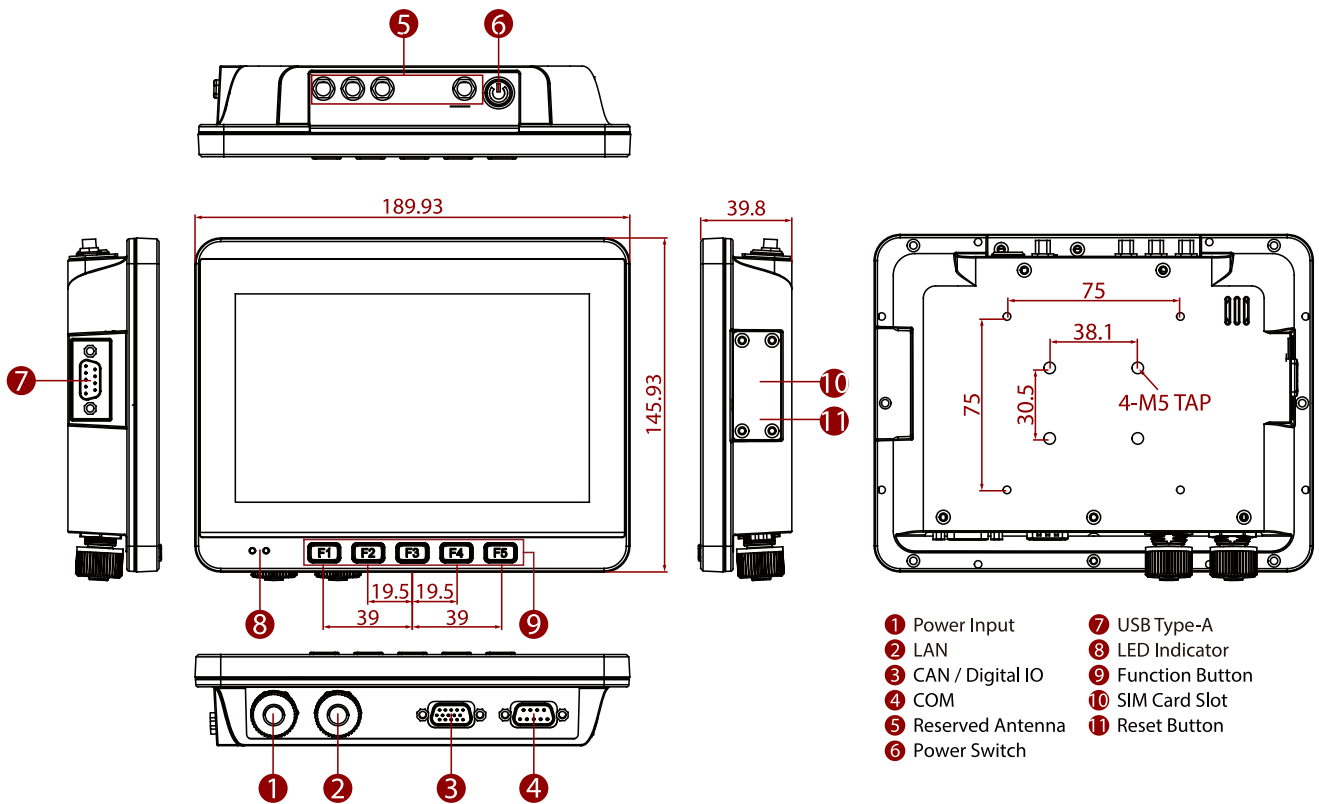
Accessory

Accessory	User Guide M12 LAN Cable, 1.8m RS-232 Cable, 1.8m M12 Power Cable, 1.8m USB Cable, 0.3m CANBus and DIDO Cable, 1.8m WLAN Antenna Power Converter Cable Power Adapter	Optional Accessory	WWAN Antenna x 2 (Optional) Audio Cable, 0.3m (Optional) GPS Antenna, 3m (Optional)
------------------	--	---------------------------	---

Power

Power Rating	9V-36V, with ignition control
---------------------	-------------------------------

DIMENSIONS UNIT:MM



NOTE

1. Total usable memory will be less dependent upon actual system configuration.
2. Length measurements do not include protrusions. Weight varies with options.
3. Accessories may vary depending on your configuration.
4. This is a simplified drawing and some components are not marked in detail.
5. The product shown in this datasheet is a standard model. For diagrams that contain customized or optional I/O, please contact the Winmate Sales Team for more information.