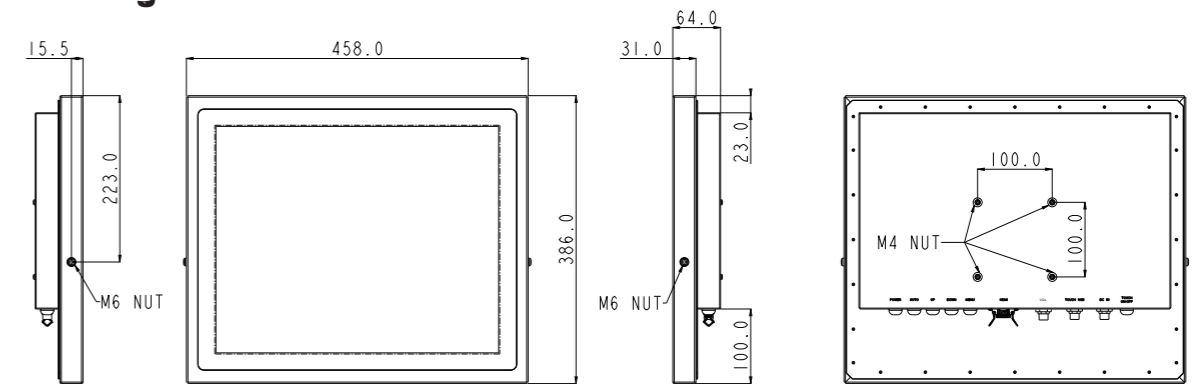




Key Features

- True Flat Front Bezel and Grade 304
- Stainless Steel Enclosure (Grade 316 for Option).
- IP69K/ IP67 Rated with M12 Connectors.
- Touch on/off Button on Bottom Side for Hygienic Cleaning.
- 5-Wire Resistive Full Flat Touch Screen
- Chassis Type
- 100% Water/ Dust Proof Guarantee
- Downward I/O for Easy Installation and Space Saving
- EMC Class B Applicable

Outline Drawing



LCD Panel

Size	19" 5:4
Resolution	1280 x 1024 (SXGA)
Color Numbers	16.7M colors
Viewing Angle	170 (H) / 160 (V)
Contrast	1000:1
Brightness	350 nits

Touch Panel

Type	Resistive touch, 5-wire
Light Transmission	80 ± 5%
Hardness	3H
Life Time	35 M hrs

I/O & Power & Control Keys

USB	1 x M12 8pin for touch screen
Graphic	1 x for VGA input (M12 connector)
HDMI	1 x HDMI v1.4 input
Power	1 x M12 5pin DC power connector
Power Input	DC-12V
Power Adaptor	AC input 90 ~ 264V/ 47~63Hz/ DC output 12V / 60W, IP67
Control Keys	Touch on/ off x 1(bottom side) Power on/ off x 1(bottom side)

Mechanical & Environmental

Housing	SUS304 stainless steel enclosure, chassis type
IP Rating	IP66 / NEMA4 IP69K / NEMA6 (Options for IP67)
Cooling	Fanless
Dimensions	458 (W) x 386 (H) x 64 (D) (mm x mm)
Weights(Net)	14.0 kg
Temperature	Operating -10~55°C (IEC60068-2-56, air flow cooling) Storage -30~70°C
Humidity	Operating Humidity 10%~90%, non-condensing Storage Humidity 10%~90%, non-condensing
Mounting	VESA 100 x100 mm x mm site mount (M6*2)
Certification	CE / VCCI / FCC class B

External OSD Buttons

Menu	OSD on and enter
Down	move down for selecting
Up	move up for selecting
Auto	OSD off, and source change

Options

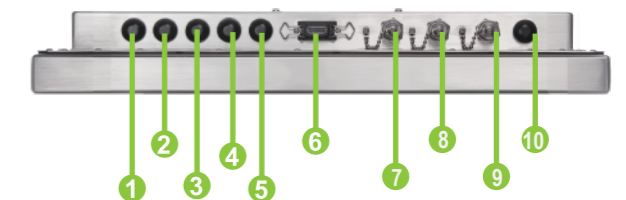
- DC power cable
- wall mount/ table mount bracket
- SUS316 enclosure
- IP67
- full flat PCT touch screen
- DP to HDMI converter

Customization

- Sunlight readable optical bonding
- 1000 nits high brightness LCD
- HDMI connection w/ WTP series

Packing List:

- WTD-19 touch display x 1
- DVD -Title for driver and manual x 1
- Power adapter x 1
- Power cord x 1
- VGA input cable / HDMI input cable
- Touch screen cable



- | | |
|---------|-----------------|
| 1 Power | 6 HDMI |
| 2 Auto | 7 VGA port |
| 3 Up | 8 USB for touch |
| 4 Down | 9 DC-in |
| 5 Menu | 10 Touch on/off |

Ordering Information

WTD-19-FDN	W/5-wire RES Touch	19"Full Flat Touch IP69K Chassis Stainless Display
------------	--------------------	--

