

# LPC-P104S-1X

10.4" P-cap Panel PC with 7th/6th Gen Kaby Lake-U/Skylake-U Core™ i7/i5/i3, IP65 / 66 Bezel-Free and Wide Range Power Input



## Features

- ▶ 7th/6th Gen Kaby Lake-U/Skylake-U Core™ i7/i5/i3
- ▶ IP65 / 66 Front Panel
- ▶ Bezel-Free Design
- ▶ 10.4" P-cap Flat Bezel
- ▶ Fanless Design
- ▶ 3-Pin Power Input Terminal Block
- ▶ DC 9~36V Wide Range Power Input
- ▶ 1024\*768 Resolution
- ▶ 350 nits LED Backlight
- ▶ Optional 1000 nits LED Backlight
- ▶ Optional to Resistive Touch

### System

Processor	7th/6th Gen Kaby Lake-U/Skylake-U Core™ i7/i5/i3
System Memory	DDR4 2133 MHz SO-DIMM, up to 16 GB
External I/O Port	4 x USB 3.0 2 x GbE LAN (I210-AT & I219LM, AMT 11.x supported)
	1 x Display Port 1 x HDMI
	3 x RS-232 1 x RS-232/422/485(COM1)
	1 x Audio
	1 x Power press button 1 x 3-Pin Power Input
Storage	2 x SATA3 (6.0Gb/s) 1 x mSATA (full size mini-PCIe)
Operating System	6th Gen CPU for Win 7 Pro/ WES7 / Win 8 / Win 10 7th Gen CPU for Win 10
Expansion	2 x MiniPCIe Slot

### LCD

Display Type	10.4" TFT LCD
Max. Resolution	1024*768
Max. Color	16.2M
Luminance	350 nits
View Angle	75/75/75/75
Backlight Lifetime	30,000 hours

### Power Requirement

Power Input	3-Pin Power Input Terminal Block DC 9~36V Wide Range Power Input
-------------	---

### Touch Screen

Type	10.4" P-cap USB
------	-----------------

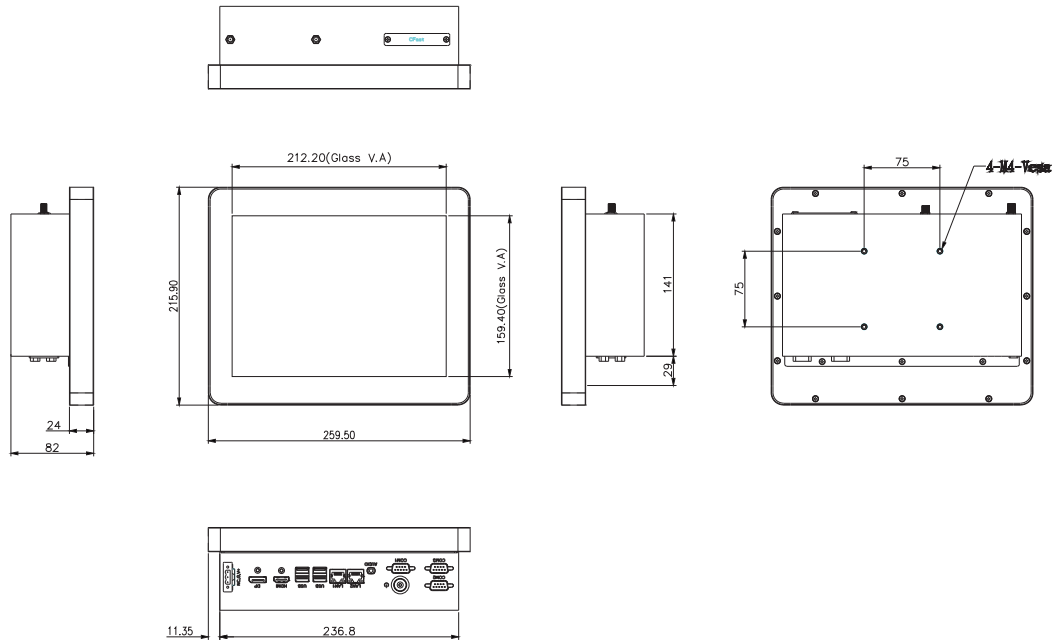
### Environment

Operating Temp	-20~60 °C , IEC-60068-2-1/2/14
Storage Temp	-30~70 °C
Humidity	10~90% @40 °C, non-condensing
EMC	FCC / CE Class A Certification CE Class B Compliant
Vibration	1.5 Grms @10~500Hz, IEC-60068-2-64

### Mechanical

Construction	Aluminum Front Bezel and Metal Case
IP Rating	Front Panel IP65 / IP66 Compliant
Mounting	VESA / Panel Mount
Dimension	TBC

## Dimension & I/O Connector



### Ordering Information

LPC-P104S-15	10.4" P-cap Panel PC with i3-6100U, 1024 x 768 Resolution, 350 nits, DC9~36V Power Input, including a 3-Pin Power Adapter (12V/7.5A)
LPC-P104S-16	10.4" P-cap Panel PC with i5-6300U, 1024 x 768 Resolution, 350 nits, DC9~36V Power Input, including a 3-Pin Power Adapter (12V/7.5A)
LPC-P104S-17	10.4" P-cap Panel PC with i7-6600U, 1024 x 768 Resolution, 350 nits, DC9~36V Power Input, including a 3-Pin Power Adapter (12V/7.5A)
LPC-P104S-18	10.4" P-cap Panel PC with i5-7300U, 1024 x 768 Resolution, 350 nits, DC9~36V Power Input, including a 3-Pin Power Adapter (12V/7.5A)
WFK-024	WiFi kits w/ cable & Antenna (2.4GHz, 802.11 b/g/n, 1T1R)
WFK-524	WiFi kits w/ cable & Antenna (2.4 & 5GHz, 802.11 a/b/g/n/ac + BT, 2T2R)
04-US-26-00002	120 W / 24V power adapter with 3 pin terminal block (For High Brightness Model)

### Ordering Code

LPC-P101W-1X Series    -H / -OB / -G / -AG / -AR / -B / -V

H = High Brightness 1000 nits LED backlight

OB = Optical Bonding

G = Glass without touch

AG = Anti-Glare

AR = Anti-Reflection

V = Vandal Proof Glass (By Project)