

USB Drive

3SE Series

Customer:

Customer

Part Number:

Innodisk

Part Number:

Innodisk

Model Name:

Date:

Innodisk Approver	Customer Approver

**The Total Solution For
Industrial Flash Storage**

Table of contents

TABLE OF CONTENTS	2
LIST OF FIGURES	4
LIST OF TABLES	5
1. PRODUCT OVERVIEW	6
1.1 INTRODUCTION OF USB DRIVE	6
1.2 PRODUCT VIEW	6
1.3 PRODUCT MODELS	6
1.4 CAPACITY	6
2. THEORY OF OPERATION	7
2.1 OVERVIEW	7
2.2 ERROR DETECTION AND CORRECTION	7
2.3 WEAR-LEVELING	7
2.4 BAD BLOCKS MANAGEMENT	8
3.1 CE AND FCC COMPATIBILITY	9
3.2 RoHS COMPLIANCE	9
3.3 ENVIRONMENTAL SPECIFICATIONS	9
3.4 GOLDEN FINGER	10
3.5 PIN ASSIGNMENT	10
3.7 WEIGHT	11
3.8 PERFORMANCE	11
3.9 NAND FLASH MEMORY	11
4. ELECTRICAL SPECIFICATIONS	12
4.1 POWER REQUIREMENT	12
4.2 POWER CONSUMPTION	12
4.3 DEVICE PARAMETERS	12
5. PART NUMBER RULE	13

REVISION HISTORY

Revision	Description	Date
Pre.	First Release	April, 2014
1.0	Modify ECC description	May, 2014

List of Figures

FIGURE 1: USB DRIVE 3SE.....	6
FIGURE 2: USB DRIVE 3SE BLOCK DIAGRAM.....	7
FIGURE 3: USB DRIVE 3SE MECHANICAL DIMENSIONS.....	11

List of Tables

TABLE 1: SHOCK/VIBRATION TESTING FOR USB DRIVE 3SE	9
TABLE 2: USB DRIVE 3SE MTBF	10
TABLE 3: USB DRIVE 3SE TBW	10
TABLE 4: USB DRIVE 3SE PIN ASSIGNMENT	10
TABLE 5: USB DRIVE 3SE POWER REQUIREMENT	12
TABLE 6: POWER CONSUMPTION	12
TABLE 7: DEVICE PARAMETERS	12

1. Product Overview

1.1 Introduction of USB Drive

The Innodisk USB Drive products provide high capacity USB flash memory storage that electrically complies with High-speed USB 3.0 interface & backward compatible with USB 2.0. The device features attractive small form factor and the connectivity over USB3.0 and the NAND flash architecture provide a faster data transmission.

1.2 Product View



Figure 1: USB Drive 3SE

1.3 Product Models

USB Drive 3SE is available in follow capacities.

- USB Drive 3SE 4GB
- USB Drive 3SE 8GB
- USB Drive 3SE 16GB
- USB Drive 3SE 32GB

1.4 Capacity

USB Drive 3SE provides unformatted from 4GB up to 32GB capacities within SLC Flash IC.

2. Theory of operation

2.1 Overview

Figure 2 shows the operation of USB Drive 3SE from the system level, including the major hardware blocks.

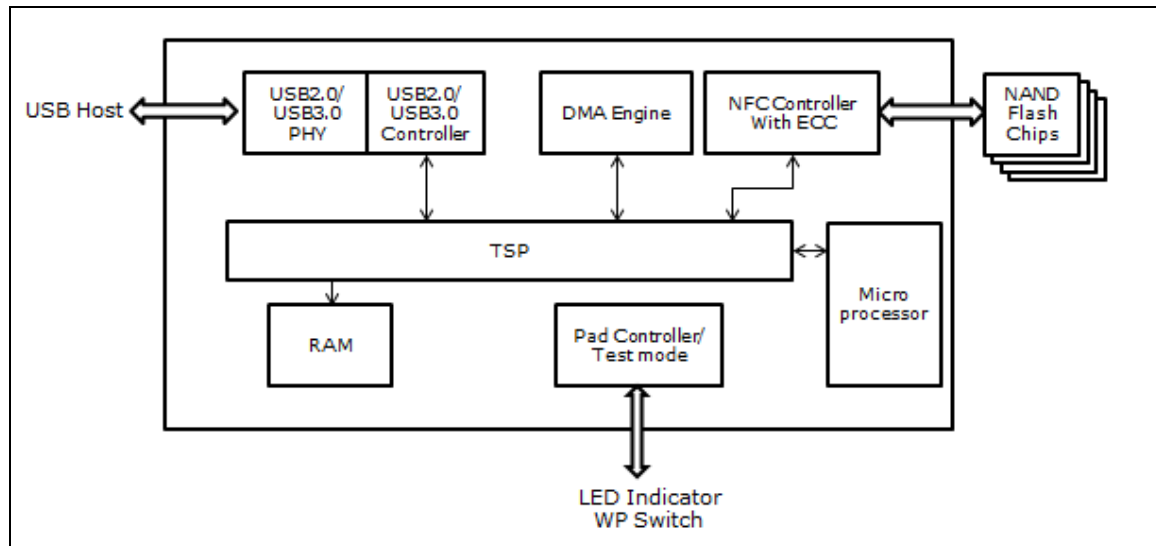


Figure 2: USB Drive 3SE Block Diagram

USB Drive 3SE integrates a USB3.0 controller and NAND flash memories. Communication with the host occurs through the host interface. Communication with the flash device(s) occurs through the flash interface.

2.2 Error Detection and Correction

Highly sophisticated Error Correction Code algorithms are implemented. The ECC unit consists of the Parity Unit (parity-byte generation) and the Syndrome Unit (syndrome-byte computation). This unit implements an algorithm that can correct 60 bits per 1024 bytes in an ECC block. Code-byte generation during write operations, as well as error detection during read operation, is implemented on the fly without any speed penalties.

2.3 Wear-Leveling

Flash memory can be erased within a limited number of times. This number is called the *erase cycle limit* or *write endurance limit* and is defined by the flash array vendor. The erase cycle limit applies to each individual erase block in the flash device.

USB Drive 3SE uses a static wear-leveling algorithm to ensure that consecutive writes of a specific sector are not written physically to the same page/block in the flash. This spreads flash media usage evenly across all pages, thereby extending flash lifetime.

2.4 Bad Blocks Management

Bad Blocks are blocks that contain one or more invalid bits whose reliability are not guaranteed. The Bad Blocks may be presented while the SSD is shipped, or may generate during the life time of the SSD. When the Bad Blocks is detected, it will be flagged, and not be used anymore. The SSD implement Bad Blocks management and replacement, Error Correct Code to avoid data error occurred. The functions will be enabled automatically to transfer data from Bad Blocks to spare blocks, and correct error bit. After the reserved block less than 40, the SSD will be locked, and cannot be written anymore.

3. Specifications

3.1 CE and FCC Compatibility

USB Drive 3SE conforms to CE and FCC requirements.

3.2 RoHS Compliance

USB Drive 3SE is fully compliant with RoHS directive.

3.3 Environmental Specifications

3.3.1 Temperature Ranges

Operating Temperature Range:

- Standard Grade: 0°C ~ +70°C
- Industrial Grade: -40°C ~ +85°C

Storage Temperature Range:

- Standard Grade: -55°C to +95°C

3.3.2 Humidity

Relative Humidity: 10-95%, non-condensing

3.3.3 Shock and Vibration

Reliability	Test Conditions	Reference Standards
Vibration	7 Hz to 2K Hz, 20G, 3 axes	IEC 68-2-6
Mechanical Shock	Duration: 0.5ms, 1500G, 3 axes	IEC 68-2-27

Table 1: Shock/Vibration Testing for USB Drive 3SE

3.3.4 Mean Time between Failures (MTBF)

Table 2 summarizes the MTBF prediction results for various USB Drive 3SE configurations. The analysis was performed using a RAM Commander™ failure rate prediction.

- Failure Rate: The total number of failures within an item population, divided by the total number of life units expended by that population, during a particular measurement interval under stated condition.
- Mean Time between Failures (MTBF): A basic measure of reliability for repairable items: The mean number of life units during which all parts of the item perform within their specified limits, during a particular measurement interval under stated conditions.

Product	Condition	MTBF (Hours)
USB Drive 3SE	Telcordia SR-332 GB, 25°C	>3,000,000

Table 2: USB Drive 3SE MTBF

3.3.5 Terabyte Written (TBW)

Parameter	Value
Flash Endurance	100,000 P/E cycles
TBW(Sequential Write)	
4GB	360
8GB	720
16GB	1440
32GB	2880

Table 3: USB Drive 3SE TBW

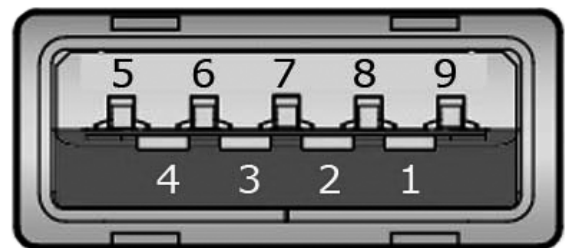
3.4 Golden finger

30μ”

3.5 Pin Assignment

USB Drive 3SE is designed within USB3.0 Interface. Particularly, its built-in power pin enables the device more compactable. Table 4 demonstrates USB Drive 3SE pin assignments.

Pin Number	Signal Name	Description
1	VBUS	Power
2	D-	USB 2.0 differential pair
3	D+	
4	GND	Ground for power return
5	StdA_SSRX-	SuperSpeed receiver differential pair
6	StdA_SSRX+	
7	GND_DRAIN	Ground for signal return
8	StdA_SSTX-	SuperSpeed transmitter differential pair
9	StdA_SSTX+	
Shell	Shield	Connector metal shell



Note: Tx and Rx are defined from the host perspective

Table 4: USB Drive 3SE Pin Assignment

3.6 Mechanical Dimensions

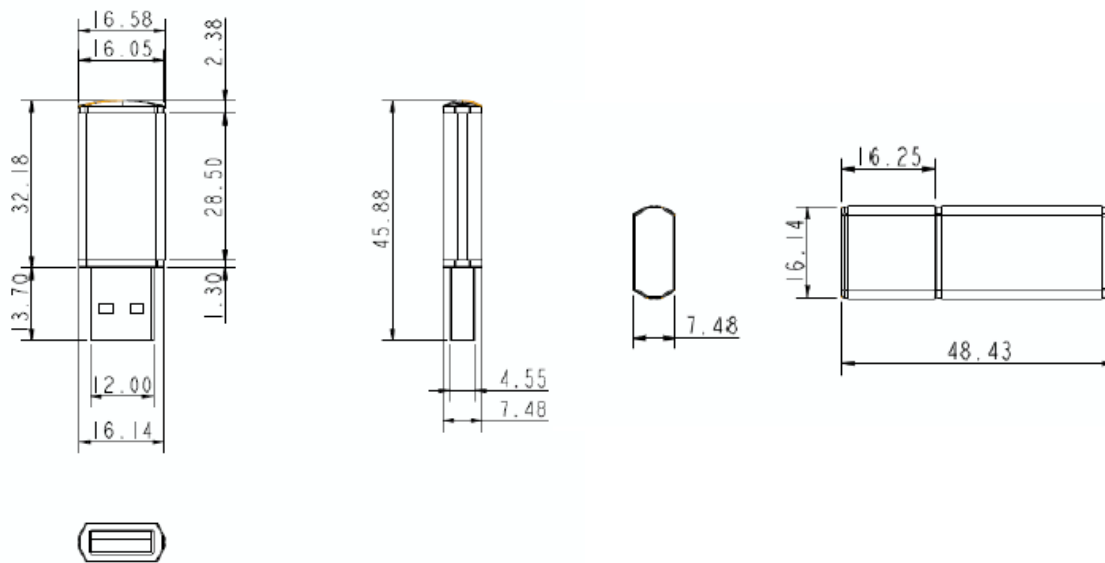


Figure 3: USB Drive 3SE mechanical dimensions

3.7 Weight

10g±2

3.8 Performance

Product name		4GB	8GB	16GB	32GB
USB Drive 3SE	Sequential Read (Max.)	100 MB/S	100 MB/S	100 MB/S	100 MB/S
	Sequential Write (Max.)	60 MB/S	75 MB/S	85 MB/S	85 MB/S

3.9 NAND Flash Memory

USB Drive 3SE uses Single Level Cell (SLC) NAND flash memory, which is non-volatility, high reliability which has 100,000 program/erase times and high speed memory storage.

4. Electrical Specifications

4.1 Power Requirement

Item	Symbol	Rating	Unit
Input voltage	V_{IN}	+5 DC +- 5%	V

Table 5: USB Drive 3SE Power Requirement

4.2 Power Consumption

Mode	Power Consumption (mA)
Read	131 (max.)
Write	155 (max.)
Idle	67 (max.)

Table 6: Power Consumption

4.3 Device Parameters

Capacity	LBA	User capacity
4GB	8105984	3958MB
8GB	16211968	7916MB
16GB	32473088	15856MB
32GB	64962560	31720MB

Table 7: Device parameters

5. Part Number Rule

	1	2	3	4	5	6	7	8	9	10	11	12	13	14	15	16	17	18	19	20
	D	E	U	A	1	-	0	8	G	I	6	1	S	C	A	S	B			
Description	Disk	Form Factor			-	Capacity			Category			Flash mode	Operation Temp.	PCB Version	Channel	Flash	Customized Code			
Definition																				
Code 1st (Disk)										Code 14th (Operation Temperature)										
D: Disk										C: Standard Grade (0°C ~ +70°C)										
Code 2nd ~ 5th (Form Factor)										W: Industrial Grade (-40°C ~ +85°C)										
EUA1: USB Drive										Code 15th (Internal control)										
Code 7th ~9th (Capacity)										A~Z: BGA PCB version.										
04G: 4GB																				
08G: 8GB										Code 16th (Channel)										
16G: 16GB										S: Single										
32G: 32GB																				
Code 10th ~12th (Category)										Code 17th (Flash)										
I61: USB 3SE series										B: Toshiba SLC										
Code 13th (Flash mode)																				
S: Sync. Flash																				



宜鼎國際股份有限公司

Tel:(02)2696-3000 Fax:(02)2696-2000 Internet: <http://www.innodisk.com/>

RoHS 自我宣告書 (RoHS Declaration of Conformity)

- 一、 宜鼎國際股份有限公司（以下稱本公司）特此保證售予貴公司之所有產品，皆符合歐盟 2002/95/EC 關於 RoHS 之規範要求。

InnoDisk Corporation declares that all products sold to the company, are complied with European Union RoHS Directive (2002/95/EC) requirement

- 二、 本公司同意因本保證書或與本保證書相關事宜有所爭議時，雙方宜友好協商，達成協議。

InnoDisk Corporation agrees that both parties shall settle any dispute arising from or in connection with this Declaration of Conformity by friendly negotiations.

Name of hazardous substance	Limited of RoHS ppm (mg/kg)
Cd	< 100 ppm
Pb	< 1000 ppm
Hg	< 1000 ppm
Chromium VI (Cr+6)	< 1000 ppm
Polybromodiphenyl ether (PBDE)	< 1000 ppm
Polybrominated Biphenyls (PBB)	< 1000 ppm

立保證書人

Company name 公司名稱：InnoDisk Corporation 宜鼎國際股份有限公司

Company Representative 公司代表人：Richard Lee 李鐘亮

Company Representative Title 公司代表人職稱：Chairman 董事長

Date 日期：2011 / 10 / 20

