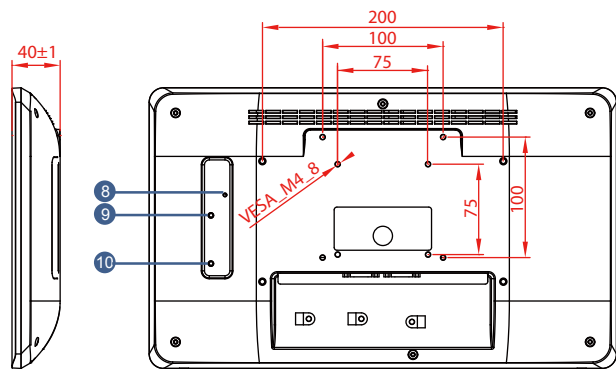
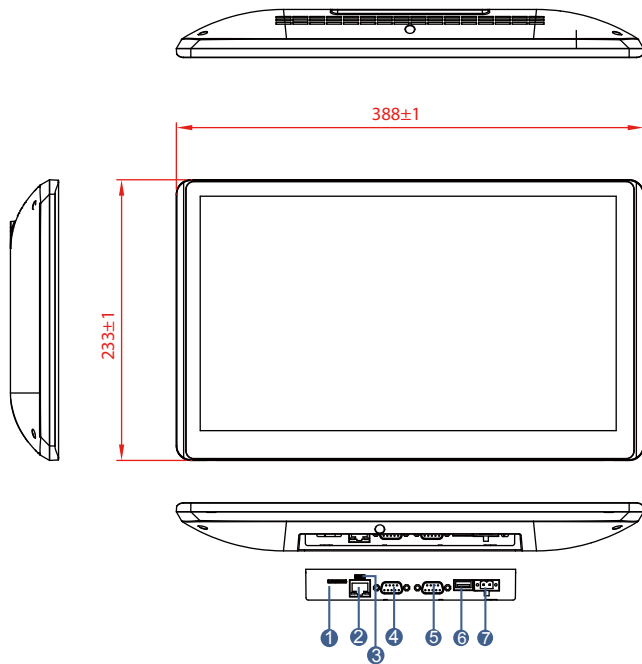


# 15.6" Multi-Touch HMI Series- W15FA3S-PTA3

## Features

- 15.6" 1920 x 1080 with P-CAP touchscreen
- Freescale™ Arm® Cortex®-A9 i.MX6 Dual Core 1GHz
- Fanless cooling system and ultra low power consumption
- Front IP65 for protection against water and dust
- A true flat, easy-to-clean front surface with edge-to-edge design
- Plastic Housing
- Plenty of I/O, including 1 x LAN, 1 x RS232, 1 x USB 2.0, 1 x USB OTG, 1 x CANBUS



- |  |                               |
|--|-------------------------------|
| 1. Micro SD  | 6. 1 x USB 2.0                |
| 2. RJ45 (LAN or Optional PoE)                              | 7. 12V DC (2pin Phoenix type) |
| 3. USB OTG – Connect to PC for client use and update Image | 8. Power LED Indicator        |
| 4. CANBUS (DB9)  | 9. Power Button               |
| 5. RS-232/422/485 (DB9)                                    | 10. Reset Button              |

## Specifications

### System

- Processor : Freescale™ Arm® Cortex®-A9 i.MX6 Dual Core 1GHz
- System Memory : 1GB LPDDR3
- Storage : Onboard 16GB eMMC(default) /Micro SD card

### Input / Output

- Serial Ports : 1 x RS-232/422/485, 1 x CANBUS (DB9)
- USB Ports : 1 x USB 2.0, 1 x USB OTG – Connect to PC for client use and update Image
- Ethernet : 1 x RJ45-10/100/1000 Mbps (LAN or Optional PoE)
- Speaker : 2 x 1 Watt speaker
- SD Card : 1 x Micro SD Card Reader

### Environment

- Operating Temperature : 0 °C to 50 °C
- Operating Humidity : 10% to 95% (non-condensing)
- IP Rating : Front IP65

### Power Specification

- Power Input : 12V DC in Terminal Block 2 Pin (Phoenix Type)
- Optional Power Over Ethernet : Power Device (PD) follows IEEE 802.3at (25 W)
- Power Consumption : 13 W typical, normal operation

### Display Spec :

- Size/Type : 15.6" TFT
- Resolutions : 1920x1080
- Brightness : 300cd/m2 (typ.)
- Contrast Ratio : 800 : 1 (typ.)
- Viewing Angle : -85~85(H);-85~85(V)
- Max Colors : 262K
- Touch : Projected Capacitive Touch

### Mechanical Specification :

- Mounting : VESA Mount (100 x 200, 100 x 100, 75 x 75 mm)
- Dimensions (W x H x D) : 388 x 233 x 40 mm
- Appearance : Back cover color White Plastic casing

### Operating System

- Android 6.0 (Default)
- Linux 4.1.15 , QT 5.5 (Optional)
- Ubuntu 16.04 (Optional)