

# W22IT7T-IPA3

## 21.5" Intel® Core™ i5 (Tiger Lake) Front IP65 Panel PC



### KEY FEATURES

- 21.5" 1920 x 1080 Resolution
- Intel® Core™ Tiger Lake UP3 i5-1135G7 (Without vPro) / Intel® Core™ Tiger Lake UP3 i5-1145G7E (With vPro)
- Multi display supports DP / HDMI / LVDS / eDP panel interface
- Multiple I/Os, 2 x Serial Ports, 4 x USB 3.2 Gen. 1 Ports
- 12V Single Voltage Power Input
- Front IP65 water and dust proof

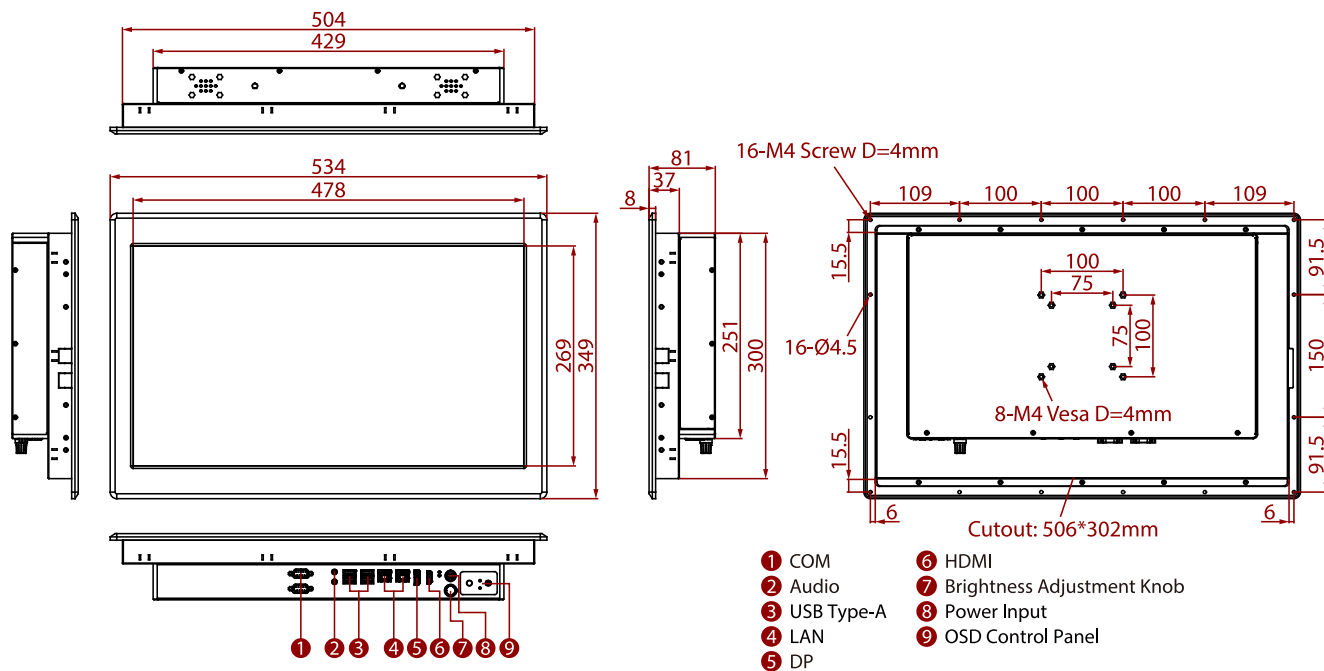


### SPECIFICATIONS

Display	
<b>Resolution</b>	1920x1080
<b>Contrast Ratio</b>	3000:1
<b>View Angles</b>	89, 89, 89, 89
<b>Touch / Glass</b>	Resistive Touch Screen (Optional) Protection Glass Without Touch Function (Optional)
<b>Size</b>	21.5 inches
<b>Panel Brightness</b>	250 nits
<b>Active Area</b>	476.64x268.11 mm
System Specification	
<b>WLAN</b>	Support (Optional)
<b>Processor</b>	Intel Core i5-1135G7 2.4GHz (up to 4.2GHz) Intel Core i5-1145G7 2.6GHz (up to 4.4GHz) (Optional)
<b>Memory</b>	1 x SO-DIMM, DDR4 3200 MHz, 4GB 8GB (Optional) 16GB (Optional) 32GB (Optional) 2 x SO-DIMM, DDR4 3200 MHz, 4GB (Optional) 8GB (Optional) 16GB (Optional) 32GB (Optional) 64GB (Optional)
<b>Storage</b>	1 x M.2 M-Key 2242 SATA SSD or 1 x M.2 M-Key 2280 NVMe SSD 128GB 256GB (Optional) 512GB (Optional) 1TB(for NVMe) (Optional) 2TB(for NVMe) (Optional) 4TB(for NVMe) (Optional) 1 x SATA III , up to 2TB (Optional)
<b>Ethernet controller</b>	2 x Intel® Ethernet Controller
<b>Security</b>	TPM 2.0
<b>Operating System</b>	Windows 11 IoT Enterprise SAC (64 bit) (Optional) Windows 10 IoT Enterprise (64 bit) (Optional) Linux Ubuntu 22.04 (Optional)
Mechanical	
<b>Dimension</b>	534 x 349 x 81 mm
<b>Mounting</b>	Open Frame Panel Mount VESA Mount
<b>Enclosure</b>	Metal Housing
<b>Cooling System</b>	Fanless design
<b>Cut out</b>	506 x 302mm
Environment	
<b>Operating Humidity</b>	10% to 90% RH, Non-Condensing
<b>Operating Temperature</b>	0°C to 50°C

<b>Storage Temperature</b>	-10°C to 60°C	<b>IP rating</b>	Front IP65
<b>Certification</b>			
<b>Certification</b>	CE, FCC		
<b>IO Ports</b>			
<b>Power Input</b>	1 x 12V DC, Din4 pin connector	<b>USB Port</b>	4 x USB3.2 Gen1x1 (Type-A)
<b>Serial Port</b>	1 x RS232/422/485 (Default RS232) 1 x RS232	<b>Video</b>	1 x DP1.4 1 x HDMI 2.0 (Optional)
<b>Audio</b>	Mic in Line out	<b>Expansion Port</b>	1 x M.2 2242/2280 Key M slot for SATA/NVMe SSD 1 x M.2 2230 Key E slot for WiFi (Optional)
<b>LAN</b>	2 x Giga LAN RJ45 Connector	<b>Indicator</b>	1 x LED Indicator for power 1 x LED Indicator for storage
<b>Brightness Knob</b>	1 x Brightness Adjustment Knob		
<b>Control</b>			
<b>Button</b>	1 x Power Button 1 x Reset Button		
<b>Accessory</b>			
<b>Accessory</b>	100~240V AC to DC Adapter Power Cord VESA screws		
<b>Power</b>			
<b>Power Rating</b>	12V DC	<b>Adapter</b>	12V 120W

## DIMENSIONS UNIT:MM



## NOTE

1. Measurements shown in mm
2. Tolerance of all dimensions is shown as follow 0~30 mm  $\pm$  0.1 mm, 30~50 mm  $\pm$  0.15 mm, 50~120 mm  $\pm$  0.2 mm, above 120 mm  $\pm$  0.25 mm
- Note: this is a simplified drawing and some components are not marked in detail.
3. Please, contact our sales representative if you need further product information.
4. The product shown in this datasheet is a standard model. For diagrams that contain customized or optional I/O, please contact the Winmate Sales Team for more information.