

Military Grade Rack Mount LCD

Rack Mount LED Monitor

32"

Specifications



Model Name	W32L100-RKA3ML-EXT
Backlight	LED
Viewable Size Image	32"
Active Display Area(mm)	698.4(H)x 392.85 (V)
Pixel Pitch(mm)	0.3637(H) x 0.3637(V)
Number of Pixels	1920 x 1080
Contrast Ratio	3000:1(typ.)
Response Time	5 ms
Refresh Rate	min. 100Hz
Display Color	1.07 Billion (colors)
Brightness(cd/m ²)	350 (typ)
Viewing Angle(CR>=10)	-89~89(H); -89~89(V)
Synchronization Range Horizontal/Vertical	31.5~80.0KHz/60~75Hz
Recommended Resolution	1920 x 1080 @60Hz
Signal Input	1 x D-Sub15 (VGA) 1 x DVI-D 1 x HDMI
Power Source	AC 100~240V, Universal, ±10% DC 24V, ±10% (Optional)
Power Consumption	53W typical, normal operation
Power Management	VESA DPMS Compliant
Plug & Play	VESA DDC 1/2B
Protection Glass	AR Glass



- Anti-Corrosion Housing / Fanless
- Compliant with MIL-STD-810G/F
- Convenient On-Screen Display Controls
- 220V ±10%, 50 ± 3% Hz
- Built-in Light Sensor for auto brightness control
- Military Grade Power Connector (MIL-DTL-38999/1)
- Standard AR Glass

Environmental(MIL-STD 810F/G Compliance)

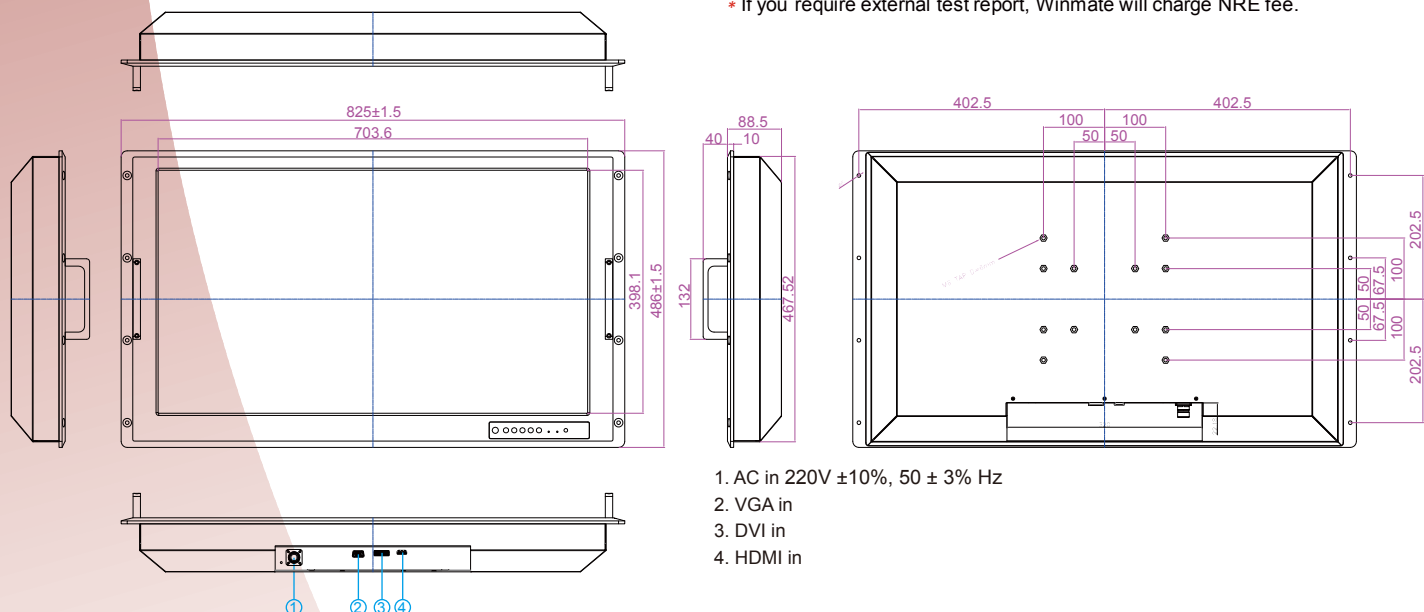
Vibration	MIL-STD-810F/G Method 514.5
Humidity	MIL-STD-810F/G Method 507.4
High Temperature	Storage:MIL-STD-810F/G Method501.4 Operation:MIL-STD-810F/G Method501.4
Low Temperature	Storage:MIL-STD-810F/G Method502.4 Operation:MIL-STD-810F/G Method502.4
Operating Temperature	-15~50°C
Operating Humidity	95%RH ±3%
IP Rating	Front IP65, Back IP54

Environmental(MIL-461E/F Compliance)

RE	RE101 / RE102
CE	CE 101 / CE102

* If you require external test report, Winmate will charge NRE fee.

Mechanical Drawing



1. AC in 220V ±10%, 50 ± 3% Hz
2. VGA in
3. DVI in
4. HDMI in