

R15L100-SPC369-P, 15-inch Stainless P-Series Display

Stainless IP69K with Waterproof Conduit Solutions

Winmate provides 15-inch IP69K Stainless Steel Display with a waterproof conduit pipe for added cable protection. The IP69K series is built to withstand extensive wash downs with corrosion resistance against cleaning agents, especially against close-range high-pressure, high temperature wash downs. The level of protection allows for easy cleaning and sterilization using water with temperatures of up to 80°C and pressure of up to 30 Bar. A custom-built waterproof conduit pipe was also provided for the customer with a cover plate, allowing for an additional layer of protection for the cables.



** Yoke mount Stand kit is an option. accessory.*

Highlights

- Projected capacitive multi-touch screen
- Waterproof Conduit pipe for extra protection
- True flat, easy-to-clean front surface
- IP69K water and dust proof, allows high pressure and high temperature cleaning
- Corrosion resistant stainless housing SUS 304
- Multiple mounting solutions for different scenario applications
- Supports VESA mount, Panel mount and optional Yoke mount stand

R15L100-SPC369-P, 15-inch Stainless P-Series Display

Stainless IP69K with Waterproof Conduit Solutions

Display Specification

Size	15"
Resolution	1024 x 768
Contrast Ratio	2000:1
Brightness	250 nits
Viewing Angle	-88~88 (H); -88~88(V)
Max Colors	16.2M
Touch	Projected Capacitive Multi-Touch (P-CAP) Anti-glare coating (Optional)

Interface

USB Ports	1 x USB for Touch
HDMI	1 x HDMI input
VGA	1 x VGA

Keyboard and Input

Physical Buttons	5 Keys: -, +, Power, Esc, Enter
LED Indicators	Power & Stand by
Touch	P-Cap

Power Management

Power Input	12V DC input with AC to DC Adapter Optional 9~36V DC input with 3 pin phoenix connector
Power Consumption	18W (typ.)(Max.backlight and high CPU load)
AC Adapter	100~240V AC to 12V DC Adapter

Mechanical Specifications

Dimensions	356 x 280 x 56mm
Cutout	338 x 262mm
Cooling System	Fanless design
Housing	Stainless steel
Mounting	VESA Mount (100x100mm), Panel mount, optional Yoke mount stand

Environment

Operating Temperature	0 °C to 45 °C
Storage Temperature	-10 °C to 60 °C
Operating Humidity	10% to 95% (non condensing)
IP Rating	IP69K

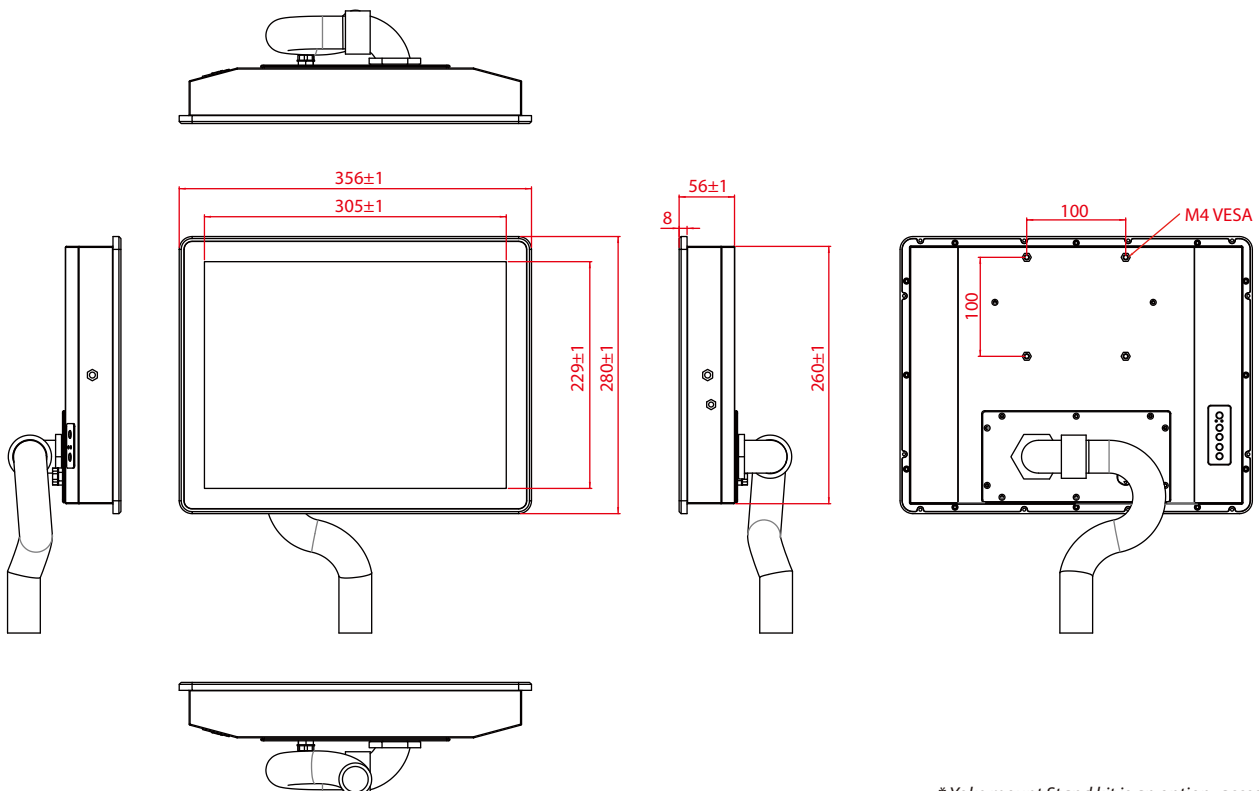
Standards and Certification

EMC	CE, FCC
-----	---------

Accessories

- 1 x Waterproof Conduit 1.5m
- 1 x Elbow for connect the conduit
- 1 x AC to DC power adapter with power cord
- Yoke mount stand kit (Optional)
- Open wire cable for phoenix connector(Default for 9~36V DC input sku)

Drawing



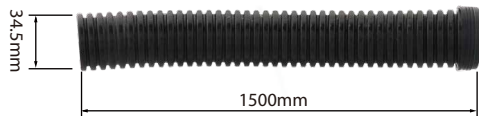
* Yoke mount Stand kit is an option. accessory.

R15L100-SPC369-P, 15-inch Stainless P-Series Display

Stainless IP69K with Waterproof Conduit Solutions

Accessories

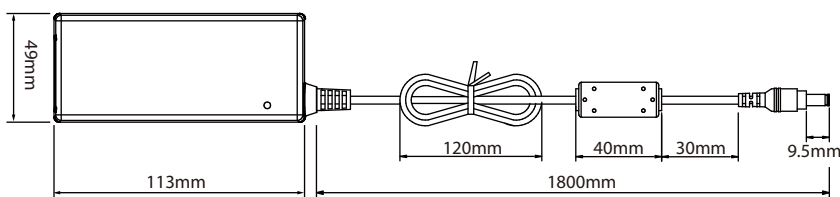
Waterproof Conduit 1.5m



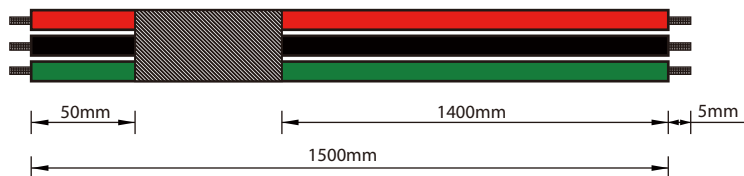
Elbow for connect the conduit



AC to DC power adapter



Open wire cable for phoenix connector(Default for 9~36V DC input sku)



Pin No.	Symbols	Color	Pin No.	Symbols	Color
Open wire 5mm		Red	Open wire 5mm		Red
Open wire 5mm		Black	Open wire 5mm		Black
Open wire 5mm		Green	Open wire 5mm		Green

Yoke mount Stand kit (Optional)

