

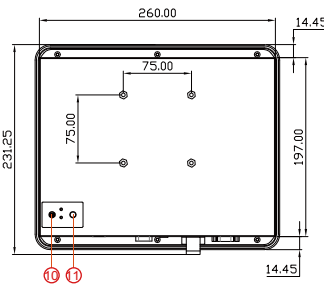
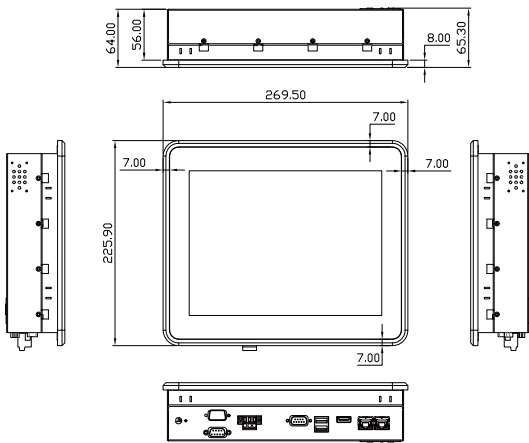
Winmate M-Series HMI Panel PC

10.4" M-Series HMI with Intel® Celeron N2930

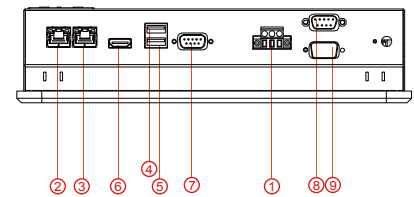
R10IBWS-MHP1

Features:

- Projected Capacitive Multi Touch Screen
- Fanless Design
- Optional Optical Bonding for sunlight and outdoor viewability
- Support wide range 9-36V isolation DC input



Measurements shown in mm
All Dimensions are ± 0.5 mm



- | | |
|--------------------------|--------------------|
| 1. 9-36V isolation DC-in | 7. COM1 |
| 2. LAN | 8. COM2 |
| 3. LAN | 9. COM3 (optional) |
| 4. USB 2.0 x 1 | 10. Power button |
| 5. USB 2.0 x 1 | 11. Reset button |
| 6. HDMI output | |

* Note: this is a simplified drawing and some components are not marked in detail.
Please contact our sales representative if you need further product information.

System Specification

Processor	: Intel® Celeron® Bay Trail-M N2930 1.83GHz
System Memory	: 4GB DDR3L 1066/1333 SODIMM
System Chipset	: Intel® ATOM SoC Integrated
Ethernet	: Dual Intel® WG82574L GbE LAN
Audio	: Realtek ALC886 codec
USB	: 2 x USB 2.0
Main Storage	: Built-in 64G mSATA SSD
Touch Screen	: Projected Capacitive
Operating system (optional)	: Windows Embedded Standard 7 Windows Embedded 8 Standard Windows 10 IoT Enterprise

Display Specification

Display Size	: 10.4"
Active Display Area	: 211.2(H) x 158.4(V)
Pixel Pitch	: 0.264(H) x 0.264(V)
Display Color	: 262k/16.2M
Resolution	: 800 x 600
Brightness	: 400 nits
Contrast Ratio	: 400:1 (Typ.)
Viewing Angle	: 70/70/70/60

Mechanical Specification

Mounting	: Wall Mount / VESA Mount
Dimension	: 269.5 (L) x 226 (W) x 65.3 (H)

Power Supply

Power Input	: 9-36V isolation DC in
Power Adapter	: 110-240AC to 12V DC out 80W power Adapter

Environmental Specification

Operation Temperature	: 0~ 50°C
Operating Humidity	: 30%-95% at 40°C (non-condensing, RH)
Water Proof	: Front: IP65; Rear: IP20 / Fanless

I/O Connectors

I/O Connectors	: 9-36V isolation DC in x1
	Gigabite LAN x2
	USB2.0 x2
	HDMI Output x1
	D-Sub15 (VGA) Output x1
	COM1 x1
	COM2 x1
	COM3 (optional) x1
	Power button x1
	Reset button x1

Accessories

- Mounting clips & screws
- 12V 80W power adapter
- Power cord
- Driver CD