

R08IE3S-OFU1

8.4" Intel® Celeron® N6211 Open Frame Panel PC



KEY FEATURES

- 8.4" TFT SVGA LCD
- Intel® Celeron® Elkhart Lake N6211 Processor
- 1 x SO-DIMM, max. 16GB DDR4
- 2 x Gigabit Ethernet
- Supports 2 x SATA III, 4 x COM, 2 x USB 3.2 Gen 1, 4 x USB 2.0

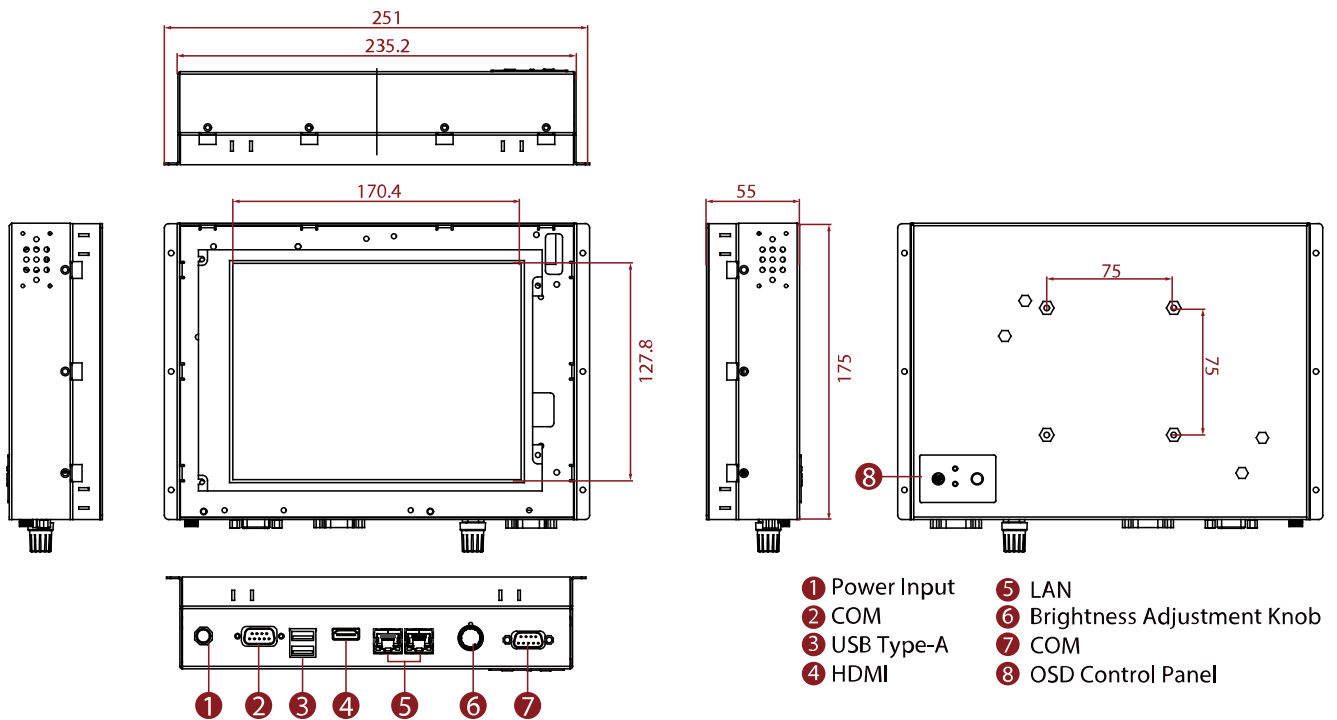


SPECIFICATIONS

Display	
Resolution	800x600
Contrast Ratio	600:1
View Angles	75,75,60,70
Touch / Glass	Resistive Touch Screen (Optional) Protection Glass Without Touch Function (Optional)
Size	8.4 inches
Panel Brightness	600 nits
Active Area	170.4x127.8 mm
System Specification	
Processor	Intel® Celeron® N6211 (1.5M Cache, up to 3.0GHz) Intel® Celeron® N6210 (1.5M Cache, up to 2.6GHz) (Optional)
Memory	1 x SO-DIMM, DDR4 3200 MHz, 4GB 8GB (Optional) 16GB (Optional)
Storage	1 x M.2 2242 B-key SSD 128GB M.2 2242 B-key SSD up to 512GB (Optional) 1 x SATA III for 2.5" SSD/HDD up to 1TB (Optional)
Ethernet controller	2 x Intel® Ethernet Controller
Security	TPM 2.0
Operating System	Windows 11 IoT Enterprise SAC (64 bit) (Optional) Windows 10 IoT Enterprise (64 bit) (Optional) Linux Ubuntu 22.04 (Optional)
Mechanical	
Dimension	251.2 x 174.8 x 55 mm
Mounting	Open Frame Panel Mount VESA Mount
Enclosure	Metal Housing
Cooling System	Fanless design
Environment	
Operating Humidity	10% to 90% RH, Non-Condensing
Operating Temperature	0°C to 50°C
Storage Temperature	-10°C to 60°C
Certification	
Certification	CE, FCC
IO Ports	
Power Input	1 x 12V DC, 2.5φ DC jack
USB Port	2 x USB3.2 Gen2x1 (Type-A)
Serial Port	1 x RS232/422/485 (Default RS232) 1 x RS232
Video	1 x HDMI 2.0 (Optional)
Audio	2 x Speaker
Expansion Port	2 x M.2 slot(1 for WiFi, 1 for SSD)

LAN	2 x Giga LAN RJ45 Connector	Indicator	1 x LED Indicator for power 1 x LED Indicator for storage
Brightness Knob	1 x Brightness Adjustment Knob		
Control			
Button	1 x Power Button 1 x Reset Button		
Accessory			
Accessory	100~240V AC to DC Adapter Power Cord VESA screws		
Power			
Power Rating	12V DC	Adapter	12V 50W

DIMENSIONS UNIT:MM



NOTE

1. This is a simplified drawing and some components are not marked in detail.
2. Please contact our sales representative if you need further product information.
3. All specifications are subject to change without prior notice.
4. The product shown in this datasheet is a standard model. For diagrams that contain customized or optional I/O, please contact the Winmate Sales Team for more information.