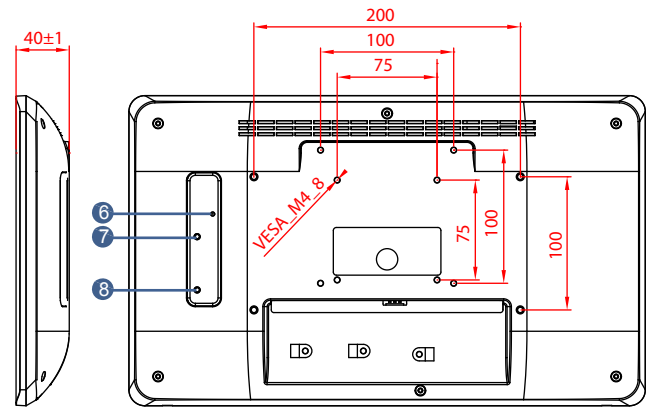
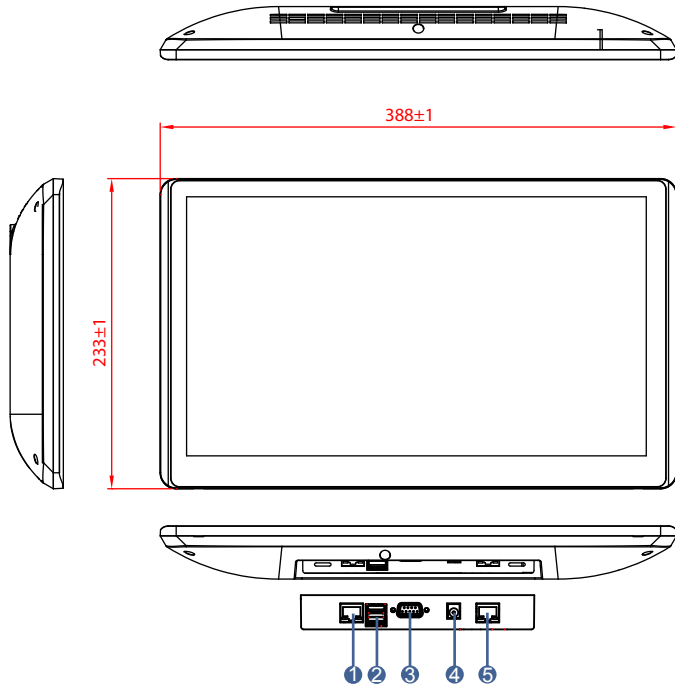


# 15.6" Multi-Touch HMI Series- W15IB3S-PTA3

## Features

- 15.6" 1920 x 1080 with P-CAP touchscreen
- Intel® Celeron® N2930 1.83GHz
- Fanless cooling system and ultra low power consumption
- Front IP65 for protection against water and dust
- Plastic Housing
- A true flat, easy-to-clean front surface with edge-to-edge design



- |                    |                               |
|--------------------|-------------------------------|
| 1. RJ45 (LAN)      | 5. RJ45 (LAN or Optional PoE) |
| 2. USB 2.0/USB 3.0 | 6. Power LED Indicator        |
| 3. RS-232/422/485  | 7. Power Button               |
| 4. 12V DC in       | 8. Reset Button               |

## Specifications

### System

- Processor : Intel® Celeron® N2930 Bay Trail-M 1.83GHz
- System Memory : 2GB DDR3L-1600 SODIMM max 8GB
- Storage : 64GB M.2 SSD
- LAN : Dual Intel® I210-AT GbE LAN

### Input / Output

- Serial Ports : 1 x RS-232/422/485
- USB Ports : 1 x USB 3.0, 1 x USB 2.0
- Ethernet : 1 x RJ45-10/100/1000 Mbps (LAN)  
1 x RJ45(Optional PoE)
- Speaker : 2 x 1 Watt Speaker

### Environment

- Operating Temperature : 0 °C to 50 °C
- Operating Humidity : 10% to 95% (non-condensing)
- IP Rating : Front IP65

### Power Specification

- Power Input : 12V DC in
- Optional Power Over Ethernet : Power Device (PD) follows IEEE 802.3at (25 W)
- Power Consumption : 21 W typical, normal operation

### Display Spec :

- Size/Type : 15.6" TFT
- Resolutions : 1920x1080
- Brightness : 300cd/m2 (typ.)
- Contrast Ratio : 800 : 1 (typ.)
- Viewing Angle : -85~85(H);-85~85(V)
- Max Colors : 262K
- Touch : Projected Capacitive Touch

### Mechanical Specification :

- Mounting : VESA Mount  
(100 x 200, 100 x 100, 75 x 75 mm)
- Dimensions (W x H x D) : 388 x 233 x 40 mm
- Appearance : Back cover color White  
Plastic casing

### Operating System

- Operating System : Windows 10 IoT Enterprise  
: Windows Embedded 8.1 Industry Pro  
: Windows Embedded 8 Standard  
: Windows Embedded 7 Standard

### Security Support

- Trusted Platform Module (TPM 1.2)