

5" -S-Series HMI

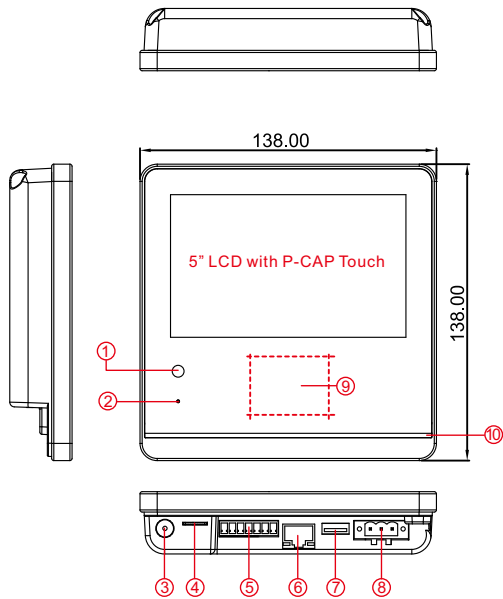
Stylish All-in-one Access Management

Model: W05TA3S-PCT3AC

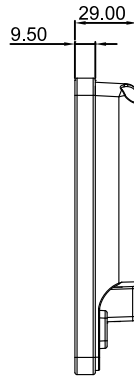


Features:

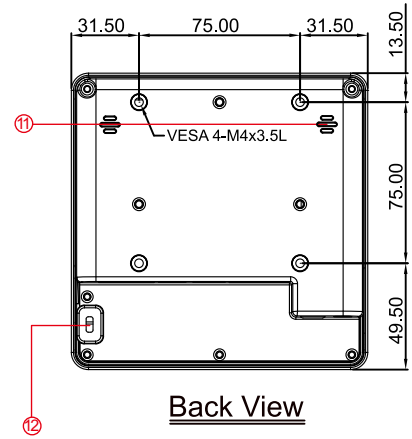
- TI Cortex A8 AM3354 1GHz with Android Operating System
- 5" WVGA TFT(LED backlight) with P-CAP touch screen
- Gigabit LAN with PoE(IEEE 802.3AT) Solution
- Built-in non-contact HF RFID Module
- 2MP front-facing camera for interactive communication
- Multi-Color(G,R,B) Programmable LED Light Bar Indicator
- Unidirectional-Mic and Speaker for VoIP application
- Wide-distance(10M)RF controller for Digital Out device trigger application
- Diversity of mounting kit to satisfy various installation environment
- All-in-one design, completed solution for cost-saving and space-saving
- Fanless cooling system and ultra-low power consumption



Bottom View



Side View



Back View

- | | | |
|----------------------|-------------|--------------------|
| 1.Camera | 5.DI/DO | 9.HF RFID Module |
| 2.Mic | 6.LAN(PoE) | 10.LED Light Bar |
| 3.Reset Button | 7.USB(Host) | 11.Speaker |
| 4.Micro SD Card Slot | 8.DC 12V in | 12.Kensington Lock |

Measurements shown in mm
All Dimensions are 0.5 mm

* Note: this is a simplified drawing and some components are not marked in detail.
Please contact our sales representative if you need further product information.

LCD Display

| | |
|---------------------|--------------------------------------|
| Size/Type | : 5" TFT(LED Backlight) |
| Pixel Pitch | : 0.045(H) X 0.135(V) |
| Resolutions | : 800 X 480 |
| Contrast Ratio | : 500:1 (typ.) |
| Luminance (cd/m2) | : 300 (typ.) |
| Viewing Angle (H/V) | : -70~70 (H); -50~70 (V) |
| Touch Screen | : P-CAP Multi-Touch support 5 points |

System Specification

| | |
|------------------|-------------------------------------|
| CPU | : TI Cortex A8 AM3354 1GHz with DSP |
| Memory | : 512MB DDR2 SDRAM 533MHz |
| Storage | : 1GB 8bit Nand Flash(OS) |
| Graphic | : PowerVR SGX 3D Gfx |
| Operating System | : Android 4.4.2 |

I/O Connectors

| | |
|-------------------|--|
| DC-Input | : 1 x Phoenix Type Power Jack |
| Reset Button | : 1 x Reset Button with Blue LED indicator |
| USB Port | : 1 x USB A-type(HOST) |
| Ethernet | : 1 x RJ 45 10/100/1000 (Support PoE function IEEE 802.3at) |
| Expansion Storage | : 1 x Micro SD Card Slot (with 16GB SD Card) |
| DI / DO | : 2 in / 2 out (one 12V/1A for electromagnetic lock) |

Peripheral

| | |
|-------------------------|--|
| RFID(HF, 13.56MHz) | : Supporting 14443A , ISO 15693 / ISO18092, 3cm(Maximum Reading Range) |
| Audio Input | : MIC(Uni-directional) |
| Audio Output | : 1Watt Speaker |
| LED Light Bar Indicator | : RGB multi-color |
| Camera | : 2MP front-facing camera |
| RF remote control | : 443MHz RF module with controller ,10M(Maximum Active Range) |

Power

| | |
|---------------------|--|
| Power Input | : 12V DC-in Power input (Phoenix type) |
| Power Over Ethernet | : Support IEEE 802.3at(25W) |
| Power Consumption | : 10W (w/o DIDO Device) |

Mechanical Specification

| | |
|-----------------------|--------------------------|
| Cooling System | : Fanless design |
| Mouting | : VESA Mount (75 x 75mm) |
| Dimension (W x H x D) | : 138 x 138 x 29mm |

Environmental Specification

| | |
|-----------------------|----------------------------------|
| Operation Temperature | : 0°C ~ 55°C |
| Operating Humidity | : 10% ~ 90% (non-condensing, RH) |
| IP Proof | : IP54(Front Side) |