

# SCMXRAIL1-XX, SCMXRAIL2-XX, SCMXRAIL3-XX

## DIN Rail

### Description

Three styles of DIN rail are available. Specify length (-xx) in meters when ordering, -01 for 1 meter or -02 for 2 meter.

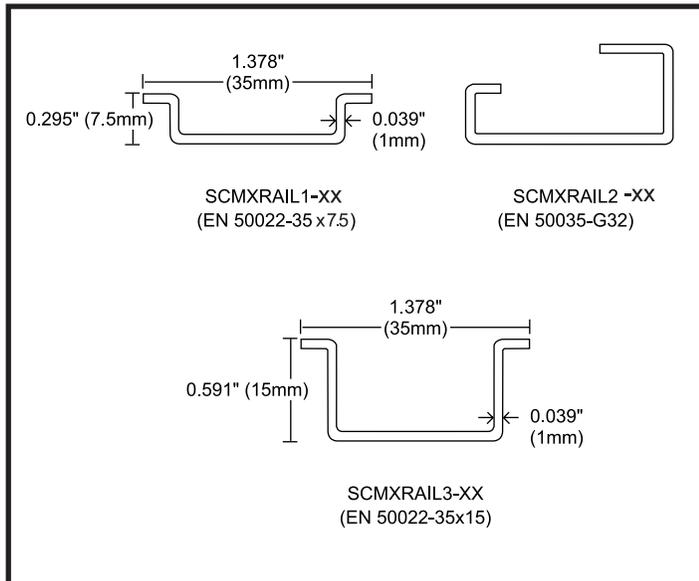


Figure 14: DIN Rail Styles

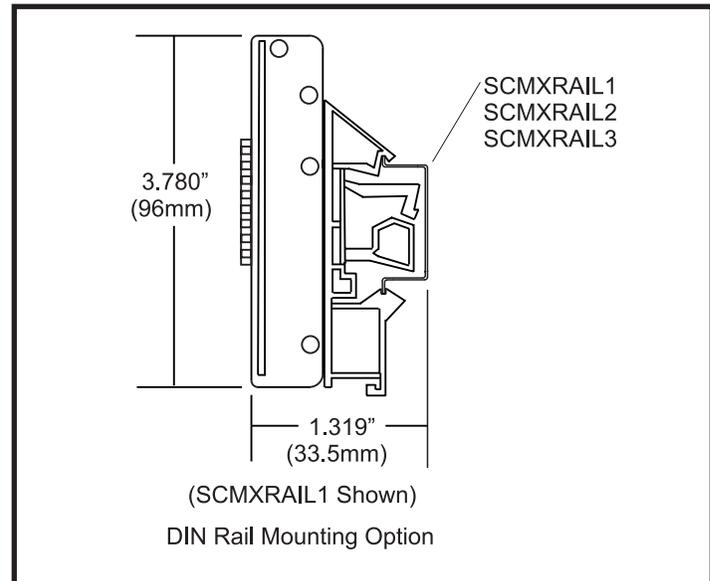


Figure 15: 8BPxx-2, 8BPxx-3 Backpanel DIN Rail Mounting Option

## 8B-PROTO

### Breadboard Kit

#### Description

The 8B-PROTO breadboard kit was designed to allow users to incorporate their own module functions using an 8B format. The kit includes a PC board with pins designed for breadboard circuits, a module case, header and mounting screw. Contact the factory for additional information.

## 8BPT

### Pass-Through Module

#### Description

The 8BPT is a pass-through module used to establish a direct connection between an input signal and the 8B series backplane analog bus. It has unity gain and no isolation. It accepts up to  $\pm 10V$  input and provides up to  $\pm 10V$  output.

## 8BXCJC



### Cold Junction Compensation Sensor

#### Description

Packaged for use in customer designed mounting boards. This part has an initial tolerance of  $\pm 0.25\%$  and comes in a standard 1206 resistor format.