

## Features

- On the fly processing: EtherCAT
- Powerful MCU handles efficient network traffic
- 2 x RJ-45 bus interface
- Distance between stations up to 100 m (100 BASE-TX)
- Support daisy chain connection
- EtherCAT conformance test tool verified
- Removable terminal block connector
- LED indicators for the output status
- Built-In Inputs and Outputs: 16 DI and 16 DO
- RoHS compliant
- ESD Protection 4 KV Contact for each channel



## Introduction

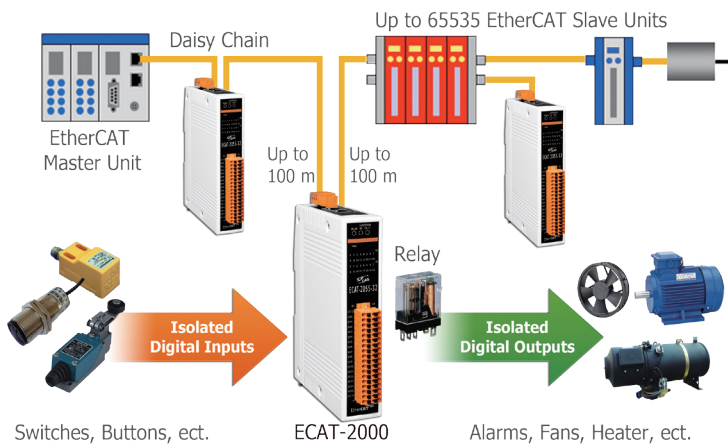
The ECAT-2055-32 is an industrial slave I/O module built in 8 digital inputs and 8 digital outputs. It is equipped with the EtherCAT\* protocol and installed by daisy chain connection that provides a more scalable system with fewer wires. Users can obtain the input and output status not only via the process data but also from its LED indicators. The ECAT-2055-32 has passed and verified by the conformance test tool, therefore eligible EtherCAT Master or configurator can manipulate it simply and implement your various applications easily.

\* EtherCAT® is registered trademark and patented technology, licensed by Beckhoff Automation GmbH, Germany.

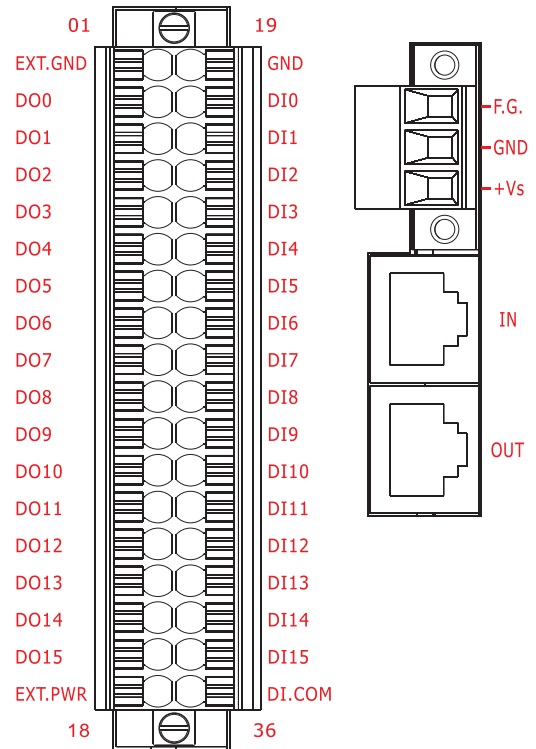
## Hardware Specifications

Model	ECAT-2055-32	
<b>Digital Input</b>		
Channels	16	
Input Type	Wet (Sink/Source)/ Dry (Source)	
Wet Contact	ON Voltage Level	+10 V ~ +50 V
	OFF Voltage Level	+4 V Max.
Dry Contact	ON Voltage Level	Close to GND
	OFF Voltage Level	Open
Photo-Isolation	3750 VDC	
<b>Digital Output</b>		
Channels	16	
Output Type	Open Collector (Sink)	
Load Voltage	+3.5 ~ 50 V	
Max. Load Current	500 mA per channel	
Isolation Voltage	3750 VDC	
<b>Communication Interface</b>		
Connector	2 x RJ-45	
Protocol	EtherCAT	
Distance between Stations	Max. 100 m (100 BASE-TX)	
Data Transfer Medium	Ethernet/EtherCAT Cable (Min. CAT 5), Shielded	
<b>EMS Protection</b>		
ESD (IEC 61000-4-2)	±4 kV Contact for Each Terminal	
EFT (IEC 61000-4-4)	Signal: 1 KV Class A; Power: 1 KV Class A	
Surge (IEC 61000-4-5)	1 KV Class A	
<b>Power</b>		
Input Voltage Range	10 ~ 30 VDC	
Power Consumption	4 W Max.	
<b>Mechanical</b>		
Dimensions (H x W x D)	140 mm x 112.2 mm x 31 mm	
Installation	DIN-Rail Mounting	
Case Material	UL 94V-0 Housing	
<b>Environment</b>		
Operating Temperature	-25 ~ +75°C	
Storage Temperature	-30 ~ +80°C	
Relative Humidity	10 ~ 90% RH, Non-condensing	

**Applications**



**Pin Assignments**

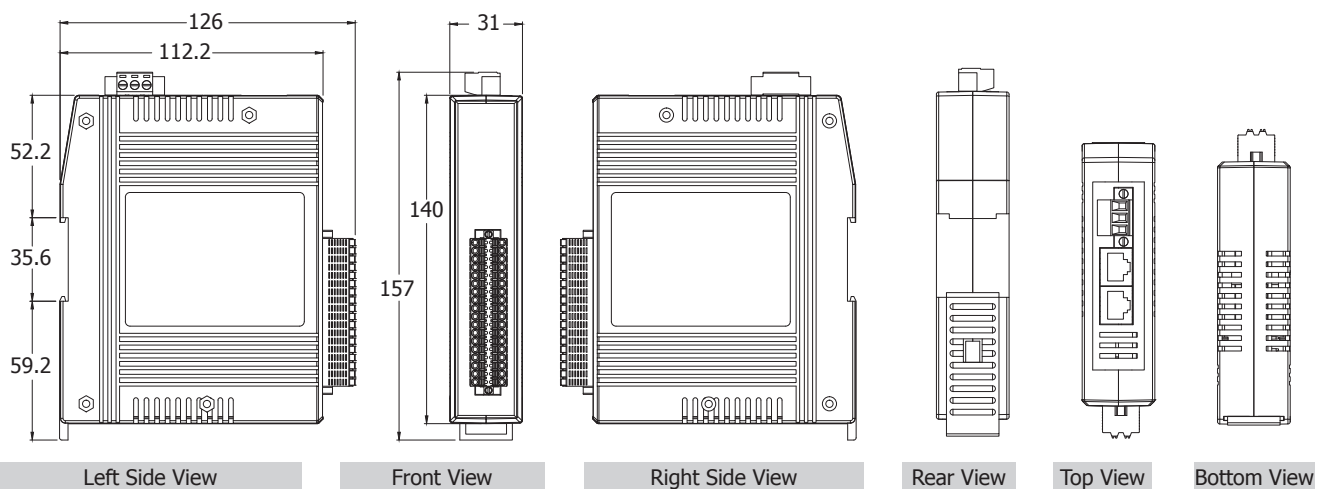


**Wire Connections**

Digital Input/Counter	Readback as 1	Readback as 0
	+10 ~ +50 VDC	OPEN or <4 VDC
Sink		
	+10 ~ +50 VDC	OPEN or <4 VDC
Source		
	Close to GND	Open

Output Type	ON State Readback as 1	OFF State Readback as 0
Drive Relay		
Resistance Load		

**Dimensions (Units: mm)**



**Ordering Information**

<b>ECAT-2055-32 CR</b>	EtherCAT Slave I/O Module with Isolated 16-ch DO and 16-ch DI (RoHS)
------------------------	--