

FSM-510G-4F

6-Port 10/100/1000 Base-T + 4 SFP Port L2 Managed Switch

FSM-510G-2F

8-port 10/100/1000Base-T + 2 (100/1G) SFP L2 Plus Managed Switch

FSM-510G-2F



FSM-510G-4F



Features >>>

- IEEE 802.3ab 1000BASE-T Gigabit Ethernet
- Network redundant Ring fail-over protection (< 20 ms)
- Multicast/Broadcast/Flooding Storm Control
- L2+ features provide better manageability, security, QoS, and performance
- Multicasting support IGMP v1/v2, proxy & snooping

Introduction

FSM-510G-4F is a L2 Managed Switch that meets all IEEE 802.3ab/u/x/z Gigabit, Gigabit Ethernet and Ethernet specifications. It provides 6 gigabit Ethernet ports (10/100/1000 Mbps TP) 4 SFP ports.

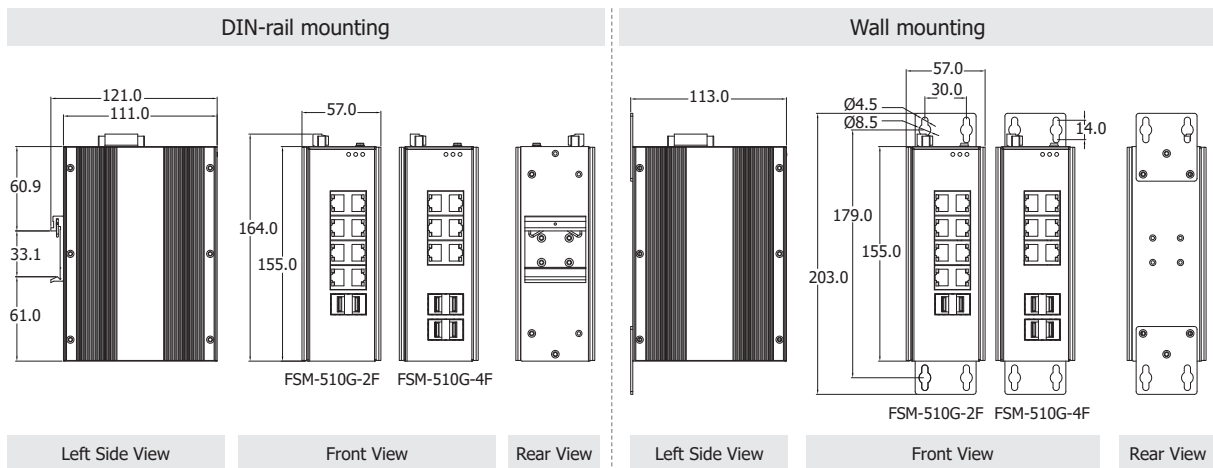
The switch can be managed through RS-232 serial port via direct connection, or through Ethernet port using Telnet or Web-Based management unit, associated with SNMP agent. With the SNMP agent, the network administrator can logon the switch to monitor, configure and control each port activity in a friendly way. The overall network management is enhanced and the network efficiency is also improved to accommodate high bandwidth applications. In addition, the switch features comprehensive and useful function such as DHCP Option 82, QoS (Quality of Service), Spanning Tree, VLAN, Port Trunking, Bandwidth Control, Port Security, SNMP/RMON.

Specifications

Models	FSM-510G-4F	FSM-510G-2F
Technology		
Standards	Port Mirroring helps supervisor monitoring network	
	IEEE 802.1Q tag-based VLAN for performance	
	IEEE 802.1X Access Control improve network security	
	IEEE 802.1D Compatible, IEEE802.1w Rapid Spanning Tree & IEEE802.1s Multiple Spanning Tree	
	IEEE 802.3ab 1000BASE-T Gigabit Ethernet (twisted-pair copper)	
	IEEE 802.3z Gigabit Ethernet (fiber) ANSI/IEEE 802.3	
	Unknown Unicast/Broadcast/Multicast storm control	
	IP-MAC-Port binding for LAN security	
	QCL Based on Application traffic for QoS and rate limitation management	
	Supports DHCP snooping (DHCP option 82)	
ACL Based on Ethernet Type/ARP/IPv4 for packets permit or deny, rate limitation and port copy		
Supports "power saving" for Green Ethernet requirement		
Supports LLDP (Link Layer Discovery Protocol) provides a standards-based method for enabling switches to advertise themselves.		
MAC Addresses	8 K	
Processing Type	Store & forward	
Protocol	VLAN, QoS, Port Trunk, SMTP, TELNET, SNMP, IGMP, IEEE802.1X, LLDP	

Models	FSM-510G-4F	FSM-510G-2F
Interface		
RJ-45 Ports	6-port 10/100/1000 Base-TX auto negotiation speed, F/H duplex mode, and auto MDI/MDI-X connection	8-port 10/100/1000 Base-TX auto negotiation speed, F/H duplex mode, and auto MDI/MDI-X connection
SFP	4-port 100/1000 Mbps SFP Fiber Module slots	2-port 100/1000 Mbps SFP Fiber Module slots
LED Indicators	POWER, ALARM, TP Port LED	
Ethernet Isolation	1500 V _{rms} 1 minute	
Serial Port	RS-232 (TxD, RxD and GND); Non-isolated	
Frame Ground for EMS Protection	EMS Requirements: IEC-61000-4-2, IEC-61000-4-3, IEC-61000-4-4, IEC-61000-4-5, IEC-61000-4-6	
Power		
Input Voltage Range	+12 V _{DC} ~ +48 V _{DC}	
Power Consumption	10.5 W	
Frame Ground for EMS Protection	Yes	
Mechanical		
Casing	Metal with an IP30 ingress protection rating	
Dimensions (W x L x H)	DIN-rail mounting: 57 mm x 164 mm x 121 mm Wall mounting: 57 mm x 203 mm x 113 mm	
Installation	DIN-rail mounting or wall mounting	
Environmental		
Operating Temperature	-40 °C ~ +75 °C	
Storage Temperature	-40 °C ~ +85 °C	
Ambient Relative Humidity	5% ~ 95% RH, non-condensing	

Dimensions (Units: mm)



Ordering Information

FSM-510G-2F CR	8-port 10/100/1000Base-T + 2 (100/1G) SFP L2 Plus Managed Switch (RoHS) Includes Console Cable and 4SIN1K0000075 Wall mount (W: 44 mm)
FSM-510G-4F CR	6-Port 10/100/1000 Base-T + 4 SFP (100/1G) Port L2 Plus Managed Switch (RoHS) Includes Console Cable and 4SIN1K0000075 Wall mount (W: 44 mm)

Accessories

SFP-100M13M-FX	100Base-FX, Multi-mode 1310 nm, 2 km SFP module	
SFP-1G85M-SX	1000Base-SX, Multi-mode 850 nm, 0.5 km SFP module	
SFP-1G13M-SX2	1000Base-SX2, Multi-mode 1310 nm, 2 km SFP module	
SFP-1G13S-LX	1000Base-LX, Single-mode 1310 nm, 10 km SFP module	
SFP-1G13S-LX20	1000Base-LX20, Single-mode 1310 nm, 20 km SFP module	