



Main Features

- IP67 precision design to resist water and dust
- Built-in CAN 2.0B. Optional OBDII function (SAE J1939/J1708)
- U-blox NEO-M8N on board
- Dual SIM cards for WWAN modules
- Additional waterproof HDMI connector (by request)
- Smart power management with ignition on/off delay via software control and low voltage protection
- Wide range DC input from 9V~36V
- Wide operating temperature -40°C~70°C
- Certified by CE/FCC/E13 mark

Product Overview

VTC 1910-IPK, a waterproof entry-level vehicle computer with Intel Atom® processor E3815 (1.46GHz), is designed for the wet, dirty and harsh environment. The precision design to resist water and dust to IP67 (enclosure is immersed in water depth 1 meter for 20 minutes). It allows to comply with stringent MIL-STD-810G military standard in rugged, fanless and compact mechanism. Because of the lightweight design, it is especially for the vehicles with limited space to locate the computer system, but without compromising with its space to scarify its features.

VTC 1911-IPK has on board CAN 2.0B and optional OBD interface (SAE J1939/J1708) for vehicle diagnostics and driver behavior management. An advanced GPS receiver supports GPS/Glonass/QZSS/Galileo/Beidou. VTC 1911-IPK features WLAN and WWAN wireless data and voice connectivity. With external 2 x SIM socket which can support a better connectivity quality by software. VTC 1911-IPK keeps the flexibility to meet different demands for telematics applications, such as IoT gateway infotainment, fleet management and dispatching system.

Specifications

CPU

- Intel Atom® processor Bay Trail E3815, 1.46GHz

Memory

- 1 x 204-Pin DDR3L SO-DIMM socket support 1066MHz/1333MHz up to 8GB. Default 2GB

Storage

- 1 x mSATA
- 1 x SATA DOM or 1 x 2.5" SSD

Expansion

- 1 x Full size mini-PCIe socket (USB 2.0)
- 1 x Full size mini-PCIe socket (mSATA + USB 2.0 + PCIe)

Function

- 1 x U-blox NEO-M8N on board (support GPS/Glonass/QZSS/Galileo/BeiDou)
- Built-in G-sensor
- TPM 2.0

I/O Interface-Front

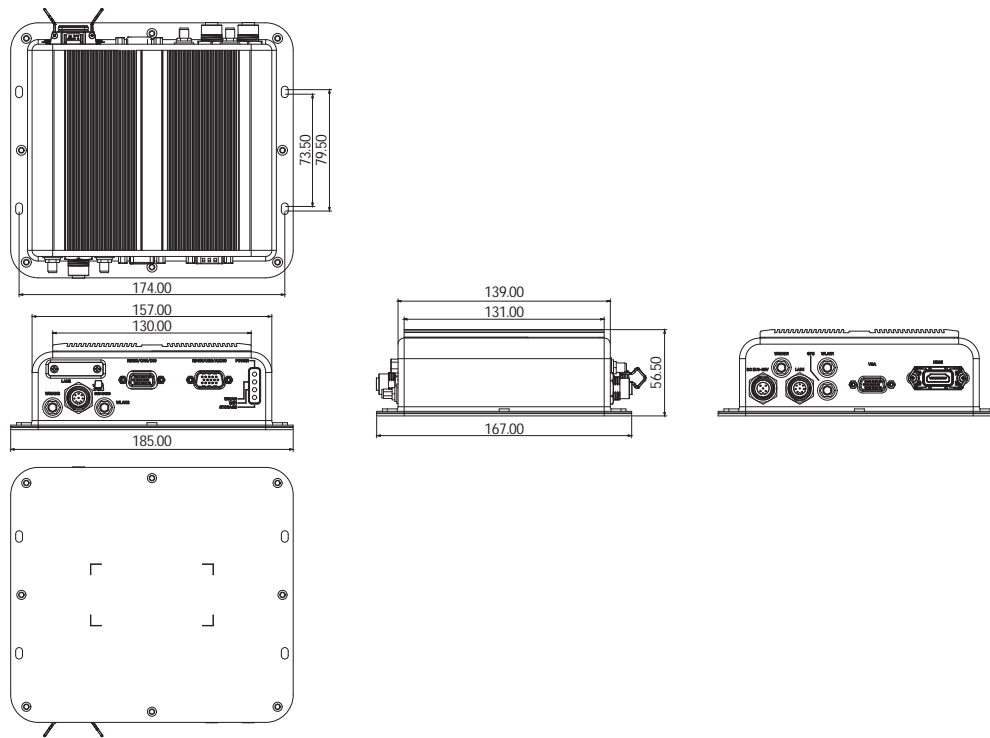
- 4 x LED for power, WWAN, Wi-Fi, storage
- 2 x SIM socket (micro type) with cover

- 1 x M12 (A-code) connector for 10/100/1000Mbps Ethernet
- 1 x (Male) 15-pin waterproof D-SUB connector
 - 1 x RS485 (TX+/TX-)
 - 1 x USB 2.0
 - 1 x Mic-in (L/R)
 - 1 x Line-out (L/R)
 - 1 x Optional VIOB-CAN-05/06 or 2 x video input
- 1 x (Female) 15-pin waterproof D-SUB connector
 - 2 x RS-232 (TX/RX)
 - 1 x CAN 2.0B (w/ isolation)
 - 3 x DI, 3 x DO
- 2 x Antenna hole for WWAN/WLAN

I/O Interface-Rear

- 1 x M12 5-pin circular power connector (ignition, power, GND)
- 1 x M12 (A-code) connector for 10/100/1000Mbps Ethernet
- 1 x 15-Pin waterproof D-SUB connector for VGA output
- 1 x Waterproof HDMI connector (by request)
- 3 x Antenna hole for WWAN/WLAN/GPS

Dimension Drawing



Operating System

- Windows 7, WES7
- Windows 8, WES8
- Windows 10
- Linux (by request)

Dimensions

- 185 x 167 x 56.5 (W x D x H) (mm) (7.28" x 6.57" x 2.22")
- Weight: 1.1kg (2.42lbs)

Environment

- Temperature
 - Operating temperatures: -40°C~70°C
 - Storage temperatures: -45°C~85°C
 - Damp heat test per EN60068-2-30
- Humidity
 - IEC60068-2-3, damp heat steady state test, 40°C, 95%, 48Hrs
- Vibration
 - IEC 60068-2-64, 2G
 - Operating: MIL-STD-810G, 514.6C Procedure 1, Category 4
 - Storage: MIL-STD-810G, 514.6E Procedure 1, Category 24
- Shock
 - MIL-STD-810G, 516.6 Procedure I, trucks and semi-trailers=40g
 - Crash hazard: Procedure V, ground equipment=75g

Certifications

- CE
- FCC Class A
- E13

Ordering Information

♦ VTC 1911-IPK (P/N: 10V00191100X0)

Intel Atom® processor Bay Trail E3815, 1.46GHz with 2GB DDR3L SO-DIMM, U-blox M8N GPS on board, VGA output, 2 x LAN, 2 x RS-232 (Tx/Rx), 1 x RS-485 (Tx/Rx), 1 x CAN 2.0B, 3 x DI, 3 x DO, 1 x USB 2.0, 1 x Line-out/Mic-in