



Features

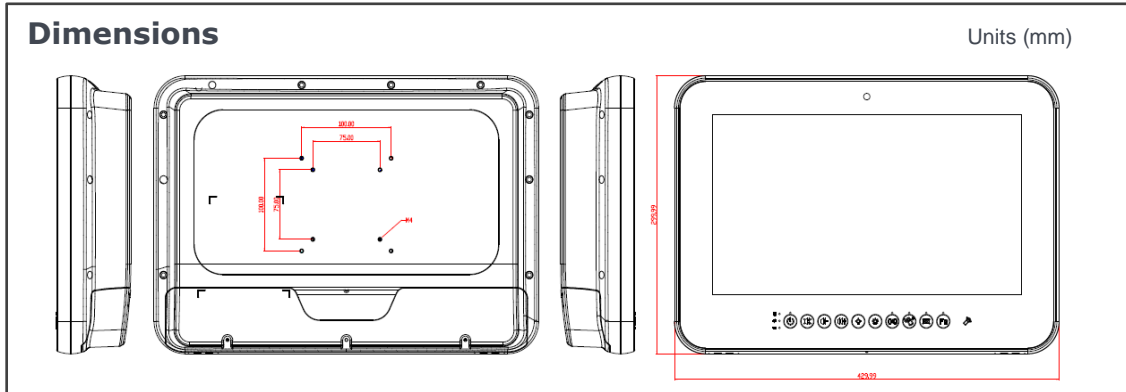
- Intel® Apollo Lake Medical Panel PC
- 15.6" 1366x768 LCD panel
- Highest Medical EMC 4.0/ Safety 3.1 Certification Ready
- Anti-Bacteria (MRSA) Plastic Housing
- Friendly Design of Front Function Hot-Keys
- One M.2 E Key Support WLAN Solution
- Optional PCI-E x1 Riser Card
- Optional Full HD panel

Specification

Model	WMP-155 (STD)	WMP-155 (ISO)
CPU / Chipset	Intel® Apollo Lake SoC Processor J3455, 1.50 GHz, 10W	
Graphic	Intel® integrated HD Graphics	
RAM	Single channel support 1867MHz DDR3L SODIMM socket, up to 8GB	
OS Support	Windows 10	
Storage	M.2 Type SATA III SSD 2280 slot interface x 1 2.5" driver bay support SATA3 HDD/SSD	
Expansion	1 x M.2 (E key, 2230), 1 x PCIe (x1), 1 x Mini-PCIe 52 pin card-edge type	
Display Size	15.6" LCD	
Display	1366 x 768 (HD), 16.7M colors, 170(H) / 160(V), 400 nits (Typ. Center point), CR:500 : 1 (Typ)	
Touch Screen	Full Flat P-cap Touch Panel / Light Transmission: 90% ± 3% / Hardness: 7H pencil / Life: 100M times	
USB	USB3.0 x 2, USB2.0 x 2	USB3.0 x 2, USB2.0 x 2, ISO USB2.0 x 1
COM	RS232/422/485 x 1, RS232 x 1	RS-232 x 1, RS232/RS422/RS485 x 1, ISO RS-232 x 1, ISO RS232/RS422/RS485 x 1
LAN	RJ45 x 2	RJ45 x 2, ISO LAN x 1
Audio/ Video	3.5mm phone jack connector x 2 (Line-out, Mic-In)/ DP x 2	
Control Hot Key (R to L)	Power Button// Audio adjustment // brightness // LCD on/off // Clean me // Dis-webcam // Function key	
Cooling	Fanless	
Power Input	DC-In x 1, 7~32V input	
Power Adapter	AC input 100~264V / 47 ~ 63 Hz / DC output 12V, 100W	
Temperature	Operating Temperature: 0~40°C (chamber) / Storage Temperature: -20~60°C	
Humidity	Operating & Storage:10 ~ 90%, non-condensing	
IP Rating / Housing	Front Side IP65, IPx1 for whole system / Plastic White w/Anti-bacteria (MRSA) Housing	
Dimensions (Net)	430mm (H) x 300mm (V) x 83mm (T)	
Weights (Net)	5.2 kg (w/o power adapter/battery pack)	
Mounting	Optional Stand, VESA 75/ 100	
Certification	cUL 60601-1/ EN 60601-1, 60601-1-2 4th Edition, IEC62133, MDR 2017/745 FCC/CE/VCCI Class B, Energy Star 6.1 Compliance	

WMP-155

Medical AIO Fanless



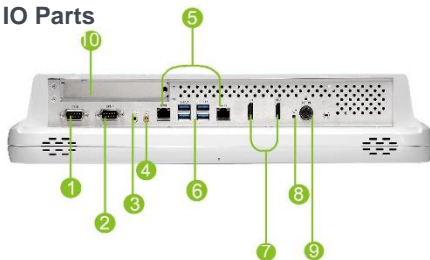
Major Options

Add On Parts	<ol style="list-style-type: none"> 1. WLAN + Bluetooth 2. 5M pixel auto focus webcam module (Can't exist with light sensor) 3. Battery pack (100W max.) 4. PCI-E x1 riser card (Can't exist with ISO module) 5. Capture card 6. 2.5" HDD/SSD kit 7. Equipotential terminal pin 8. RFID (13.56MHz) 9. AG film 10. TPM v2.0 module 11. 5V1A power jack 12. COM 3,4 13. USB 5,6 14. Light sensor for LCD auto brightness(Can't exist with webcam) 15. 15.6" Full HD (1920 x 1080) Diagnostic Panel
Add On Cable	1. Power adapter w/2.4m or 3.6m DC cabale
Optional kits	<ol style="list-style-type: none"> 1. Anti-bacteria Stand 2. Power Plug holder
Customized	1. Tempered glass

Order Information

Item	Configuration
WMP-155 – CP0A	J3455 / 4G RAM / M.2 64G SSD / Full flat P.cap touch
WMP-155 – CP0B	J3455 / 4G RAM / M.2 64G SSD / Full flat P.cap touch / ISO
WMP-155 – CP0A	J3455 / 4G RAM / M.2 64G SSD / Full flat P.cap touch / COM x 4
WMP-155 – CP0H	J3455 / 4G RAM / M.2 64G SSD / Full flat P.cap touch / FHD panel

STD IO Parts



- | | |
|-----------------|------------------------|
| 1 RS232/422/485 | 6 USB 3.0 x 2, 2.0 x 2 |
| 2 RS232 | 7 DP x 2 |
| 3 Line-out | 8 Reset |
| 4 Micropone-in | 9 DC-in |
| 5 LAN x 2 | 10 PCI-E expansion |

