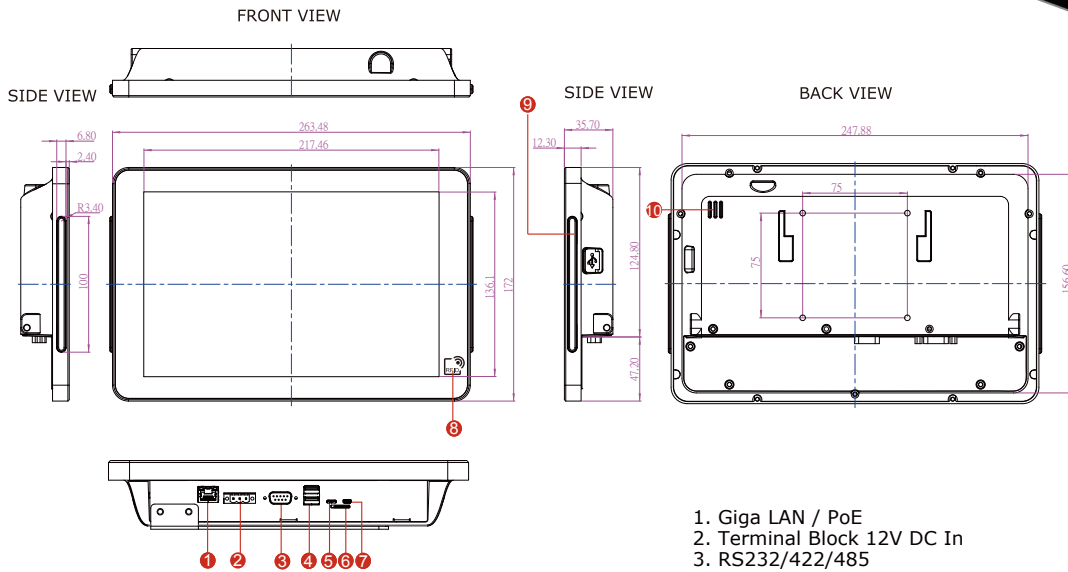


# 10.1" S-Series HMI - W10RK3S-PCH2AC-PoE

## Features

- 10.1" 1280 x 800 Resolution with Projected Capacitive Multi-Touch (P-CAP)
- Fanless cooling system and ultra-low power consumption
- Supports PoE function
- Optional 2MP Front Camera
- Optional HF RFID Reader
- Stylish design for room booking, access control and room information applications
- Front IP65 Water and Dust Proof
- Built-in RGB LED Light Bar Indicator



1. Giga LAN / PoE
2. Terminal Block 12V DC In
3. RS232/422/485
4. USB 3.0 x 2
5. Micro HDMI
6. USB OTG
7. Micro SD Card Slot
8. HF RFID Reader (Optional)
9. RGB LED Light Bar
10. 1W Speaker

## Specifications

System	Display
<ul style="list-style-type: none"> <li>• Processor : Arm Cortex-A72 up to 2.0GHz + Quad-core Cortex-A53 up to 1.5GHz</li> <li>• System Memory : 2GB LPDDR3L 1600 (Optional 4GB LPDDR3L)</li> <li>• Storage : 16GB eMMC (default), Micro SD Card</li> </ul>	<ul style="list-style-type: none"> <li>• Size/Type : 10.1" TFT (Widescreen)</li> <li>• Resolution : 1280x800</li> <li>• Brightness : 350cd/m (typ.)</li> <li>• Contrast Ratio : 800 : 1 (typ.)</li> <li>• Viewing Angle : 85~85(H);-85~85(V)</li> <li>• Max Colors : 16.7M</li> <li>• Touch : Projected Capacitive Multi-Touch (P-CAP)</li> </ul>
Input / Output	Mechanical Specification
<ul style="list-style-type: none"> <li>• Serial Ports : 1 x RS-232/422/485</li> <li>• USB Ports : 2 x USB 3.0 host, 1 x USB OTG</li> <li>• SD Card Slot : 1 x Micro SD Card Slot</li> <li>• Ethernet : 1 x RJ 45-10/100/1000 Mbps LAN support PoE function</li> <li>• Speaker : 1 x 1 Watt Speaker</li> <li>• HDMI : 1 x Micro HDMI</li> </ul>	<ul style="list-style-type: none"> <li>• Cooling System : Fanless design</li> <li>• Mounting : VESA Mount(75x75mm), Panel Mount, Front Side Wall Mount</li> <li>• Dimension (W x H x D) : 263.28 x 171 x 35.7 (mm)</li> <li>• Cutout Dimensions (W x D): 157.6 x 249 (mm)</li> </ul>
Environment	Power Considerations
<ul style="list-style-type: none"> <li>• Operating Temperature : 0 °C to 50 °C</li> <li>• Operating Humidity : 30% to 90% (non-condensing)</li> </ul>	<ul style="list-style-type: none"> <li>• Power Input : 12V DC</li> <li>• Power Over Ethernet : Power Device (PD) follows IEEE 802.3at (25 W), IEEE 802.3af (15 W)</li> <li>• Power Consumption : 12W</li> </ul>
OS BSP Support	Peripheral (Optional)
<ul style="list-style-type: none"> <li>• Operating : Android 7.1 (default)</li> </ul>	<ul style="list-style-type: none"> <li>• RFID : HF RFID Reader 13.56 MHz</li> <li>• Front Camera : 2MP Front Camera</li> </ul>

