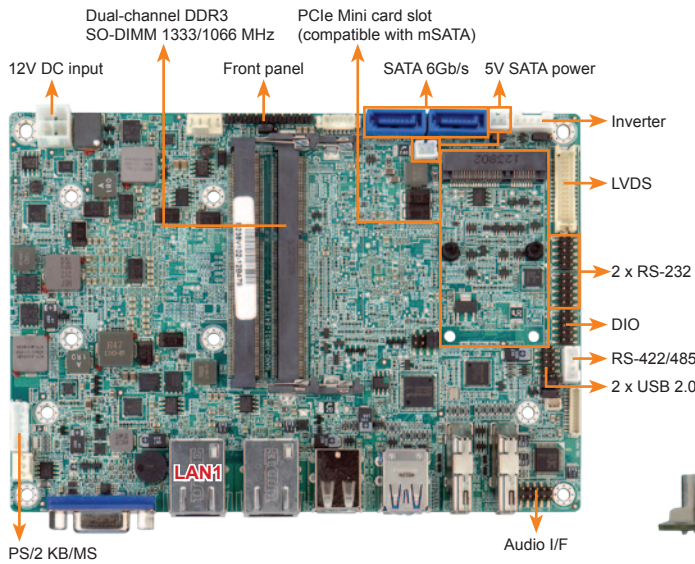


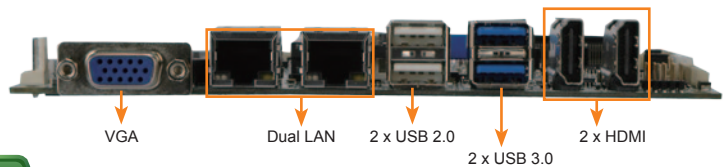
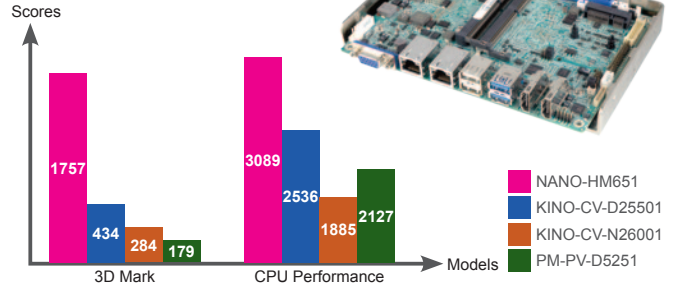
# NANO-HM651

EPIC SBC with on-board Intel® Celeron® Dual Core 847E 1.1GHz CPU, Dual HDMI/VGA/LVDS, Dual GbE, USB 3.0, PCIe Mini, SATA 6Gb/s and Audio



## IEI provides models with better performance than other low power platforms

IEI designs products with efficient performance and low power consumption by the superiority of easy assembly fanless mechanism and the on-board Intel® Celeron® dual-core processor.



## Specifications

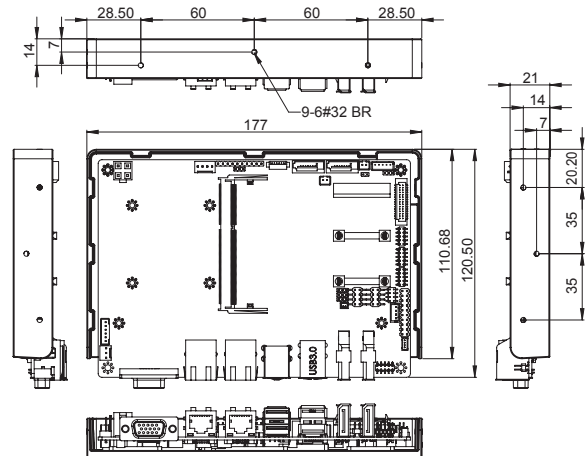


- ◆ CPU: 1.1GHz Intel® Celeron® 847E dual-core processor
- ◆ PCH: Intel® HM65
- ◆ BIOS: UEFI BIOS
- ◆ Memory: Two 204-pin 1333/1066MHz dual-channel DDR3 SO-DIMMs supported (system max. 16GB)
- ◆ Graphics: Intel® HD Graphics Gen 6 supports DX10.1 and OpenGL 3.0 Full MPEG-2, VC1, AVC Decode
- ◆ Display Output: VGA integrated in the Intel® HM65 (up to 2048 x 1536 @75Hz) Dual channel 24-bit LVDS integrated in the Intel® HM65 (up to 1920 x 1200 @60Hz) Dual HDMI (up to 1920 x 1200 @60Hz)
- ◆ Ethernet: Dual LAN: Realtek RTL8111E PCIe GbE controller with ASF 2.0 support
- ◆ Super I/O: Fintek F81866
- ◆ I/O Interface: 2 x RS-232 (1 x RS-422/485) 2 x USB 3.0 (on rear) (4 x USB 2.0 (2 on rear, 2 by pin header)) 1 x 6-pin wafer for PS/2 KB/MS (2 x SATA 6Gb/s with SATA 5V power connector)
- ◆ Audio: Realtek ALC662 HD codec
- ◆ Front Panel: 1 x 10-pin (1x10) header
- ◆ Expansions: 1 x Full-size PCIe Mini card slot with mSATA support
- ◆ Watchdog Timer: Software programmable supports 1~255 sec. system reset
- ◆ Digital I/O: 8-bit digital I/O (4-bit input / 4-bit output)
- ◆ Fan Connector: 1 x 4-pin CPU fan connector 1 x 3-pin system fan connector (smart fan support)
- ◆ Power Supply: 12V only, AT/ATX support,
- ◆ Power Consumption: 12W@3.01A (Intel® Celeron® with 1333MHz 4GB memory)
- ◆ Operating Temperature: -10°C ~ 60°C
- ◆ Storage Temperature: -20°C ~ 70°C
- ◆ Operating Humidity: 5% ~ 95%, non-condensing
- ◆ Dimensions: 115 mm x 165 mm
- ◆ Weight: GW: 850g/NW: 350g

## Features

1. EPIC SBC with on-board mobile 32nm Intel® Celeron® dual-core 847E 1.1GHz processor
2. Dual HDMI/VGA with dual display support
3. Dual-channel 204-pin 1333/1066MHz DDR3 SO-DIMMs support up to 8GB
4. Thermal design for easy assembly by heat spreader
5. Supports three COM, four USB 3.0, two SATA 6Gb/s and audio
6. IEI One Key Recovery solution allows you to create rapid OS backup and recovery

## Dimensions (Unit: mm)



## Packing List

1 x NANO-HM651 single board computer	
1 x SATA with power cable kit (P/N: 32801-000201-300-RS)	
2 x Plastic shaft for securing half-size PCIe Mini card (P/N: 43124-0010C2-01-RS)	
1 x Audio cable (P/N: 32000-072100-RS)	1 x One Key Recovery CD
1 x Power cable (P/N: 32100-087100-RS)	1 x Mini jumper pack
2 x RS-232 cable (P/N: 32200-000049-RS)	1 x Utility CD
1 x Heat spreader	1 x QIG (Quick Installation Guide)

## Ordering Information

Part No.	Description
NANO-HM651-847E-R10	EPIC SBC supports Intel® Celeron® dual core 847E 1.1GHz CPU, dual HDMI/VGA/LVDS, dual GbE, USB 3.0, PCIe Mini, SATA 6Gb/s and Audio
32000-070301-RS	Dual-port USB cable