

GS65 Display

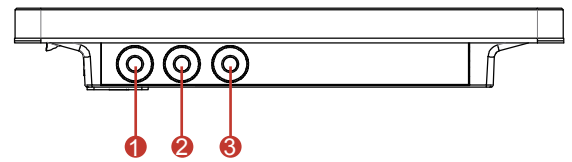


10.4"

Specifications

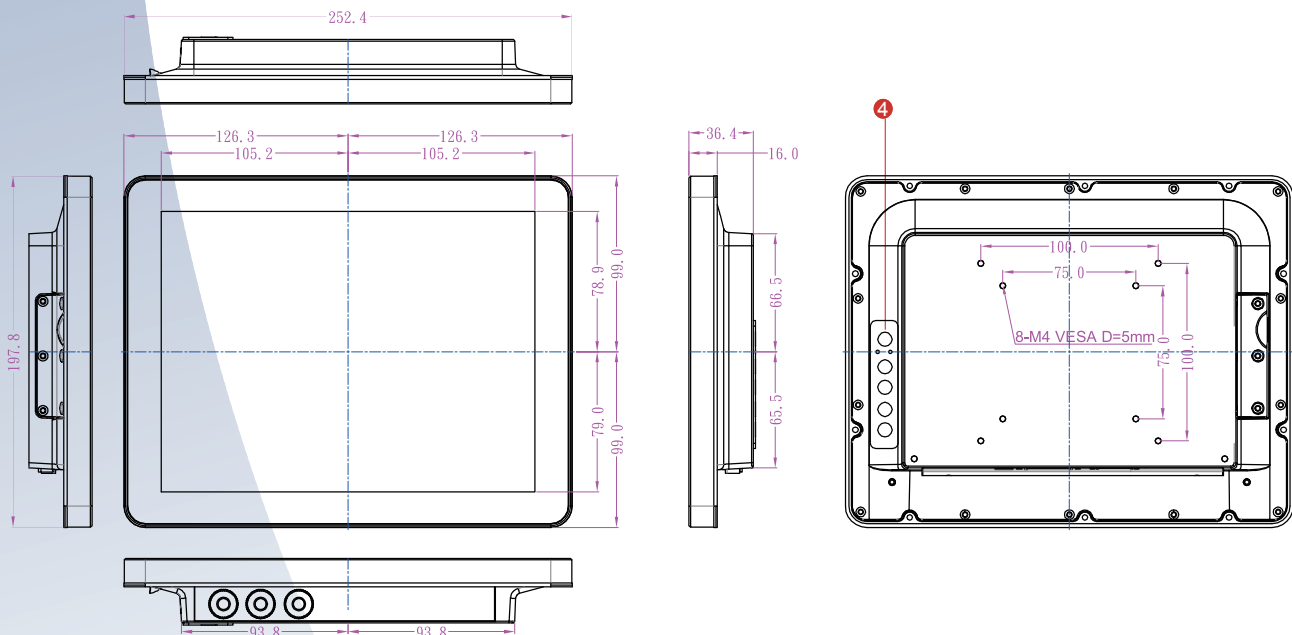


Model Name	R10L100-GST2
Resolutions	10.4"
Active Display Area(mm)	1024x768
Brightness(cd/m ²)	350 cd/m ² (typ.)
Contrast Ratio	0.21525 (V)
Viewing Angle	1200 : 1 (typ.)
Active Display Area(mm)	210.4(H) x 157.8 (V)
Pixel Pitch(mm)	0.2055 (H) x 0.2055 (V)
Touch	Projected Capacitive Touch
Power Source	9-36V DC with External AC to DC Adapter (100~240V AC)
Power Consumption	15 W typical, normal operation
Operating Temperature	-15 °C to 55 °C
Operating Humidity	10% to 95% (non-condensing)
IP Rating	Full IP65
Input Ports	1 x VGA 1 x Touch(USB)
USB Port (Touch)	1 x USB 2.0
Mounting	VESA Mount (100x100mm)
Dimensions (W x H x D)	296.2 x 226.7 x 45.5 (mm)
Accessory	Vesa Mounting Arm / Table Stand Mount



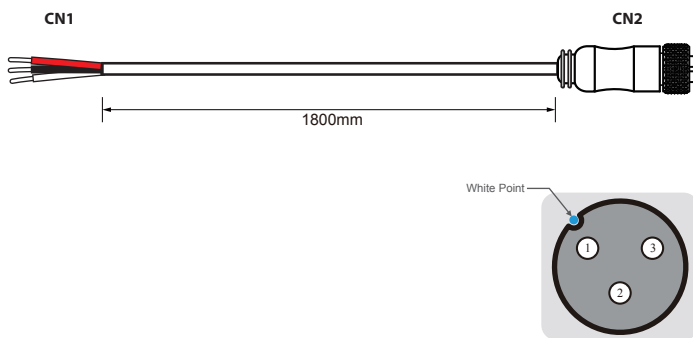
1. 9-36V DC (M12 type)
2. VGA (M12 type)
3. USB For Touch(M12 type),
only with Touch
4. OSD Power

Mechanical Drawing



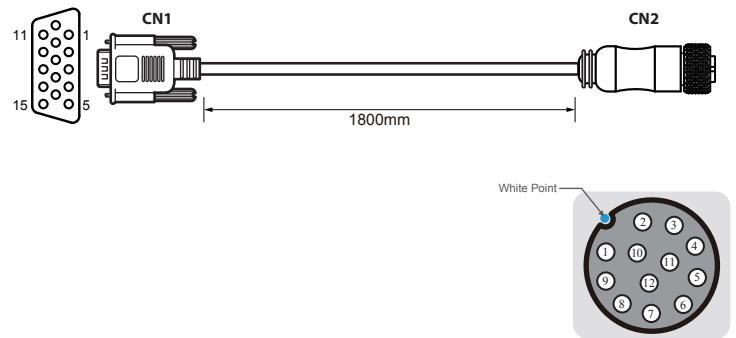
GS65 Display

M12 Power Cable



Pin No.	Symbols	Color		Pin No.	Symbols	Color
CN1-1	VCC+	Red	↔	CN2-1	VCC+	Red
CN1-2	GND	Black	↔	CN2-2	GND	Black
CN1-3	VCC-	White	↔	CN2-3	VCC-	White

VGA Cable



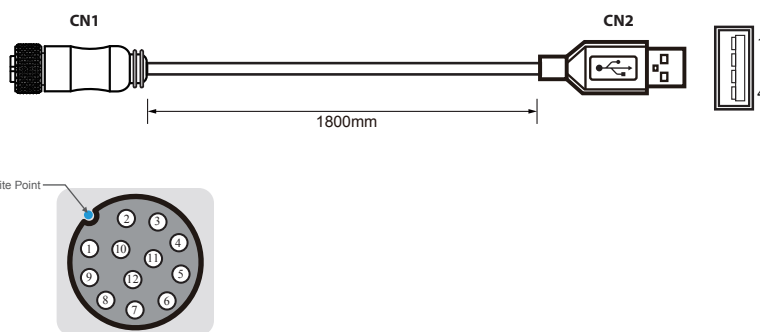
Pin No.	Symbols	Color		Pin No.	Symbols	Color
CN1-1	R	Red	↔	CN2-1	R	Red
CN1-6	R-GND	Black	↔	CN2-2	R-GND	Black
CN1-5	G	Green	↔	CN2-3	G	Green
CN1-7	G-GND	Black	↔	CN2-4	G-GND	Black
CN1-3	B	Blue	↔	CN2-5	B	Blue
CN1-8	B-GND	Black	↔	CN2-6	B-GND	Black
CN1-12	SDA	Yellow	↔	CN2-7	SDA	Yellow
CN1-13	HS	Orange	↔	CN2-8	HS	Orange
CN1-14	VS	White	↔	CN2-9	VS	White
CN1-15	SCL	Brown	↔	CN2-10	SCL	Brown

coaxial

coaxial

coaxial

USB for Touch Cable



Pin No.	Symbols	Color		Pin No.	Symbols	Color
CN1-2	VCC	Red	↔	CN2-1	VCC	Red
CN1-3	D-	White	↔	CN2-2	D-	White
CN1-4	D+	Green	↔	CN2-3	D+	Green
CN1-5	GND	Black	↔	CN2-4	GND	Black
CN1-9	GND	Black	↔	CN2 Shell		Black

twisted pairs