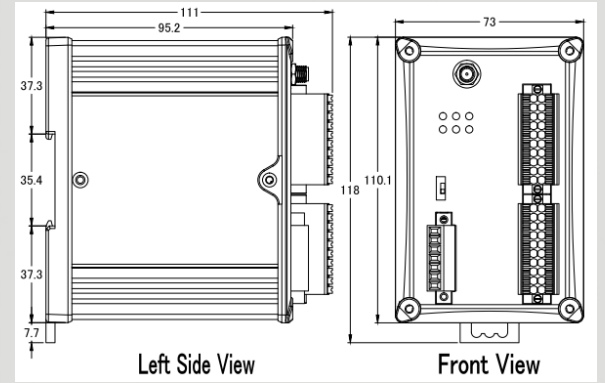




Wi-Fi Data Acquisition I/O Module (14 Relay)



WFM-R14

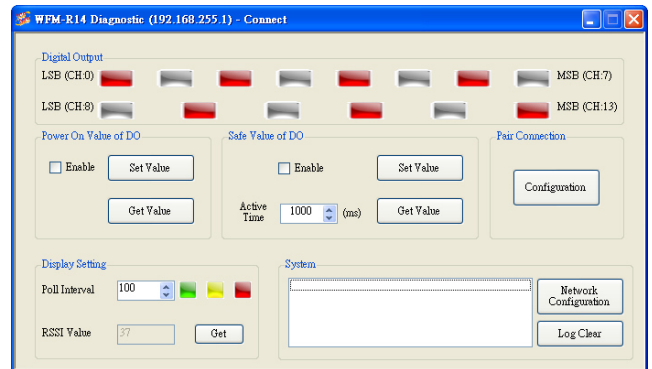


Dimensions

The WFM-R14 is a 2-channel Form A Power Relay Output and 12-channel Form C Power Relay output module with Metal Case (RoHS) which includes stronger protection. In addition, the WFM-R14 has WLAN connection complies with the IEEE802.11b/g standards. With the popularity of 802.11 network infrastructure, the WFM-R14 makes an easy way to incorporate wireless connectivity into monitoring and control systems. The WFM-R14 also supports Modbus/TCP and UDP protocols and the network encryption configuration, which makes perfect integration to SCADA software and offer easy and safe access for users from anytime and anywhere.

Features

- Support Relay type digital outputs(Form A/FormC)
- Compatible with IEEE 802.11b/g standards
- Support infrastructure and ad hoc modes for wireless networks
- Support WEP, WPA and WPA2 wireless encryption
- Support Modbus/TCP and UDP protocols
- Support pair connection mode
- Support DO power on value & safe value Mechanism
- Built-in Watchdog



Utility Features

WF-2000 I/O Utility provides a simple way to easily test and instant acquire data for all ICP DAS Wi-Fi I/O series modules without programming

- Easily and quickly configure and test Wi-Fi I/O modules
- Provide I/O monitor screen
- Provide encryption configuration for wireless LAN

Wire Connection

Output Type	Relay ON	Relay OFF
Form A		
Form C		



Hardware Specifications

Relay Output			
Channels		14	
Output Type		2 Form A Power Relays 12 Form C Power Relays	
Contact Rating (Resistive Load)		5A 250VAC/30VDC 6A 250VAC/30VDC	
Operate Time	Release Time	10ms max. 8ms max.	5ms max. 4ms max.
Insulation Resistance		1,000MΩ s at 500VDC	
Dielectric Strength		Between Coil and Contacts	3000VAC (1 min.)
		Between Open Contact	1000VAC (1 min.)
		Between Coil and Contacts	4000VAC (1 min.)
		Between Open Contact	1000VAC (1 min.)
Mechanical Endurance		2x10 ⁷ times	
		1x10 ⁷ times	
Electrical Endurance		1x10 ⁵ times 3A 250VAC/30VDC 5x10 ⁴ times 5A 250VAC/30VDC	
		1A: 6x10 ⁴ times	
		1C: (NO)3x10 ⁴ times	
		1C: (NC)1x10 ⁴ times	
Wi-Fi Interface			
Antenna		5 dBi (Omni-Directional)	
Output Power		8 dBm @ 11Mbps	
Receive Sensitivity		-83 dBm @ 11Mbps	
Standard Supported		IEEE 802.11b/g	
Wireless Mode		Infrastructure & Ad-hoc	
Encryption		WEP, WPA and WPA2	
Transmission Range		50 meters (LOS)	
Power			
Input Voltage Range		10VDC ~ 30VDC	
Power Consumption		2.2W	
Mechanism			
Installation		DIN-Rail	
Dimensions		73mm x111mm x 118mm (W x L x H)	
Casing		Metal	
Environment			
Operating Temperature		-25°C ~ +75°C	
Storage Temperature		-30°C ~ +80°C	
Humidity		10% ~ 90%	

Applications



Connection architecture



I/O Pair Connection

Ordering Information

WFM-R14 CR

2-channel Form A Power Relay Output and 12-channel Form C Power Relay Output
Wi-Fi I/O Module with Metal Case (RoHS)