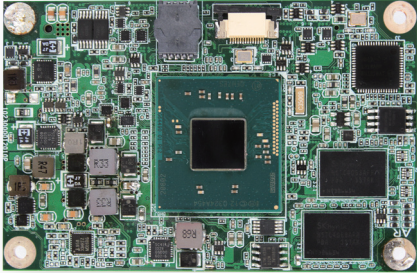


EmNANO-i2300

Intel® Atom™ E3800 family COM Express® Mini Type 10 CPU Module



Features

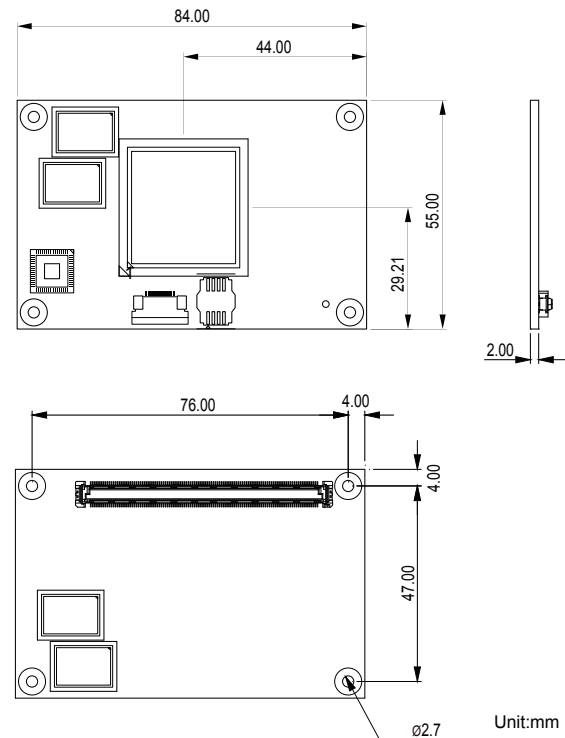
- Fanless Design
- Soldered onboard Intel® Atom™ E3800 family
- Integrated Gigabit Ethernet
- Single Channel 24-bit LVDS and DDI port
- 1 x USB 3.0 port, 8 x USB 2.0 ports, 2 x Serial ports
- Support Dual Independent Displays
- **Extended Operating Temp.: -20 ~ 70°C**

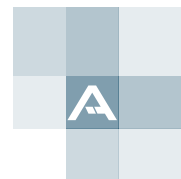
System	
CPU	Soldered onboard Intel® Atom™ E3825 1.33GHz or E3845 1.91GHz
Memory	Soldered onboard 2GB DDR3L SDRAM
BIOS	Insyde BIOS
I/O	
Serial Port	2 x Serial Ports (RX/TX only, via LPC to UART EXAR XR28V382)
USB Port*	8 x USB 2.0 ports(Port0~2 support USB2.0 only) 1 x USB 3.0 port
Expansion Bus	3 x PCIe x1 Gen2 lanes SPI, and LPC (Low Pin Count) interface
Storage	2 x Serial ATA ports with 300MB/s HDD transfer rate
Ethernet Chipset	1 x Intel i210IT PCIe GbE controller
AUDIO/ Interface	HD AUDIO link
Display	
Graphics Chipset	Integrated Intel® Gen 7 Graphics
Graphics Interface	LCD: Single channel 24-bit LVDS port 1 x DDI port
OS Support	
Windows 7 32-bit/ 64-bit	
Windows 8.1 32-bit/ 64-bit	
Linux: Ubuntu	

Mechanical & Environmental

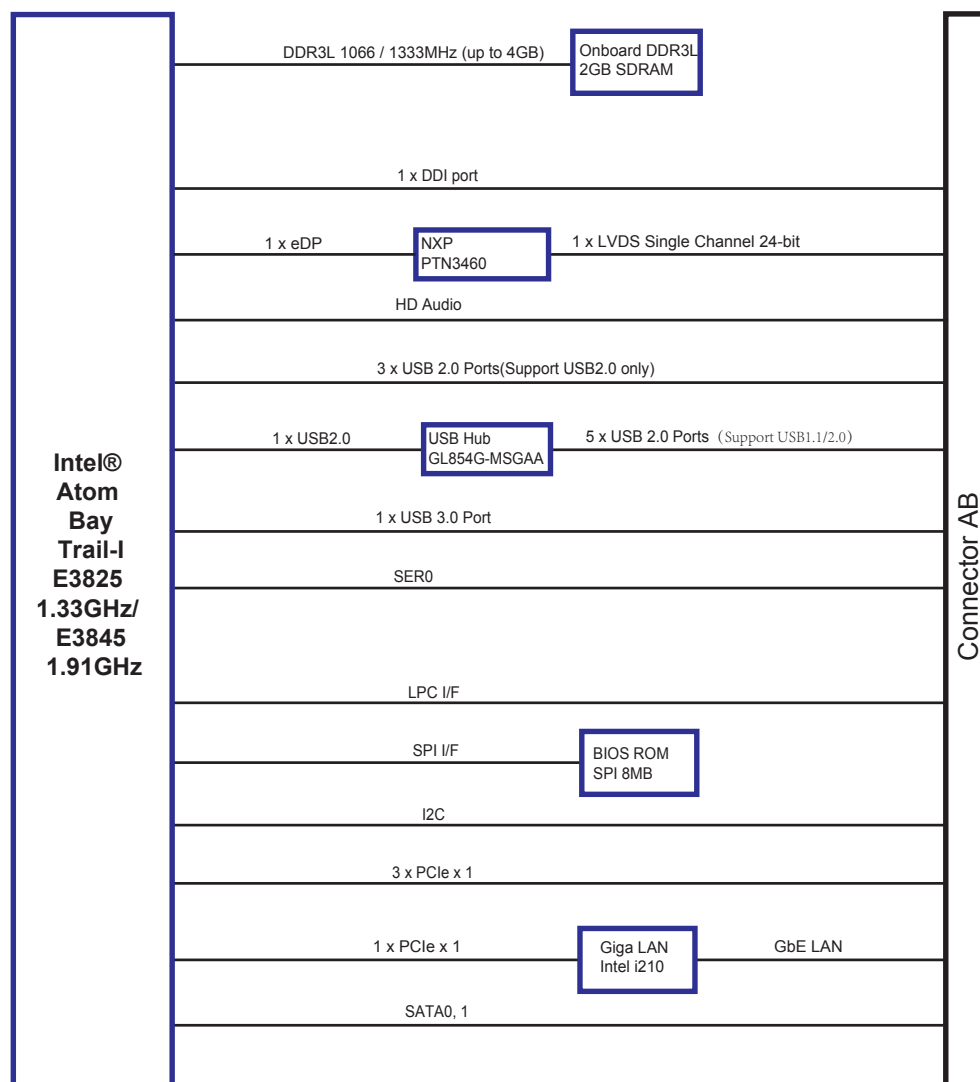
Power Requirement	+12V / +5V auto detect
Power Consumption	1.05A@+12V with E3825 (Typical, with PBN-9007)
Operating Temp.	-20 ~ 70°C (-4 ~ 158°F)
Operating Humidity	10~ 95%@70°C (non-condensing)
Dimensions (L x W)	84 x 55 mm (3.30" x 2.17")

Dimensions





Block Diagram



Ordering Information

EmNANO-i2300-E3825-2G-2S	Intel® Atom™ processor E3825 COM Express Type 10 CPU module with 2GB memory soldered on CPU module, 2 UART
EmNANO-i2300-E3845-2G-2S	Intel® Atom™ processor E3845 COM Express Type 10 CPU module with 2GB memory soldered on CPU module, 2 UART

Optional Accessories

HS-0660-F2-T	Heat spreader with threaded standoffs 84x55x11mm
HS-0660-F2-NT	Heat spreader without threaded standoffs 84x55x11mm
PBN-9007	COM Express® Mini evaluation carrier board (EPIC form factor)
CBK-05-9007-00	Cable Kit 1 x USB cable 1 x serial port cable 1 x SATA cable 1 x SATA power cable 1 x PS/2 cable