

Features

- PoE (Power over Ethernet)
- Modbus TCP, Modbus RTU and DCON protocol
- Excellent C/P ratio (cost/performance)
- High-resolution color touch screen
- RS-485 (including Self-Tuner)
- RTC (Real Time Clock)
- Speaker or buzzer
- Free HMIWorks development tool
- Supports the popular C programming language
- Supports Ladder Designer
- ESD Protection: 4 kV
- Operating temperature: -20 ~ 70°C

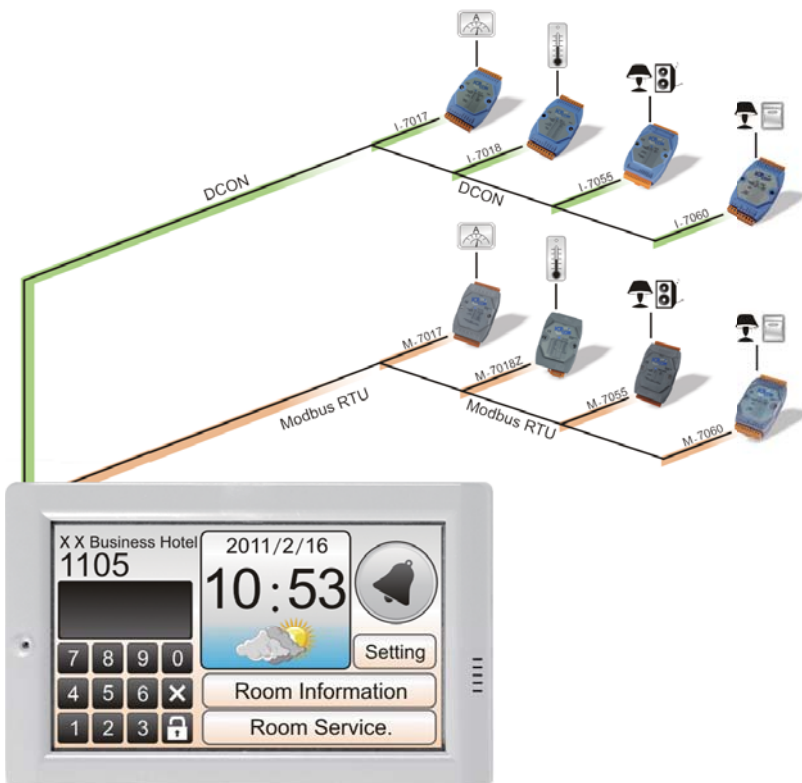


Introduction

TPD-430/TPD-430-EU/TPD-433/TPD-433-EU, TouchPAD, is a series of tiny touch HMI and designed for building and home automation. TPD-430/TPD-430-EU/TPD-433/TPD-433-EU is equipped with high resolution TFT color touch screen and fits in with regular electrical wall-mount outlet. Besides, it is seamlessly integrated with rich I/O modules and presents beautiful, flexible and user-defined picture frame. In short, it is the best choice to upgrade the mechanical switch to intelligent control pads.

For PLC users, HMIWorks provides Ladder Designer, and for IT users, C language environment is provided. Especially, it only takes no more than 30 minutes to learn how to create an application program of TPD-series devices when using Ladder Designer. With all the features provided, TPD-series touch HMI Devices must be the most cost effective HMI Device ever been in the market.

Applications



TPD-430-EU/TPD-433-EU with European 86 x 86 mm Outlet Box



TPD-430/TPD-433 with US Outlet Box

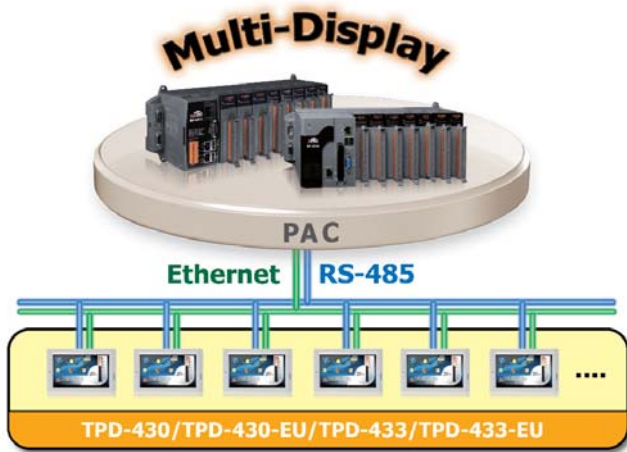


TPD-430/TPD-433 with External Wall Box EWB-T43

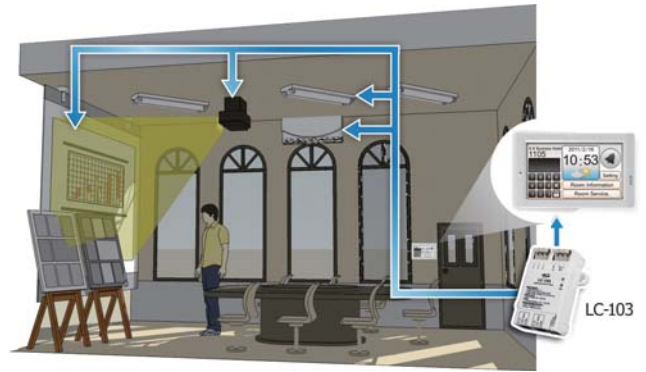


Applications

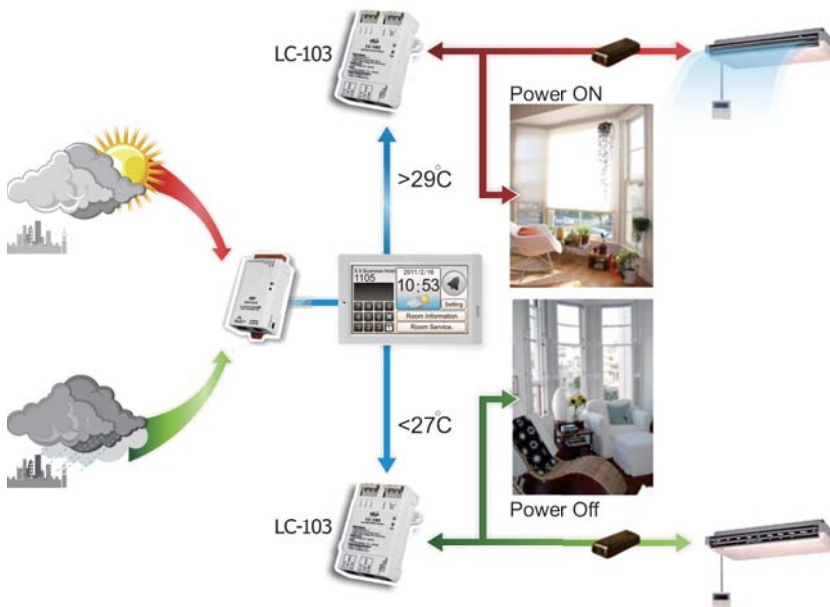
Multi-Display



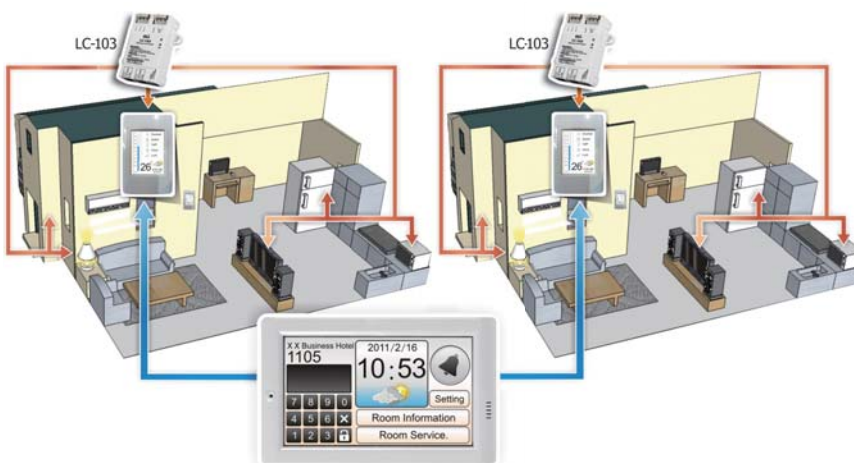
Meeting Room Example



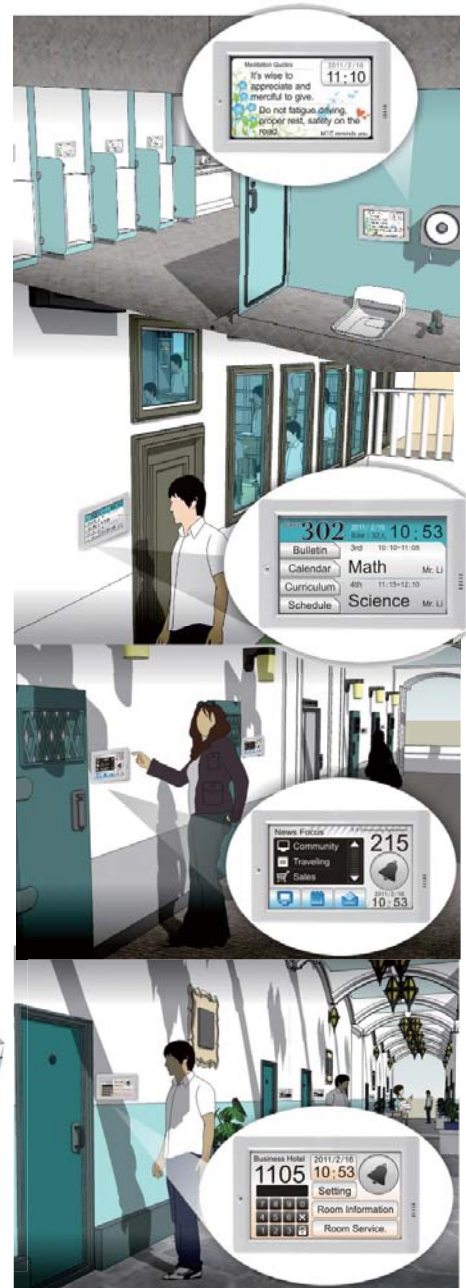
Temperature Control Example



Intelligent Building Example



TouchPAD Anywhere



1

Touch HMI Devices

2

TPD Series

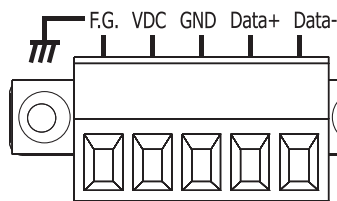
TPD-430/TPD-430-EU/TPD-433/TPD-433-EU

Specifications

Models	TPD-430	TPD-430-EU	TPD-433	TPD-433-EU
CPU Module				
CPU	32-bit RISC CPU			
Memory Expansion	16 MB SDRAM / 8 MB Flash			
Real Time Clock (RTC)	Yes			
Speaker	Yes			
Rotary Switch (0-9)	Yes			
Communication Interface				
Serial Port	RS-485 (including Self-Tuner)			
USB 1.1 Client	Firmware updates only			
Ethernet	-		Yes (RJ-45 x 1, 10/100 Base-TX)	
MMI (Main Machine Interface)				
LCD	4.3" TFT(Resolution 480 X 272 X 16), defective pixels <= 3			
Backlight Life	20,000 hours			
Brightness	400 cd/m2			
Touch Panel	Yes			
LED Indicator	Yes			
Reset Button	Yes			
Electrical				
Power Input Range	+10 ~ 30 Vdc		+10 ~ 30 Vdc or PoE (Power over Ethernet)	
Power Consumption	2.5 W (104 mA @ 24 Vdc)		2.5 W (104 mA @ 24 Vdc) or IEEE 802.3af, Class 1	
Mechanical				
Dimensions (W x L x H)	126 mm x 82 mm x 24 mm	126 mm x 92 mm x 29 mm	126 mm x 82 mm x 24 mm	126 mm x 92 mm x 29 mm
Installation	Wall Mount (Suitable for the outlet box in United States)	Wall Mount (Suitable for the European 86mm x 86mm outlet box)	Wall Mount (Suitable for the outlet box in United States)	Wall Mount (Suitable for the European 86mm x 86mm outlet box)
Environmental				
Operating Temperature	-20 ~ +70 °C			
Storage Temperature	-30 ~ +80 °C			
Ambient Relative Humidity	10 ~ 90% RH, non-condensing			

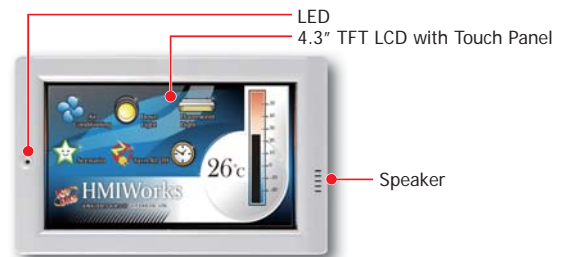
Pin Assignments

TPD-430/TPD-430-EU/TPD-433/TPD-433-EU

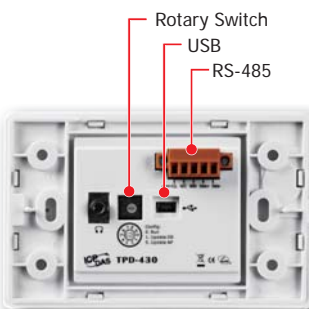


Appearance

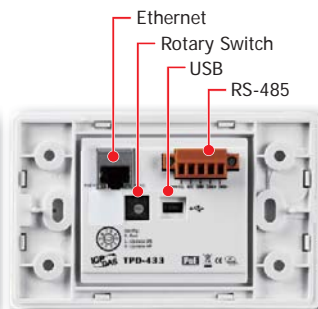
TPD-430/TPD-430-EU/TPD-433/TPD-433-EU Front View



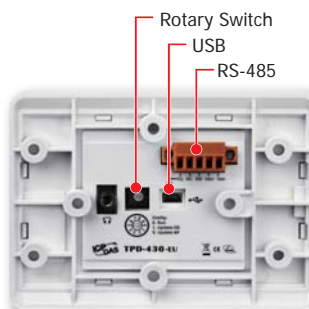
TPD-430 Rear View



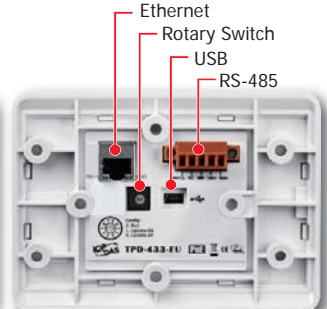
TPD-433 Rear View



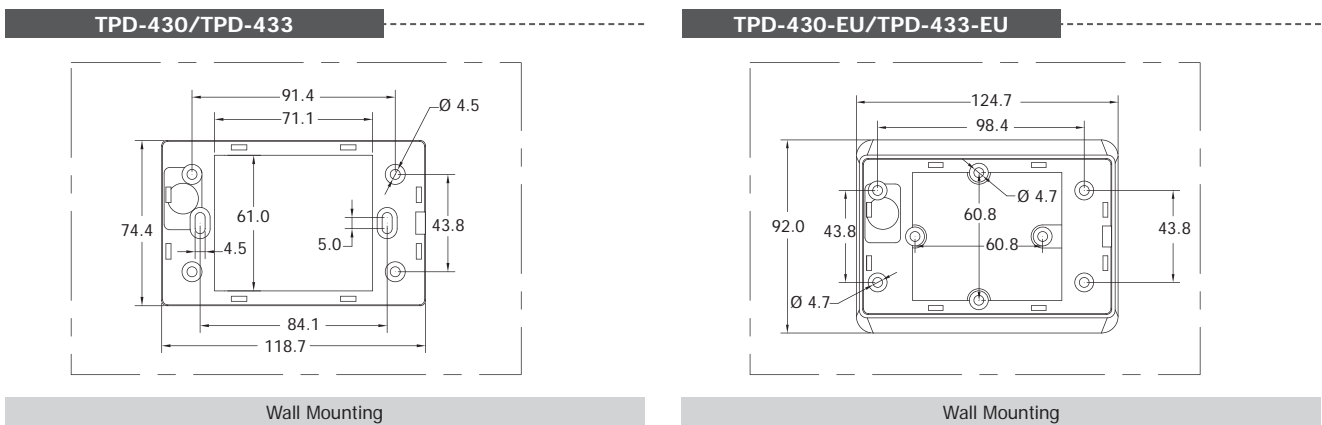
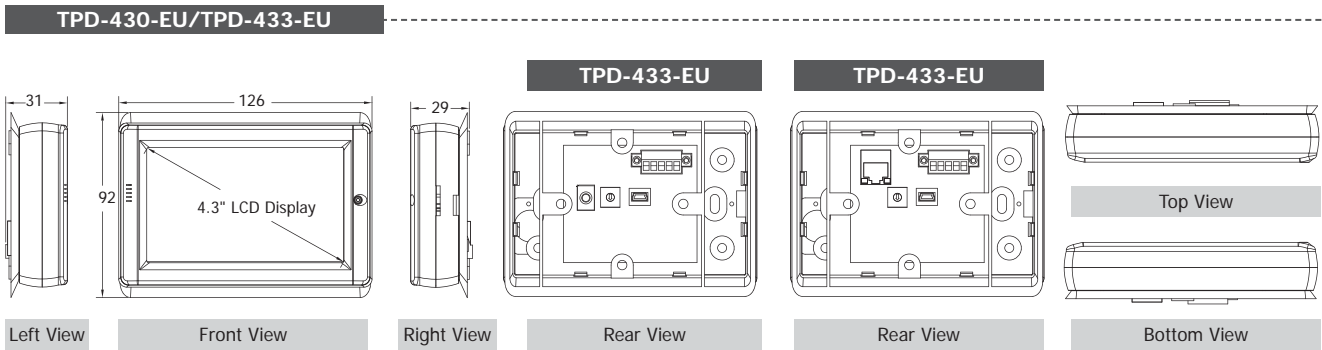
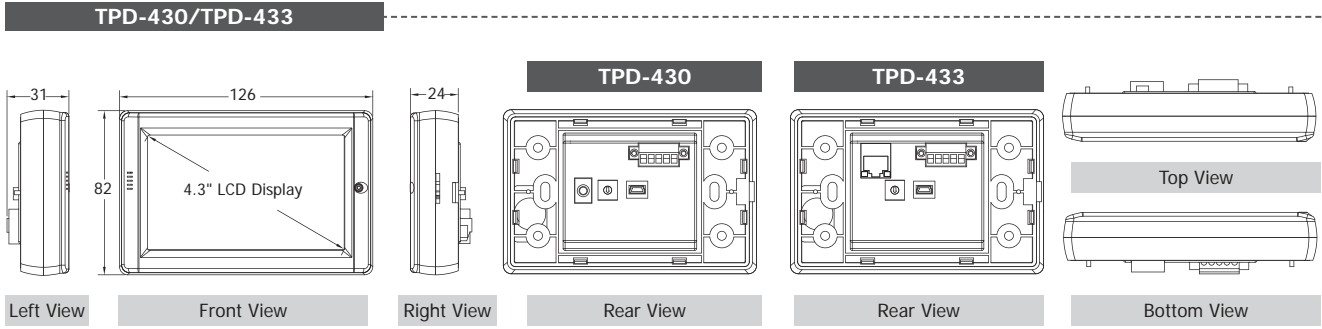
TPD-430-EU Rear View



TPD-433-EU Rear View



Dimensions (Units: mm)



Ordering Information

TPD-430 CR	4.3" Touch HMI device with RS-485, USB, RTC, Suitable for the Outlet Box in United States (RoHS)
TPD-430-EU CR	4.3" Touch HMI device with RS-485, USB, RTC, Suitable for the European 86 x 86 mm Outlet Box (RoHS)
TPD-433 CR	4.3" Touch HMI device with Ethernet, RS-485, USB, RTC, Suitable for the Outlet Box in United States (RoHS)
TPD-433-EU CR	4.3" Touch HMI device with Ethernet, RS-485, USB, RTC, Suitable for the European 86 x 86 mm Outlet Box (RoHS)

Accessories

	CA-USB10	USB to 5P Mini-USB, 28AWG, 1.5 m
	1C016	2.4 mm Screw driver
	MDR-60-24 CR	24 VDC/2.5 A, 60 W Power Supply with DIN-Rail Mounting (RoHS)
	DIN-KA52F CR	24 VDC/1.04 A, 25 W Power Supply with DIN-Rail Mounting (RoHS)

	EWB-T43	External Wall Box for TPD-430/TPD-433
	OB120	Outlet Box for TPD-280/TPD-280U/TPD-283/TPD-430/TPD-433 Devices
	LC-103	Lighting Control Module with RS-485