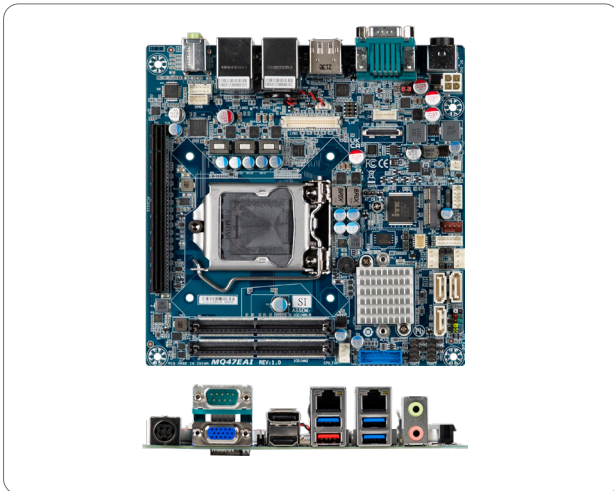


mITX-Q47EA (MQ47EAI)

Mini-ITX with Intel® Q470E Chipset, support 10th Generation Intel® Core™ Processors, Dual channel DDR4 memory, PCIe, 2 x COM, 10 x USB, 3 x SATA 6Gb/s



Features

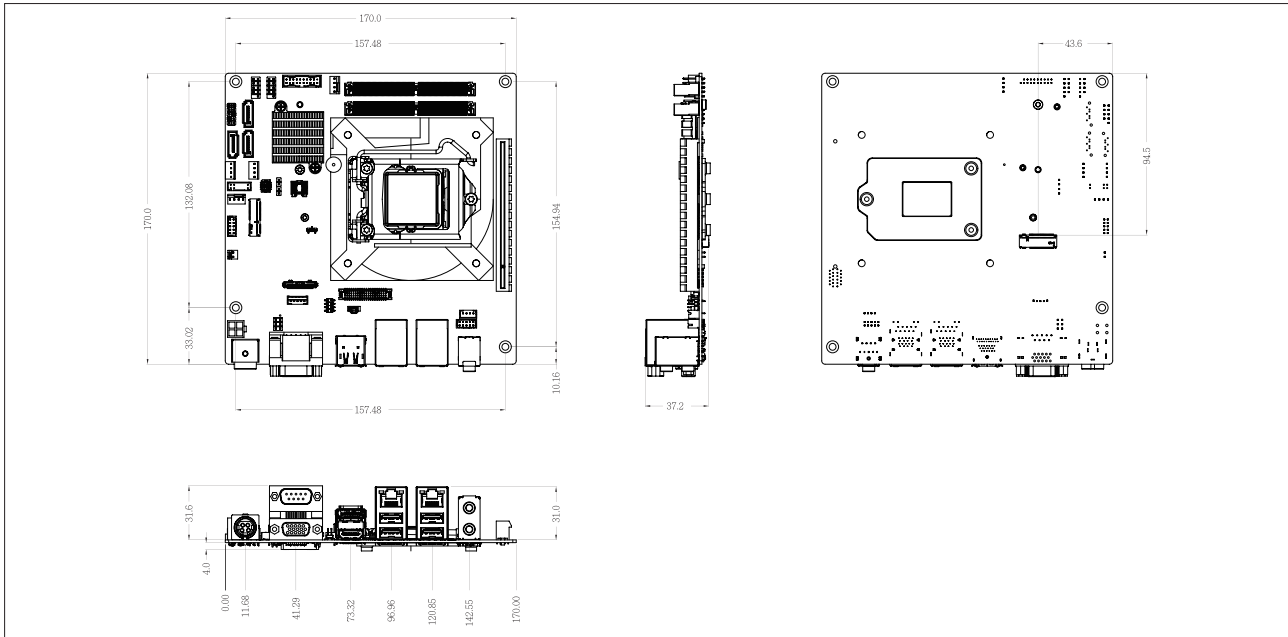
- Mini-ITX form factor
- Support 10th Generation Intel® Core™ Processors
- Intel® Q470E Express Chipset
- Dual Channel DDR4, 2 x SO-DIMMs
- 2 x GbE LAN Ports
- 3 x SATA 6Gb/s Ports
- HDMI, Display Port, D-sub, eDP/LVDS Ports for multiple display
- 1 x USB 3.2 Gen 2x1 port with 10Gb/s Speed
- 1 x COM Port (RS-232/422/485 & RI/5V/12V)
- 1 x COM Port (RS-232)

Specifications

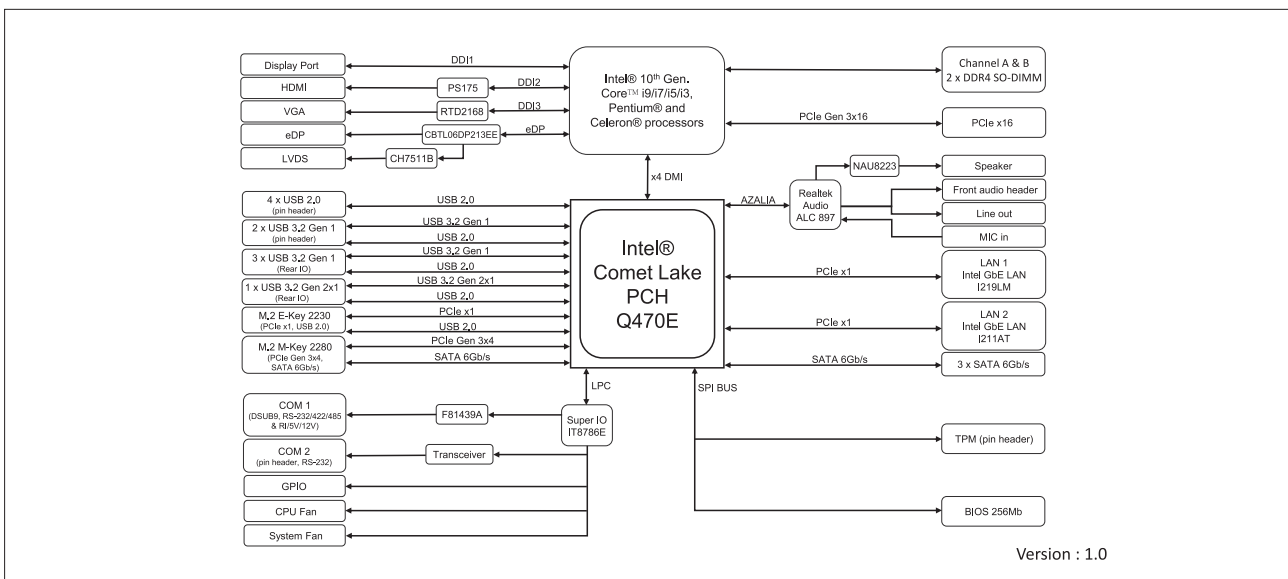
Form Factor	Mini-ITX 170W x 170D (mm)
CPU	Support for 10th Generation Intel® Core™ i9/ i7/ i5/ i3, Pentium® and Celeron® processors in the LGA1200 package TDP under 65W L3 cache varies with CPU
Socket	1 x LGA 1200
Chipset	Intel® Q470E Express Chipset
Memory	2 x DDR4 SO-DIMM sockets, Max. Capacity 64 GB Support Dual channel DDR4 2933/2666 MHz memory modules
Ethernet	2 x GbE LAN Ports (Intel® I219LM and Intel® I211AT)
Video	Integrated Graphics Processor - depends on CPU : 1 x HDMI 2.0 port, supporting a maximum resolution of 4096x2160 @60Hz 1 x DP 1.4 port, supporting a maximum resolution of 4096x2160 @60Hz 1 x D-sub port, supporting a maximum resolution of 1920x1200 @60Hz 1 x eDP port, supporting a maximum resolution of 4096x2160 @60Hz 1 x LVDS port, supporting a maximum resolution of 1920x1080 @60Hz * eDP connector is alternative with LVDS port, only one can be worked at the same time (3 independent display outputs)
Audio	Realtek® ALC897
Storage	3 x SATA 6Gb/s Ports
Raid	Intel® RAID 0/1/5/10
Expansion Slots	1 x PCIe x16 (Gen3 x16) 1 x 2280/2242 M.2 M-Key (PCIe Gen3 x4, SATA 6Gb/s) 1 x 2230 M.2 E-Key (PCIe x1 + USB2.0)

Internal I/O	1 x 4-pin ATX main power connector 2 x SATA power connectors 1 x CPU fan header 1 x System fan header 1 x Front panel header 1 x Front panel audio header 1 x 2W Speaker out header 4 x USB 2.0 headers 2 x USB 3.2 Gen 1 headers 1 x COM header (RS-232) 1 x Clear CMOS jumper 1 x GPIO (8-bits) & SMBus header 1 x Backlight Control header 1 x Buzzer 1 x ATX Control header 1 x AT/ATX mode select jumper
Rear I/O	2 x Audio Jacks (Line out, Mic in) 1 x COM Port (RS-232/422/485 & RI/5V/12V) 1 x HDMI 1 x Display Port 1 x D-sub 2 x RJ45 LAN Ports 3 x USB 3.2 Gen 1 1 x USB 3.2 Gen 2x1 1 x DC Jack (+12V/+19V~24VDC)
TPM	1 x TPM header
OS Compatibility	Windows 10 (x64)
Operating Properties	Operating temperature: 0°C to 60°C Operating humidity: 0-90% (non-condensing) Non-operating temperature: -40°C to 85°C Non-operating humidity: 0%-95% (non-condensing)
Packing Content	Carton size: 465 x 351 x 217 (mm) Packing Capacity: 10pcs Single Box size: 221 x 178 x 65 (mm) Including: IO Shield x 1 (12AIO-MQ47EA-10R) SATA power Cable x 2 (25CRI-300B01-K1R)
Order Information	9MQ47EAIMR-SI (Box Packing)

GIGAIPC reserves the right to modify or change technical data without prior notice.



Block Diagram



Optional Kit

Part No.	Description	Quantity
9CTM000NR-00	TPM 2.0 module	1
25CRZ-100600-S9R	TPM Cable	1

GIGAIPC reserves the right to modify or change technical data without prior notice.