

KIEN7009

9 port layer 2 simple managed DIN-Rail switches



» Overview

KIEN7009 is one of Kyland green low power consumption industrial Ethernet switch series. It is equipped with 3 100Base-FX optic ports and 6 10/100Base-TX copper ports, making it ideal for building a fast Ethernet fiber optic ring and leaving a spare fiber port for uplink use. KIEN7009 is a light managed device, supports DT-Ring, DRP/DHP, VLAN and other protocols to increase system reliability. It is designed especially for harsh environments with wide operating temperature range, EMC level 4, IP40 protection class, It certified by CE, FCC, UL508 and CID2, and can be deployed in wind power, distribution network, automation, transportation, oil & gas and many other industrial applications.

» Key Features

3 fast Ethernet fiber/RJ45 optional ports, 6 10/100Base-T(X) ports

Supports DT-Ring and DRP/DHP protocols

Supports one-key recovery

Provides Mini USB Console port

UL508, Class I Div 2, CE, FCC certificate

» Product Specifications

>Software Functions

-Switching

Support VLAN, PVLAN

Support port flow control (New)

Support port speed limit (New)

-Redundancy

Support DT-Ring, DT-Ring+, DT-VLAN with the recovery time<50ms

Support DRP/DHP with the recovery time<20ms

Support STP/RSTP (New)

-Service Quality

Support SP, WRR queue scheduling (New)

-Management & Maintenance

Support Console, Telnet, WEB management methods

Support SNMPv1/v2c/v3, Kyvision centralized management

Support software upgrade by FTP and TFTP

Support power, port and ring alarm

Support RMON

Support port mirroring (New)

Support LLDP

Support Link-check

-IP Management

Support DHCP client (New)

>Technical Specifications

-Standard

IEEE 802.3i(10Base-T)

IEEE 802.3u(100Base-T and 100Base-FX)

IEEE 802.3x(Flow Control)

IEEE 802.1p (Class of Service)

IEEE 802.1Q(VLAN)

IEEE 802.1w (RSTP)

-Switch Properties

Priority Queues: 4

Number of VLANs: 256

VLAN ID: 1–4093

MAC Table: 8K

Packet Buffer: 1Mbit

Packet Forwarding Rate: 1.4Mpps

Switching Delay: <5 μ s

-Interface

Fast Ethernet Port:

100Base-FX, SM/MM, SC/ST/FC connector

10/100Base-T(X), RJ45 port

Console Port: Mini USB

Alarm Contact:

3-pin 5.08mm-spacing plug-in terminal block,250VAC/220VDC Max,2A Max

-Ethernet ports, fibre optic cables

Wavelength: 1310 nm (Fast Ethernet Basic)

Output capacity in dBm: -20 dBm ...-13 dBm (MM) / -12 dBm ...-4 dBm (SM) (Fast Ethernet Basic)

Receiver sensitivity: \leq -31 dBm (MM) / \leq -34 dBm (SM) (Fast Ethernet Basic)

-LED

LEDs on Front Panel

Running LED: Run

Alarm LED: Alarm (12/24/48VDC model only)

Power LED: PWR1,PWR2

Ring LED: Ring

Interface LED: Link/ACT, Speed (RJ45 port); Link/ACT(Fiber port)

-Button

Reset: Reboot and restore default configuration

-Power Requirements

Power Input:

100-240VAC, 50/60Hz; 110-220VDC(85-264VAC/77-300VDC)

24-48VDC(18-72VDC)

12-24VDC(9-36VDC)

Power Terminal:

5-pin 5.08mm-spacing plug-in terminal block

Power Consumption: <8.1w

Overload Protection: Support

Reverse Protection: Support

Redundancy Protection: Support (12/24/48VDC)

-Physical Characteristics

Housing: Metal

Cooling: Natural convection, fanless

Protection Class: IP40

Dimension:

53.6mm×135mm×106.5mm(W×H×D) (12/24/48VDC)

66mm×135mm×107.5mm (W×H×D) (220VAC/DC)

Weight: 0.76Kg

Mounting: DIN-Rail or Panel Mounting

-Environmental Limits

Operating Temperature:

-40°C to +85°C(12/24/48VDC)

-40°C to +75°C(220VAC/DC)

Storage Temperature: -40°C to +85°C

Ambient Relative Humidity: 5-95% (non-condensing)

-Quality Assurance

MTBF: 385000 hrs

Warranty: 5 years

-Approvals

CE(EMC), CE(LVD), FCC: Models with HV:100-240VAC,50/60Hz;110-220VDC

UL508, Class I Div 2: Models with L2:24-48VDC

CE(EMC), FCC: Models with L2:24-48VDC and L5:12-24VDC

IEC 60950-1, EN 60950-1

-Industry Standard

EMI:

FCC CFR47 Part 15,EN55022/CISPR22,Class A

EMS:

IEC61000-4-2(ESD) $\pm 8\text{kV}$ (contact), $\pm 15\text{kV}$ (air)

IEC61000-4-3(RS) 10V/m(80MHz–2GHz)

IEC61000-4-4(EFT) Power Port: $\pm 4\text{kV}$;Data Port: $\pm 2\text{kV}$

IEC61000-4-5(Surge) Power Port: $\pm 2\text{kV}/\text{DM}$, $\pm 4\text{kV}/\text{CM}$; Data Port: $\pm 2\text{kV}$

IEC61000-4-6(CS) 10V (150kHz–80MHz)

Machinery:

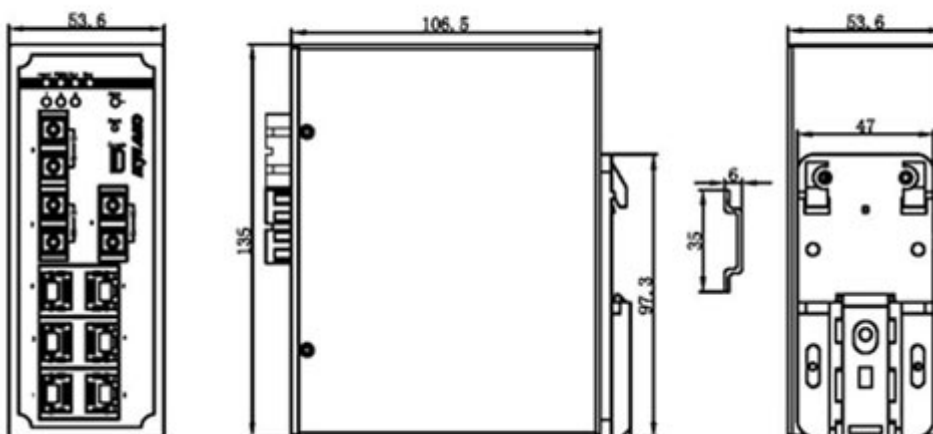
IEC60068-2-6 (Vibration)

IEC60068-2-27 (Shock)

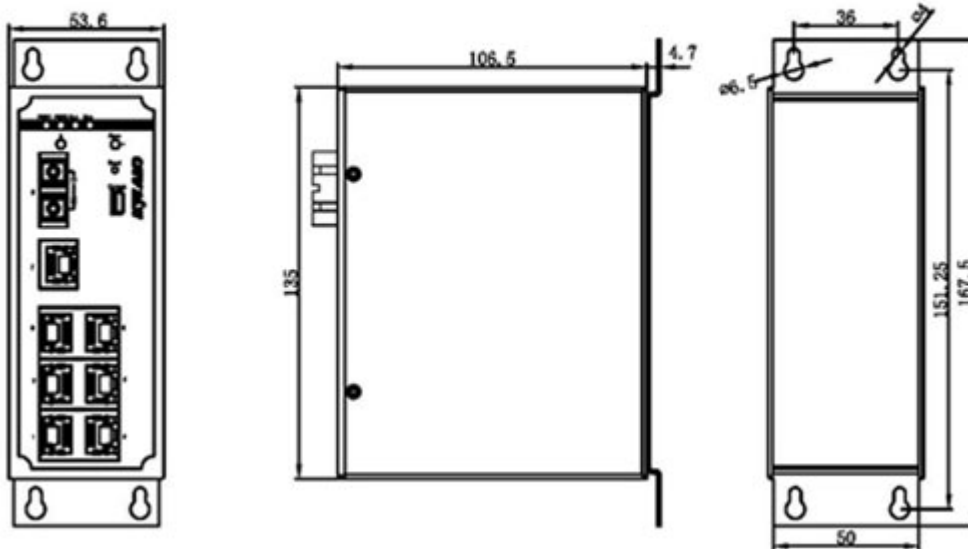
IEC60068-2-32 (Free Fall)

» Mechanical Drawing

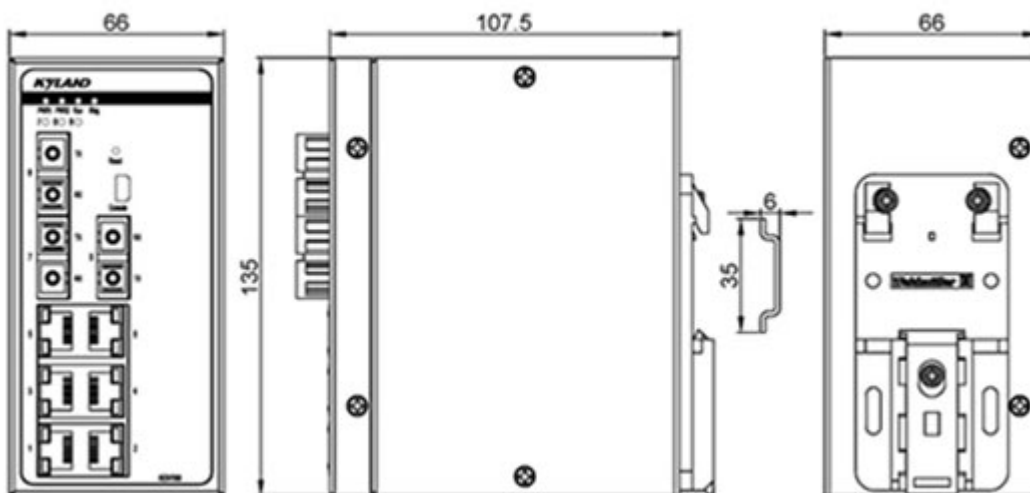
KIEN7009 DIN Rail Mounting



KIEN7009 Panel Mounting



KIEN7009-HV DIN Rail Mounting



Ordering Information

KIEN7009-Ports-Connector-PS1-PS2

KIEN7009-Ports-Connector-PS1

Ports

3S6T	3x100Base-FX, single mode fiber port; 6x10/100Base-T(X) RJ45 ports
3M6T	3x100Base-FX, multi mode fiber port; 6x10/100Base-T(X) RJ45 ports
1S2M6T	1x100Base-FX, single mode fiber port; 2x100Base-FX, multi mode fiber ports; 6x10/100Base-T(X) RJ45 ports
2S1M6T	2x100Base-FX, single mode fiber ports; 1x100Base-FX, multi mode fiber port; 6x10/100Base-T(X) RJ45 ports
2S6T	2x100Base-FX, single mode fiber port; 6x10/100Base-T(X) RJ45 ports
2M6T	2x100Base-FX, multi mode fiber port; 6x10/100Base-T(X) RJ45 ports
2S4T	2x100Base-FX, single mode fiber port; 4x10/100Base-T(X) RJ45 ports
2M4T	2x100Base-FX, multi mode fiber port; 4x10/100Base-T(X) RJ45 ports
1S7T	1x100Base-FX, single mode fiber port; 7x10/100Base-T(X) RJ45 ports

1M7T	1x100Base-FX, multi mode fiber port; 7x10/100Base-T(X) RJ45 ports
8T	8x10/100Base-T(X) RJ45 ports
Connector	100M fiber port specifications
SC05	SC connector, multi-mode, 1310nm, 5km
ST05	ST connector, multi-mode, 1310nm, 5km
FC05	FC connector, multi-mode, 1310nm, 5km
SC40	SC connector, single-mode, 1310nm, 40km
ST40	ST connector, single-mode, 1310nm, 40km
FC40	FC connector, single-mode, 1310nm, 40km
SC60	SC connector, single-mode, 1310nm, 60km
SC80	SC connector, single-mode, 1550nm, 80km
NA	No 100Base-FX fiber port
PS1-PS2	
L2-L2	24-48VDC (18-72VDC), redundant power inputs
L5-L5	12-24VDC (9-36VDC), redundant power inputs
PS1	
HV	100-240VAC, 50/60Hz; 110-220VDC (85-264VAC/77-300VDC), single power input
Accessories	
DT-BGAZ-02	Panel for panel mounting
DT-FCZ-RJ45-01	Dustproof cover for RJ45 port
DT-XL-Mini USB-USB-2m	Mini USB to USB cable for Console management, 2m

Version:2021-03-22 11:49:42