

W10IB3S-PCH2LB, 10.1-inch S Series HMI

Enhanced User Experience with PCAP Touch and All-Around LED Status Light Bar

The S Series HMI - W10IB3S-PCH2LB is a 10.1-inch panel PC designed specifically as an interface for smart access control. What makes the series stand out include the features of the PoE function, which allows the transfer of data and electrical power simultaneously resulting in a reduction of installation costs and power consumption, as well as the integrated RFID technology that limits the access only to specific personnel. Ease of cleaning has also been taken into consideration and resulted in the series being built with a true flat surface for easy cleaning and avoiding clogged dust on the edges while delivering superior readability. Experience ultimate access control with all-around programmable LED status light bar for a diverse range of applications including access control systems, conference room management platforms, interactive POS/ kiosk terminals, and many more smart facility control scenarios.



Highlights

- 10.1" 1280 x 800 Resolution with Projected Capacitive Multi-Touch (PCAP)
- Intel® Celeron® Bay Trail-M N2930, 1.83 GHz
- Fanless cooling system and ultra-low power consumption
- Supports PoE function
- All-around LED status light bar
- Optional HF RFID Reader
- Stylish design for room booking, access control and room information applications



W10IB3S-PCH2LB, 10.1-inch S Series HMI

Enhanced User Experience with PCAP Touch and All-Around LED Status Light Bar

Display Specification

Panel Size	10.1" TFT (Wide screen)
Resolution	1280 x 800
Contrast Ratio	800:1 (typ.)
Brightness	350 (typ.) nits ¹
Viewing Angle	-85~85(H); -85~85(V)
Max Colors	16.7M (8 bits/color)
Touch	Projected Capacitive Multi-Touch (PCAP), optional anti-glare coating

System Specification

CPU	Intel® Celeron® Bay Trail-M N2930, 1.83 GHz
System Chipset	Intel® ATOM SoC Integrated
System Memory	2 GB DDR3L 1600 SODIMM (Optional 8 GB) ²
Storage	64 GB M.2 SSD
Network	Dual Intel® I210-AT GbE LAN
Operating System	Windows 10 IoT Enterprise Windows Embedded 8.1 Industry Pro Windows Embedded 7 Standard

Software

Utility	Hottab
---------	--------

Interface

Ethernet LAN	1 x RJ 45-10/100/1000 Mbps (LAN) 1 x RJ 45 (PoE)
Serial Ports	1 x RS-232/422/485
USB	1 x USB 3.0 1 x USB 2.0
Power Input	1 x Terminal Block 3 pin

Audio

Speaker	1 x 1 Watt speaker
---------	--------------------

Keyboard and Input

LED Indicators	All-around RGB LED status light bar
Touch	PCAP touch

Data Capture

HF RFID	HF RFID Reader (Optional)
---------	---------------------------

Power Management

Power Input	12V DC
Power over Ethernet (PoE)	Power Device (PD), follows IEEE 802.3at (25 W)
Power Consumption	19W

Standards and Certification

EMC	CE
Safety	FCC

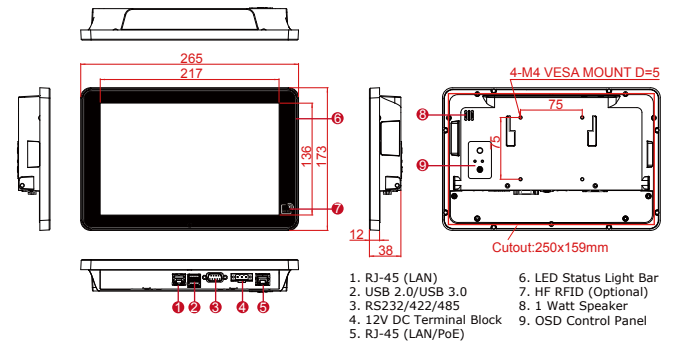
Mechanical Specifications

Cooling System	Fanless
Dimensions	263.28 x 171 x 35.7 ³
Cutout	157.6 x 249 mm
Mounting	VESA Mount (75 x 75 mm), Panel Mount, Front Side Wall Mount

Environment

Operating Temperature	0 °C to 50 °C
Operating Humidity	30% to 90% (non-condensing)
IP Rating	Front IP65 waterproof and dustproof

Drawing ⁴



1. Measured at dimming LCD brightness. Varies depending on the usage conditions, or when an external device is attached.
2. Total usable memory will be less depending upon actual system configuration.
3. Length measurements do not include protrusions. Weight varies with options.
4. This is a simplified drawing and some components are not marked in detail.
5. Accessories and integrated options may vary depending on your configuration.