

## Ultra-small form factor Industrial PC with Intel® Apollo Lake family processor

# Kuber-212A

- Intel® Celeron® processors ("Apollo Lake")
- On Board LPDDR4 DRAM up to 4GB
- Support 4 LAN and M.2 with wireless module
- Extend I/O interface of RS 232/422/485 (Isolation)
- On Board eMMC 5.0 up to 256GB
- Heavy Industry EMC
- Support Extended Temperature and (Optional)



## Specifications

### General

#### CPU

Intel® Celeron N3350, 2 cores, 1.1GHz/2.4 GHz, 6W TDP

#### Memory

On Board LPDDR4 up to 4GB, 2400MT/s  
 Dual memory channel, 64bit, non-ECC

#### Mass Storage

eMMC 5.0 onboard flash 32GB up to 256 GB

#### Power Input

Standard: 12-30 VDC

#### Operation System

Windows® 10 IoT Enterprise LTSB 2016 (64-bit)

#### Expansion

1x M.2 Key E 2230 for Wireless card

### Basic I/O Interface

#### Power Connector

1x 2-Pin Terminal Block

#### Giga LAN

2x 10/100/1000 GbE (Intel® i210)

#### USB

2x USB 3.0

#### Display

1x DP v1.4 4096 x 2160 @ 60Hz

### Extended I/O Interface

2x 10/100/1000 GbE (Intel® i210), Isolation

1x RS 232/422/485 BIOS Configurable, 5V and 12V selectable, Isolation

### EMC Standard

CE, FCC, (EN 55022, EN 55032)



### Environmental and Mechanical

#### Storage Temperature

-40 °C ~ 85 °C

#### Operating Temperature

0°C ~ 50°C

#### Permissible Humidity

5-95% RH operating, non-condensing

5-95% RH storage, non-condensing

#### Vibration

1G, with DIN EN 60068-2-6

#### Shock

15g with 11 ms impulse length, 18 shocks in total (EN 60068-2-27)

#### Degree of Protection

IP 30

#### Dimension

99mm (L) x 63mm (W) x 92 mm (D)

#### Net Weight

0.65 Kg

#### Mounting

DIN-Rail / Wall Mount

#### Cooling

Fan-less

### Optional Accessories

#### Power Adaptor

2-pin Connector, 60W, 24V/2.5A

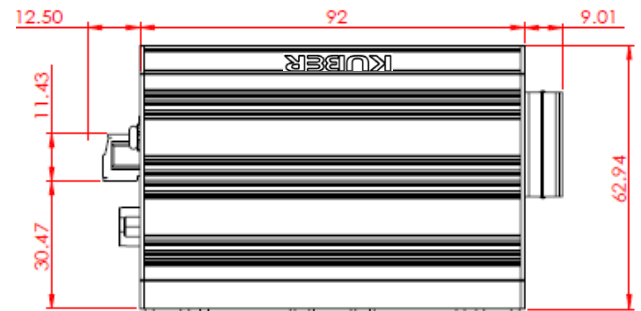
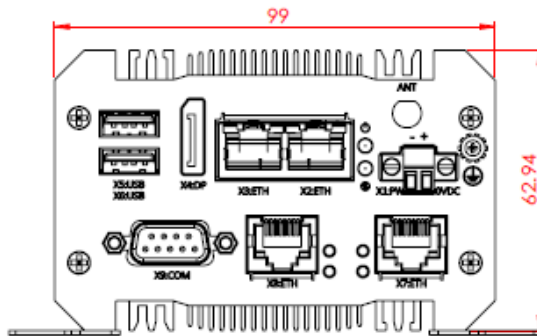
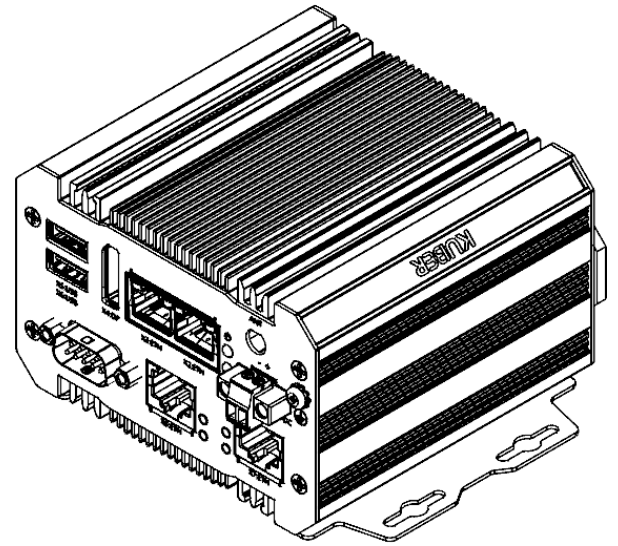
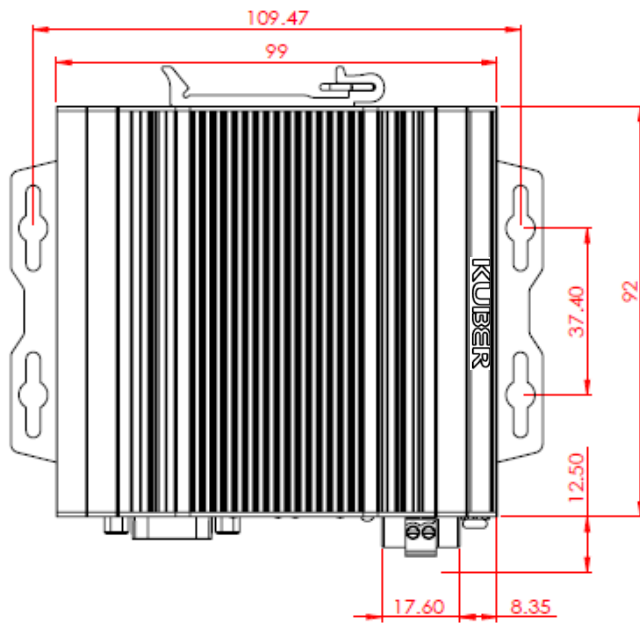
#### Mounting Kit

DIN-Rail / Wall Mount

#### Video Adaptor

DP to VGA/ DP to DVI

# Dimension



**MITWELL, Inc.**  
9F., No.242, Bo'ai St., Shulin Dist.,  
New Taipei City 238, Taiwan  
T: +886-2-7739-5566  
F: +886-2-7715-0690

## Portwell, Inc. Headquarters

No. 242, Bo'ai St., Shu-Lin Dist, New Taipei City  
238, Taiwan  
Tel: +886-2-77318888  
Fax: +886-2-77319888  
E-mail: [info@portwell.com.tw](mailto:info@portwell.com.tw)  
<http://www.portwell.com.tw>

## Americas

**American Portwell (Fremont, CA)**  
44200 Christy St., Fremont, CA 94538, USA  
Tel: +1-510-403-3399  
Fax: +1-510-403-3184  
E-mail: [info@portwell.com](mailto:info@portwell.com)  
<http://www.portwell.com>

**Portwell Latin America (Brazil)**  
Av. Paulista, 1274 - 13 andar, CEP 01310-200, Sao Paulo  
Tel: +55(11) 2309-3513  
<http://www.portwell.com.br>

## India

**Portwell India Technology**  
2<sup>nd</sup> Floor, 5M-665, 5<sup>th</sup> Main Road, OMBR Layout,  
Banawadi, Bangalore -560043, India  
Tel: +91-80-41684255  
E-mail: [info@portwell.in](mailto:info@portwell.in)  
<http://www.portwell.in>

## China

**Shanghai Portwell**  
Room 1303-1, Building 33, 258 Xinzhuang Rd  
Songjiang District, Shanghai, 201612, China  
Tel: +86-21-5771-2505  
Fax: +86-21-5772-2965  
E-mail: [info@portwell.com.cn](mailto:info@portwell.com.cn)  
<http://www.portwell.com.cn>

## Beijing Portwell

4F, Building 5, Quying Zone, Chuangye Rd. 8,  
Shangdi, Haidian District Beijing 100085, China  
Tel: +86-10-8270-1616  
Fax: +86-10-8270-0606  
E-mail: [info@portwell.com.cn](mailto:info@portwell.com.cn)  
<http://www.portwell.com.cn>

## Korea

**Portwell Korea, Inc.**  
O-BIZ Tower 1801, No.126,  
Beolmal-ro, Dongan-gu, Anyang-si,  
Gyeonggi-do, Korea, 431-060  
Tel: +82-31-450-3043  
Fax: +82-31-450-3044  
E-mail: [info@portwellkorea.co.kr](mailto:info@portwellkorea.co.kr)  
<http://www.portwellkorea.co.kr>

## Europe

### European Portwell

Schillingweg 3, 2153 PL  
Nieuw Venneep,  
The Netherlands  
Tel: +31-252-620790  
Fax: +31-252-621325  
E-mail: [info@portwell.eu](mailto:info@portwell.eu)  
<http://www.portwell.eu>

### Portwell Deutschland GmbH

Otto-Hahn-Str. 48, D-83303 Dreieich  
Tel: +49-6103-3008-0  
Fax: +49-6103-3008-199  
E-mail: [info@portwell.de](mailto:info@portwell.de)  
<http://www.portwell.de>

### Portwell (UK) Ltd.

Office T12  
Trident House, Trident Park Basil Hill  
Road, Didcot, OX11 7HJ, UK  
Tel: +44(0)1235-750760  
Fax: +44(0)1235-750761  
E-mail: [info@portwell.co.uk](mailto:info@portwell.co.uk)  
<http://www.portwell.co.uk>

## Japan

**Portwell Japan, Inc. (Tokyo)**  
〒112-0011 4-27-10, Sengoku, Bunkyo-ku,  
Tokyo, Japan  
Tel: +81-3-6902-9225  
Fax: +81-3-6902-9228  
E-mail: [info@portwell.co.jp](mailto:info@portwell.co.jp)  
<http://www.portwell.co.jp>

### Portwell Japan, Inc. (Osaka)

〒532-0004 Ste.501 Nippo Shin-osaka Dai-2 Bldg,  
1-8-33 Nishi-Miyahara, Yodogawa-ku Osaka Japan  
Tel: +81-6-4807-7721  
Fax: +81-6-4807-7729  
E-mail: [info@portwell.co.jp](mailto:info@portwell.co.jp)  
<http://www.portwell.co.jp>

All products and company name listed are trademarks or trade names of their respective companies.  
Updated by Mar. 29th, 2019. ©2019 Mitwell, Inc. All Rights Reserved.  
All specifications are subject to change without further notice