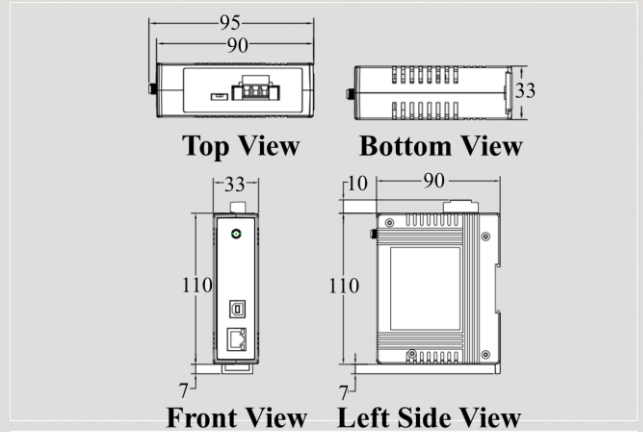




Ethernet to Wi-Fi Bridge



WF-2572

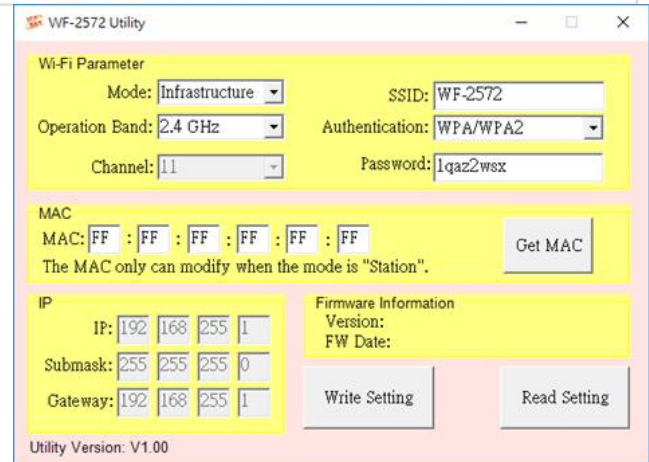


Dimensions

The WF-2572 is an industrial Ethernet to Wi-Fi Bridge. The device only needs to connect the Ethernet cable with WF-2572 that can create an IEEE 802.11 a/b/g wireless personal network. The interface between Ethernet and Wi-Fi use transparent transmission so that it can convert Wi-Fi to wire internet without complex settings. The WF-2572 also supports dual bands (2.4/5 GHz). The 2.4 GHz is more crowded than 5 GHz. Therefore, the devices on 2.4 GHz suffer much more interference than the ones on 5 GHz. The WF-2572 has less interference on 5 GHz.

Features

- Frequency: ISM 2.4/5 GHz
- Full compatible with IEEE 802.11 a/b/g
- Support WPA-PSK, WPA2-PSK for Wi-Fi encryption
- Plug-and-Play Ethernet to Wi-Fi connectivity
- USB base configuration
- No driver installation required
- Built-in Watchdog
- Operating temperatures, -25 °C ~ +75 °C

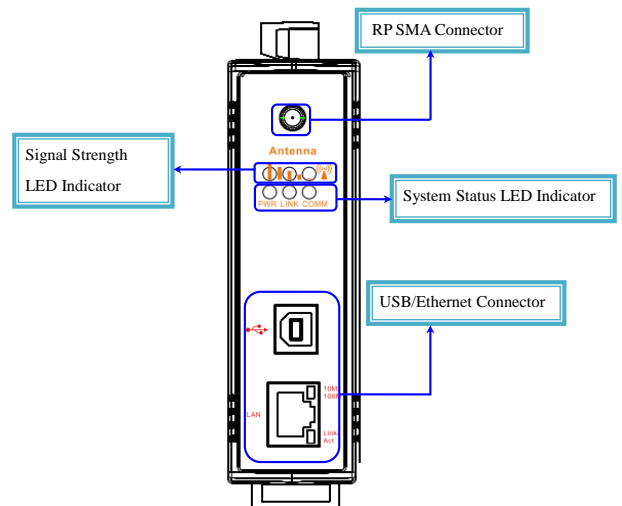


Utility Features

WF-2571 utility provides an easy way to configure the wireless connection settings via USB interface without any drivers.

- Configuration by USB interfaces.
- Easily and quickly configure
- Support setting of Wi-Fi Infrastructure and Limit-AP mode.
- Provide encryption configuration
- Provide parameter storage interface

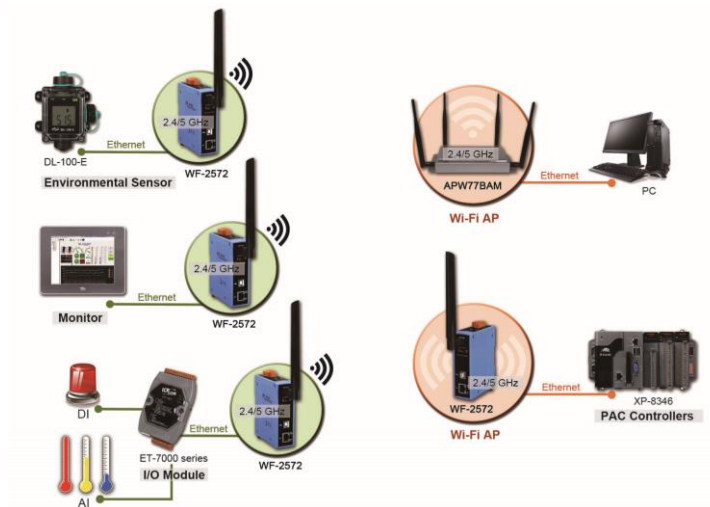
Appearance



Hardware Specifications

RF Specification	
Wireless Standard	IEEE 802.11 a/b/g
Frequency	2.4 GHz: CH1~11 5 GHz: CH36/40/44/48
Operation Mode	Limit-AP/Infrastructure
Sampling Rate	1, 2, 5, or 10 Hz, configured by APP
Encryption	Open/WPA/WPA2
Antenna	Omni-Directional 3 dBi @ 2.4 GHz 5.5 dBi @ 5 GHz
Ethernet	
Controller	100Base-TX Ethernet Controller (Auto-MDIX)
Connector	RJ-45 with LED indicator
USB Interface	
Type	USB 2.0 Full-Speed with USB type B connector
Indicator LED	
System status	3 Indicator LEDs (PWR, LINK, COMM)
Signal strength	3 Indicator LEDs (High, Mid, Low)
Power	
Input Voltage Range	10 ~ 30VDC
Power Consumption	1.6 W
Mechanism	
Casing	Plastic
Dimensions	33 mm x 95 mm x 120 mm (W x L x H)
Environment	
Operation Temp.	-25°C ~ +75°C
Storage Temp.	-30°C ~ +80°C
Humidity	10~90% non-condensing

Applications



Ordering Information

WF-2572 CR

Ethernet to Wi-Fi Bridge (RoHS)