



VITA 15" PPC

15" Frameless Panel PC
with Intel® Bay Trail Processor

Features:

- 15" LCD with capacitive touch screen
- Intel® Bay Trail CPU: Atom™ E3845 / E3825, Celeron® J1900
- DDR3L SODIMM, Max. 8GB
- 2 x GbE, 4 x COM, DVI, VGA, 4 x USB
- Wide Range 9~36V DC input
- Frameless Panel & Aluminum housing

Specifications :

Motherboard	3I385CW	
CPU	Intel® Bay Trail E3845 / E3825 / J1900	
Chipset	Intel Bay Trail SoC	
Memory	DDR3L SODIMM, Max. 8GB	
Storage	mSATA	
Expansion slots	1 x Full-size Mini PCIe (PCIe / USB / mSATA) 1 x Full-size Mini PCIe (PCIe / USB)	
I/O ports	Network	2 x Intel GbE
	USB	4 x USB 3.0
	Serial ports	4 x RS232 / 422 / 485
	Display	1 x VGA, 1 x DVI
Optional Modules & Function	GPS, Bluetooth, PoE, WiFi, 4G LTE, Isolated COM, battery UPS *VESA Mount Kit, *External power adapter	
Certification	CE / FCC	
OS Support	Windows 7, Windows 8.1, Windows 10, Linux	

Mechanical

Dimensions	364.03W x 290.93D x 72.8H mm
Weight	4 kg
Mounting	VESA mount & Stand (optional)

Power

DC input	+9~36V
AC input	External adapter 100 / 240V AC-DC (optional)

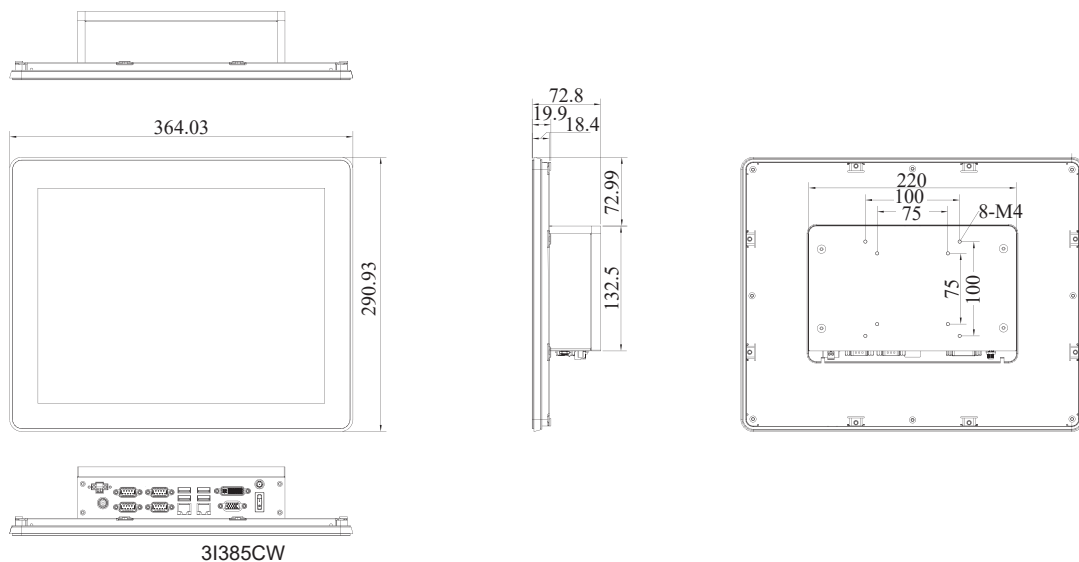
LCD Display & Touch

Display Type	15 inch 4:3
Max. Resolution	1024 x 768
Viewing Angle	80(U), 80(D), 80(R), 80(L)
Luminance (cd/m ²)	350
Contrast Ratio	800:1
Touch Type	Projected Capacitive Touch Screen

Environment

Operating Temp. (100 % CPU usage)	-20°C to +50°C with mSATA
Storage Temp.	-20°C to +70°C
Relative Humidity	95% @ 40°C, non-condensing
IP Rating	Front panel IP65 Compliant

Dimension



Specification are subject to change without prior notice. ODM / OEM is available.