

15" Fanless Aluminum IP66 Protection Touch Panel PC with Intel® Pentium® N4200/ Celeron® N3350 Processor



## Features

- 15" TFT XGA LED Panel with Projected Capacitive/Resistive Touch Display
- Embedded Intel® Pentium® N4200/ Celeron® N3350
- System Memory up to 8 GB DDR3L 1866 SDRAM
- Supports Aluminum Front Cover IP66 Protection
- Internal SATA 2.5" HDD and M.2 Socket
- Panel and VESA Mounting

## Applications

- Human Machine Interface (HMI)
- Factory / Manufacturing Automation
- ATM / Self-service / Kiosk Applications
- Vending Machine / Ticketing Machine

## → Packing List

Description
1 x PPC-N153
1 x Power Adapter & Power Cord
10 x Panel Mounting Screws

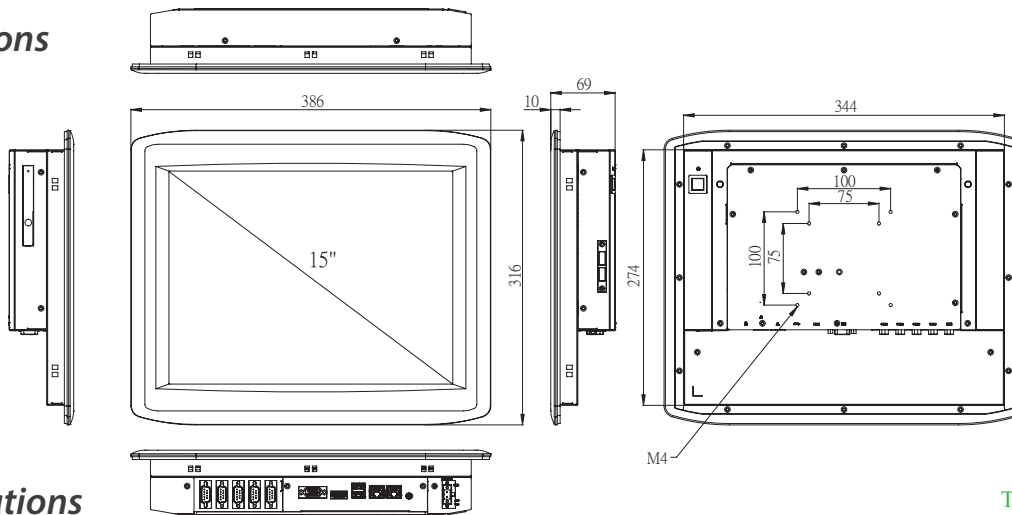
## → Optional Items

Part No.	Description
AWD-3G002	3G (HSPA+) Module + 1 Antenna, Full-size
AWD-4G001	4G (LTE) Module + 2 Antennas, Full-size
AWD-WF001	Wi-Fi 802.11 bgn (1T1R) + 1 Antenna (Single band), Half-size
AWD-WF003	Wi-Fi 802.11 abgn/ac/BT4.0 (2T2R) Module + 2 Antennas (Dual band), Half-size
AWD-WF004	Wi-Fi 802.11 b/g/n + BT4.0(1T1R) + 2 Antenna(Single band), M.2 2230 Type
AWD-WF005	Wi-Fi 802.11 a/b/g/n/ac/BT4.0 (2T2R) + 2 Antenna(Dual band), M.2 2230 type

## → Ordering Information

Part No.	Description
PPC-N153P-1A1	15" Fanless P-Cap Touch Panel PC with Intel® Pentium® N4200, 2 DDR3L, 2 GbE, 2 USB 3.0, 2 USB 2.0, 3 RS-232, 1 RS-232/422/485, 8bits GPIO, line out, mic in, 1 VGA, 1 HDMI, DC 9~36V, Phoenix Connector
PPC-N153P-2A1	15" Fanless P-Cap Touch Panel PC with Intel® Celeron® N3350, 2 DDR3L, 2 GbE, 2 USB 3.0, 2 USB 2.0, 3 RS-232, 1 RS-232/422/485, 8bits GPIO, line out, mic in, 1 VGA, 1 HDMI, DC 9~36V, Phoenix Connector
PPC-N153R-1A1	15" Fanless 5-wire Resistive Touch Panel PC with Intel® Pentium® N4200, 2 DDR3L, 2 GbE, 2 USB 3.0, 2 USB 2.0, 3 RS-232, 1 RS-232/422/485, 8bits GPIO, line out, mic in, 1 VGA, 1 HDMI, DC 9~36V, Phoenix Connector
PPC-N153R-2A1	15" Fanless 5-wire Resistive Touch Panel PC with Intel® Celeron® N3350, 2 DDR3L, 2 GbE, 2 USB 3.0, 2 USB 2.0, 3 RS-232, 1 RS-232/422/485, 8bits GPIO, line out, mic in, 1 VGA, 1 HDMI, DC 9~36V, Phoenix Connector

## → Dimensions



Cut out : 346\*276 mm  
Thickness Limit : 7 mm

## → Specifications

Model		PPC-N153P-1A1	PPC-N153P-2A1	PPC-N153R-1A1	PPC-N153R-2A1	
Processor System	CPU	Intel® Pentium® N4200	Intel® Celeron® N3350	Intel® Pentium® N4200	Intel® Celeron® N3350	
	Frequency	Quad-Core up to 2.5GHz	Dual-Core up to 2.4GHz	Quad-Core up to 2.5GHz	Dual-Core up to 2.4GHz	
	L2 Cache	2 MB				
	System Chipset	N/A				
Memory	BIOS	UEFI				
	Technology	DDR3L 1866 MHz SDRAM				
	Max. Capacity	8 GB				
Display	Socket	2 (204-pin SO-DIMM)				
	Panel Size	15" LED Panel				
	Resolution	1024 x 768 (XGA)				
	Viewing Angle	80 x 80 (H) x 80 x 80 (V)				
	Brightness	300 (cd/m2)				
	Color Support	16.7M				
	Contrast Ratio	600:1				
	Response Time	8 (msec)				
	VGA	VGA, 1920 x 1200 @ 60Hz				
	HDMI	HDMI 1.4b, 1920 x 1200 @ 60Hz				
	Multi Display	LCD + VGA or LCD + HDMI				
	Touchscreen	Touchscreen Type	Projected Capacitive		5-Wire Resistive	
		Surface Hardness	7 Mohs		3 Mohs	
Durability		-		36 millions times		
Transparency		90% (±3%)		80% (±3%)		
I/O Interface	USB	2 USB 3.0, 2 USB 2.0				
	Serial Port	4 COM (3 RS-232, 1 RS-232/422/485)				
	Digital I/O	8-pin Digital I/O (DB-15 connector)				
	Expansion	1 miniPCIe full Size with SIM				
Ethernet	Controller	Dual GbE, 10/100/1000 Mbps (Intel i211AT)				
Audio	Chipset	Realtek High Definition Audio (HD)				
	Connector	Line out				
Storage	M.2	Supports 1 M.2 B/M Key 2242				
	SATA III	1 Internal 2.5" HDD/SSD, Swappable HDD Box (Option)				
Power	Power Adaptor	Supports 9-36 V DC input				
	Connetor Type	2-pin Terminal Block				
	Power Consumption (Typical)	1.2A @ 12V (13.44 W)				
	Power Consumption (Max)	1.33A @ 12V (16.05 W)				
	Battery	Lithium 3V / 210 mAh				
Environment	Operating Temperature	-20~60° C (-4~140° F) w/ Extended Operation Temp. RAM & 2.5" SSD				
	Storage Temperature	-40~85° C (-40~185° F)				
	Humidity	5~95% @ 40° C, non-condensing				
	Vibration	5-500 Hz, 0.026 G <sup>2</sup> /Hz, 2.16 Grms, X, Y, Z, 1 hour per axis				
	Certification	CE,FCC Class A				
General	Ingress Protection	Aluminum Front Cover IP66 Protection				
	Dimensions (L x W x H)	386 x 316 x 69 mm (15.19" x 12.44" x 2.71")				
	Weight	4.2 kg (9.25lb)				
	Operating System	Windows 10 IoT				