



Main Features

- Support 12th Gen Intel® Core™ i9/i7/i5/i3 LGA socket type embedded processor, up to 35W
- Intel® H610E
- Intel® integrated UHD graphic engine
- Support 2 independent 4K2K 60Hz display output.
- 2 x HDMI 2.0
- 2 x USB 3.2, 4 x USB 2.0, 4 x COM
- 1 x GbE LAN, 1 x 2.5G GbE LAN
- Support M.2 Key B/E/M
- Operating temperature: 0~50°C
- Fanless design

Product Overview

Powered by the 12th Gen Intel® Core™ processor series and Intel® 600 series chipset integrated graphics controller, the NDiS B561S fanless visual edge computer can handle powerful multimedia content. With two 4K2K independent display output and rich connectives including 6 x USB, 2 x LAN ports, Wi-Fi 6E and 4G, 5G support, the NDiS B561S can fully satisfy customer's expectation and therefore be used in both in-door and various applications such as self-service KIOSK, vending machine, hospitality and public transportation information system.

Specifications

CPU Support

- 12Gen Intel® Core™ i9/i7/i5/i3 LGA socket type processor, up to 35W
 - Intel® Core™ i9-12900TE, 16 Core, 1.1GHz, 30M Cache
 - Intel® Core™ i7-12700TE, 12 Core, 1.4GHz, 25M Cache
 - Intel® Core™ i5-12500TE, 6 Core, 1.9GHz, 18M Cache
 - Intel® Core™ i3-12100TE, 4 Core, 2.1GHz, 12M Cache

Chipset

- Intel® PCH H610E

Graphics

- Intel® UHD graphics 770 series

Main Memory

- 2 x 262-pin SO-DIMM sockets, support DDR5 4800 MHz non-ECC, un-buffered memory up to 64G (single socket max. 32GB)

I/O Interface-Front

- 1 x Power button
- 1 x Power LED, 1 x HDD LED
- 1 x Reset switch

- 2 x USB 2.0
- 4 x DB9 for COM1~ COM4
 - COM1: RS-232/422/485
 - COM2~4: RS232
- 2 x Antenna hole

I/O Interface-Rear

- +12V DC-in
- 2 x HDMI 2.0
- 2 x USB 3.2, 2 x USB 2.0
- 1 x RJ45 with LED for 10/100/1000Mbps
- 1 x RJ45 with LED for 10/100/1000/2500Mbps
- 1 x SIM card
- 2 x Antenna hole

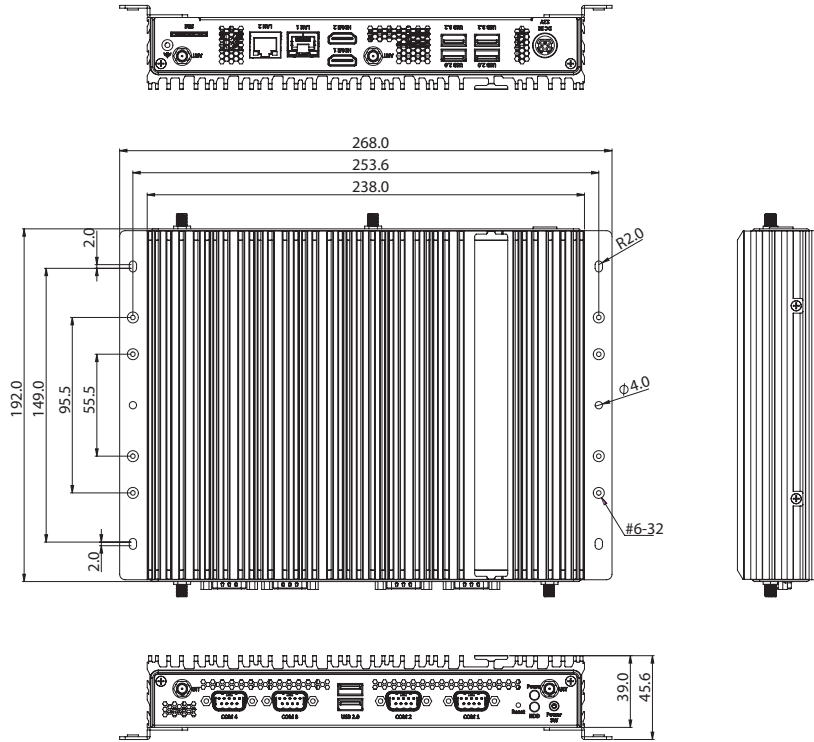
I/O Interface-Internal

- 8CH GPIO support 4 x GPO and 4 x GPI
- Onboard TPM 2.0
- Support iAMT(not for i3)

Storage

- 1 x M.2 2280 (SATA) Key M socket
- 1 x M.2 2280 (PCIe x4) Key M socket

Dimension Drawing



Expansion

- 1 x M.2 2230 Key E (PCIe x2, USB), support optional Wi-Fi modules
- 1 x M.2 3042/3052 Key B (PCIe x1, USB 3.2), support optional 3G, 4G or 5G modules
- 1 x SIM slot

Power Supply

- 1 x External 120W AC/DC power adapter
- Input: 100VAC to 240VAC
- Output: DC +12 VDC

Environment

- Operating temperature: 0°C to 50°C with 0.7 m/s air flow
- Storage temperature: -20°C to 80°C
- Humidity: 10 to 95% (non-condensing)

Certification

- CE Approval
- FCC Class A

Dimensions

- 238mm (W) x 192mm (D) x 39mm (H)

Operating System Support

- Win11/10/Linux

Ordering Information

- **NDiS B560S (P/N: 10W00B56100X0)**
12th Gen Intel® Core™ processor (up to 35W) fanless system, Intel® H610E chipset