

ITP-802GSM-8PH24 & ITP-802GTM-8PH24

◀ IP67, 8x 10/100Base M12 2x 100/1000Base SFP with 8x PoE 180W, 24/48VDC

▶ IP67, 8x 10/100Base M12 2x GbE M12 with 8x PoE 180W, 24/48VDC



- EN50155, EN45545-2, EN50121-4, EN61000-6-2, EN61000-6-4, CE, FCC certified
- 24/48VDC redundant dual input power
- Regulated PoE output voltage
- Auto checking and auto reset when PoE PD fail
- Build-in 2 bypass GbE UTP ports



Ver.2022 Jan

The ITP series models are managed, industrial grade, L2 Fast Ethernet PoE (Power over Ethernet) switches that provide 8x Fast Ethernet UTP PoE (Power over Ethernet) plus 2x GbE SFP or 8x Fast Ethernet UTP PoE (Power over Ethernet) plus 2x GbE UTP Ports. The PoE features enable power and data to be transferred via a single cable, thereby considerably reducing cabling and electrical wiring expenses. These switches also provide a variety of functions to manage PoE operation including PoE device auto-checking, auto reset, and PoE power weekly scheduling. Housed in rugged wall mountable enclosures, these switches are designed for the harshest environments. All ITP series switches use M12 connectors to ensure water-tight, robust connections and guarantee reliable connections against vibration and shock. These models are also compliant with EN50155, covering power input voltage, surge, EFT, ESD, vibration and shock, making these switches suitable for industrial applications, such as vehicle, rolling stock, or vessel. With an IP67 rating, to protect against dust and water submersion, they are particularly useful in environments with extreme temperature, high humidity, oil, dust and in outdoor environments requiring water-proof applications, such as IP surveillance or city security.

Features

- M12 and M23 connector against vibration and shock, X-code or A-code M12 for Gigabit port optional
- 24/48VDC redundant dual input power, and built-in power booster design upto 50VDC for PoE output (Figure 2)
- Regulated PoE output voltage (50VDC) to stabilize PoE device, and guarantee delivery PoE power distance to 100meters (Figure 2)
- Advanced PoE Management, management, PoE PD failure, auto checking and auto reset, PoE configuration for power planning, weekly scheduling
- Cable diagnostics, identifies opens/shorts distance
- Provides up to 5 instances that each supports μ-Ring, μ-Chain or Sub-Ring type for flexible uses. (Please see CTC Union's μ-Ring white paper for more details)
- Supports TTDP for train application
- Supports IEEE 1588 PTP V2 for precise time synchronization to operate in Ordinary-Boundary, Peer to Peer Transparent Clock, End to End Transparent Clock, Master, Slave mode by each port
- Provides SmartConfig for quick and easy mass Configuration Tool*
- Supports SmartView™ for Centralized Management*

*Please see Chapter 1- **Software Management** for more details

Specifications

Standard	IEEE 802.3	10Base-T 10Mbit/s Ethernet
	IEEE 802.3u	100Base-TX, 100Base-FX, Fast Ethernet
	IEEE 802.3ab	1000Base-T Gbit/s Ethernet over twisted pair
	IEEE 802.3z	1000Base-X Gbit/s Ethernet over Fiber-Optic
	IEEE 802.1d	STP (Spanning Tree Protocol)
	IEEE 802.1w	RSTP (Rapid Spanning Tree Protocol)
	IEEE 802.1s	MSTP (Multiple Spanning Tree Protocol)
	ITU-T G.8032 / Y.1344	ERPS (Ethernet Ring Protection Switching)
	IEEE 802.1Q	Virtual LANs (VLAN)
	IEEE 802.1X	Port based and MAC based Network Access Control, Authentication
	IEEE802.3ac	Max frame size extended to 1522Bytes
	IEEE 802.3ad	Link aggregation for parallel links with LACP(Link Aggregation Control Protocol)
	IEEE 802.3x	Flow control for Full Duplex
	IEEE 802.3af	PoE (Power over Ethernet)
	IEEE 802.3at	PoE+ (Power over Ethernet enhancements)
	IEEE 802.1ad	Stacked VLANs, Q-in-Q
	IEEE 802.1p	LAN Layer 2 QoS/CoS Protocol for Traffic Prioritization
	IEEE 802.1ab	Link Layer Discovery Protocol (LLDP)
	IEEE 802.3az	EEE (Energy Efficient Ethernet)
VLAN ID	4094	IEEE802.1Q VLAN VID

Switch Architecture	Back-plane (Switching Fabric): 5.6Gbps (Full wire-speed)
Data Processing	Store and Forward
Flow Control	IEEE 802.3x for full duplex mode Back pressure for half duplex mode
PoE Port	8x M12 (4-Pin D-code Female) ports support IEEE 802.3af / IEEE 802.3at End-Span, Alternative A mode.
Network Connector	8x M12 (4-Pin, Female, D-Code) 10/100Base-TX UTP + 2x M12 (8-Pin, female, A-code or X-Code) 10/100/1000Base-T UTP (ITP-802GTM-8PH24) 8x M12 (4-Pin, Female, D-Code) 10/100Base-TX UTP + 2x 100/1000Base-X SFP (ITP-802GSM-8PH24) UTP port provide auto negotiation speed, Auto MDI/MDI-X, Full/Half duplex function Build-in 2x bypass GbE UTP ports (ITP-802GTM-8PH24) 2x Water-proof cable connector 2x 100/1000Base-X SFP slot, with DDMI (ITP-802GSM-8PH24)
Console	RS-232 (5-pin A-Code M12 male)
Network Cable	UTP/STP Cat. 5e cable or above EIA/TIA-568 100-ohm (100meter)
Protocols	CSMA/CD
Reverse Polarity Protection	Supported
Overload Current Protection	Supported
CPU Watch Dog	Supported

5

EN50155 PoE Switch

ITP-802GTM-8PH24 & ITP-802GSM-8PH24

LED	Per unit: Power 1 (Green), Power 2 (Green), Fault (Amber), CPU Act (Green), Ring Master (Amber) UTP port: 10/100 Link/Active (Green) 1000 Link/Active (Amber) SFP Fiber Per port: Link/Active (Green) PoE Port LED 1 LED /per Port : • PoE Output Power On : ON (Green) • PoE Fault (Over Load, Short Circuit, Port failed at Startup) : Flash 1times /sec (Green)																																								
Jumbo Frame	9.6KB																																								
MAC Address Table	8K																																								
Memory Buffer	512K Bytes for packet buffer																																								
Device Memory	16M Bytes Flash ROM, 128M Bytes RAM																																								
PoE Standard	IEEE 802.3af, IEEE 802.3at																																								
PoE Power Output	Maximum PoE output power budget 180W (30W/per port) Regulated PoE output voltage at 50VDC (Figure 2)																																								
Power Supply	Provides 1x M23 (5-Pin, male) for redundant dual DC 24/48V (20~57VDC) input power Built-in very high efficiency booster(94~97%) to rise up 50VDC for PoE output Regulated PoE output voltage (50VDC) to stabilize PoE device, and guarantee delivery PoE power distance to 100meter (Figure 2)																																								
Power Consumption	<table border="1"> <thead> <tr> <th colspan="5">ITP-802GSM-8PH24</th> </tr> <tr> <th>Input Voltage</th> <th>Total Power Consumption</th> <th>Device Power Consumption</th> <th>PoE Budget</th> <th>Boost Efficiency</th> </tr> </thead> <tbody> <tr> <td>24 VDC</td> <td>196.4W</td> <td>8.1W</td> <td>180W</td> <td>95.50%</td> </tr> <tr> <td>48 VDC</td> <td>197.8W</td> <td>9.6W</td> <td>180W</td> <td>95.60%</td> </tr> </tbody> </table> <table border="1"> <thead> <tr> <th colspan="5">ITP-802GTM-8PH24</th> </tr> <tr> <th>Input Voltage</th> <th>Total Power Consumption</th> <th>Device Power Consumption</th> <th>PoE Budget</th> <th>Boost Efficiency</th> </tr> </thead> <tbody> <tr> <td>24 VDC</td> <td>198.3W</td> <td>8.9W</td> <td>180W</td> <td>95.00%</td> </tr> <tr> <td>48 VDC</td> <td>198.8W</td> <td>10.1W</td> <td>180W</td> <td>95.30%</td> </tr> </tbody> </table>	ITP-802GSM-8PH24					Input Voltage	Total Power Consumption	Device Power Consumption	PoE Budget	Boost Efficiency	24 VDC	196.4W	8.1W	180W	95.50%	48 VDC	197.8W	9.6W	180W	95.60%	ITP-802GTM-8PH24					Input Voltage	Total Power Consumption	Device Power Consumption	PoE Budget	Boost Efficiency	24 VDC	198.3W	8.9W	180W	95.00%	48 VDC	198.8W	10.1W	180W	95.30%
ITP-802GSM-8PH24																																									
Input Voltage	Total Power Consumption	Device Power Consumption	PoE Budget	Boost Efficiency																																					
24 VDC	196.4W	8.1W	180W	95.50%																																					
48 VDC	197.8W	9.6W	180W	95.60%																																					
ITP-802GTM-8PH24																																									
Input Voltage	Total Power Consumption	Device Power Consumption	PoE Budget	Boost Efficiency																																					
24 VDC	198.3W	8.9W	180W	95.00%																																					
48 VDC	198.8W	10.1W	180W	95.30%																																					
Warning Message	System Syslog, SMTP/ e-mail event message, alarm relay																																								
Alarm Relay Contact	5-pin A-code M12 male Relay outputs with current carrying capacity of 1 A @24VDC																																								
Operating Temperature	-40 ~ 75°C																																								

Operating Humidity	5% to 95% (Non-condensing)
Storage Temperature	-40 ~ 85°C
Housing	Rugged Metal, Fanless , IP67 grade housing for against water, dust, and oil
Dimensions	69 x 240 x 168mm (D x W x H)
Weight	2.170kg (ITP-802GSM-8PH24) 2.15kg (ITP-802GTM-8PH24)
Installation Mounting	Wall mounting, or DIN Rail mounting (Optional)
MTBF	371,961 Hours (ITP-802GSM-8PH24) 362,429 Hours (ITP-802GTM-8PH24) (MIL-HDBK-217)
Warranty	5 years
Certification	
EMC	CE
EMI (Electromagnetic Interference)	FCC Part 15 Subpart B Class A, CE
Railway Traffic	EN50155, EN50121-4
Fire protection of railway vehicles	EN45545-2
Immunity for Heavy Industrial Environment	EN61000-6-2
Emission for Heavy Industrial Environment	EN61000-6-4
EMS (Electromagnetic Susceptibility) Protection Level	EN61000-4-2 (ESD) Level 3, Criteria B EN61000-4-3 (RS) Level 3, Criteria A EN61000-4-4 (Burst) Level 3, Criteria A EN61000-4-5 (Surge) Level 3, Criteria B EN61000-4-6 (CS) Level 3, Criteria A EN61000-4-8 (PFMF, Magnetic Field) Field Strength: 300A/m, Criteria A
Shock	IEC-61373
Freefall	IEC 60068-2-32
Vibration	IEC-61373

Software Specifications

Topology	
VLAN	IEEE 802.1q VLAN, up to 4094 802.1Q VLAN VID IEEE 802.1q VLAN, up to 4094 Groups IEEE 802.1ad Q-in-Q MAC-based VLAN, up to 256 entries IP Subnet-based VLAN, up to 128 entries Protocol-based VLAN(Ethernet, SNAP, LLC), up to 128 entries VLAN Translation, up to 256 entries Private VLAN for port isolation GVRP (GARP VLAN Registration Protocol) MVR (Multicast VLAN Registration)
Link Aggregation (Port Trunk)	Static (Hash with SA, DA, IP, TCP/UDP port), up to 5 trunk group Dynamic (IEEE 802.3ad LACP), up to 5 trunk group
Spanning Tree	IEEE 802.1d STP, IEEE 802.1w RSTP, IEEE 802.1s MSTP
Multiple μ-Ring	up to 5 instances that each supports μ-Ring, μ-Chain or Sub-Ring type for flexible uses, and maximum up to 5 Rings. Recovery time <10ms The maximum number of devices allowed in a Ring supported ring is 250. (Please see CTC μ-Ring white paper for more details and more topology application)
Loop Protection	Supported
ITU-T G.8032 / Y.1344 ERPS (Ethernet Ring Protection)	Recovery time <50ms Single Ring, Sub-Ring, Multiple ring topology network
QoS Feature	
Class of Service	IEEE802.1p 8 active priorities queues per port
Traffic Classification QoS	IEEE802.1p based CoS IP Precedence based CoS IP DSCP based CoS QCL(QoS Control List): Frame Type, Source/Destination MAC, VLAN ID, PCP, DEI QCE(QoS Control Entry): Protocol, Source IP, IP Fragment, DSCP, TCP/UDP port number
Bandwidth Control for Ingress	100~1,000,000 when the "Unit" is "kbps" and 1~1,000 when the "Unit" is "Mbps"

Bandwidth Control for Egress	100~1,000,000 when the "Unit" is "kbps" and 1~1,000 when the "Unit" is "Mbps" Rate Unit : bit Per queue / Per port shaper
DiffServ (RF 2474) Remarking	
Storm Control	for Unicast, Broadcast, Multicast
IP Multicasting Feature	
IGMP / MLD Snooping	IGMP Snooping v1, v2, v3 / MLD Snooping v1, v2 Port Filtering Profile, Throttling
IGMP / MLD Snooping	Fast Leave Maximum Multicast Group : up to 1022 entries Query / Static Router Port
Security Features	
IEEE 802.1X	Port-Based, MAC-Based
ACL	Number of rules : up to 256 entries for L2 / L3 / L4 L2: Mac address SA/DA/VLAN L3: IP address SA/DA, Subnet L4: TCP/UDP
RADIUS authentication & accounting	
TACACS+ authentication & accounting, TACACS+ 3.0	
HTTPS, HTTP	Supported
SSL / SSH v2	Supported
User Name Password Authentication	Local Authentication Remote Authentication (via RADIUS / TACACS+)
Management Interface Access Filtering	Web, Telnet / SSH , CLI RS-232 console
Management Features	
CLI	Cisco® like CLI
Web Based Management	
Telnet	Server
SNMP	V1, V2c, V3
Modbus/TCP	Support for management and monitoring
SW & Configuration Upgrade	TFTP, HTTP Redundant firmware in case of upgrade failure
FTP client	Supports for upload/download configuration

RMON	RMON I (1, 2, 3, 9 group), RMON II
MIB II	RFC 1213
UPnP	Supported
BOOTP	Supported
DHCP	Server, Client, Relay, Relay option 82, Snooping
RARP	Supported
TTDP	Supported (Train Topology Discovery Protocol)
IP Source Guard	Supported
Port Mirroring	Supported
Event Syslog	Syslog server (RFC3164)
Warning Message	System syslog, e-mail, alarm relay
DNS	Client, Proxy
IEEE1588 PTP V2	Supports 5 operating mode in each port : Ordinary-Boundary, Peer to Peer Transparent Clock, End to End Transparent Clock, Master, Slave
NTP, SNTP	Client
LLDP (IEEE 802.1ab)	Link Layer Discovery Protocol LLDP-MED
IPv6 Features	
IPv6 Management	Telnet Server/ICMP v6
SNMP over IPv6	Supported
HTTP over IPv6	Supported
SSH over IPv6	Supported
IPv6 Telnet	Supported

IPv6 NTP, SNTP	Client
IPv6 TFTP	Supported
IPv6 QoS	Supported
IPv6 ACL	Number of rules: up to 256 entries for L2 / L3 / L4 L2: Mac address SA/DA/VLAN L3: IP address SIP, Subnet (32bit) L4: TCP/UDP
Others Features	
Green Ethernet	Supports IEEE802.3az EEE (Energy Efficient Ethernet) Management to optimize the power consumption Determine the cable length and lowering the power for ports with short cables Lower the power for a port when there is no link LED Power Management :Adjustment LEDs intensity
Cable Diagnostic	Measuring UTP cable OK or broken point distance
Advanced PoE Management	PoE PD Failure Auto Checking, and Auto reset when PD fail PoE Scheduling (On/Off schedule weekly) PoE Configuration PoE Enable/Disable Power limit by classification Power limit by management Total PoE Power budget (maximum 180W) limitation Power feeding priority

Application

Figure 1 : ITP Series in Onboard Train Application

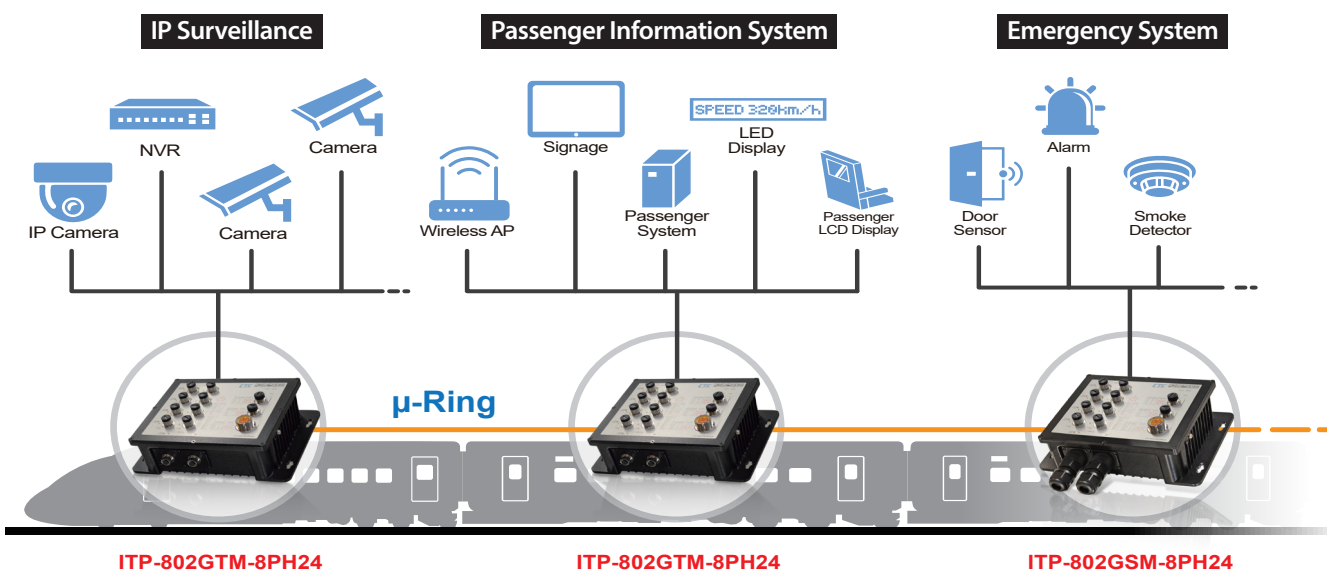
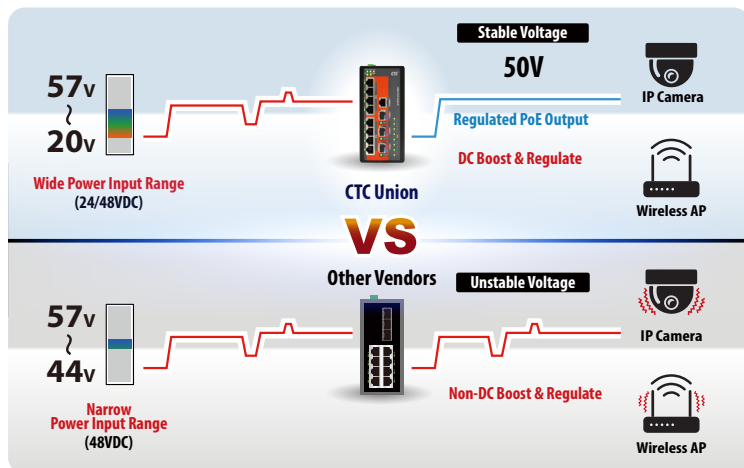


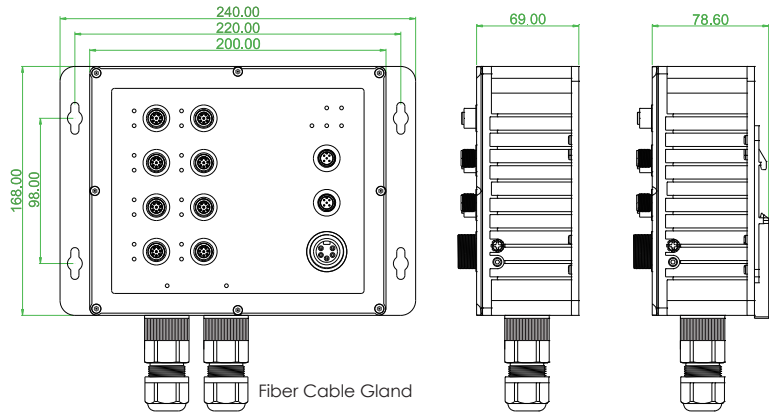
Figure 2 : High Efficiency Boost Technology for PoE



- Regulated PoE output voltage (50VDC) to stabilize PoE device
- Guarantee delivery PoE power distance to 100 meters
- Wide range input power 24/48VDC (20~57VDC)
- Built-in very high efficiency (94~97%) to boost PoE output voltage

Dimensions

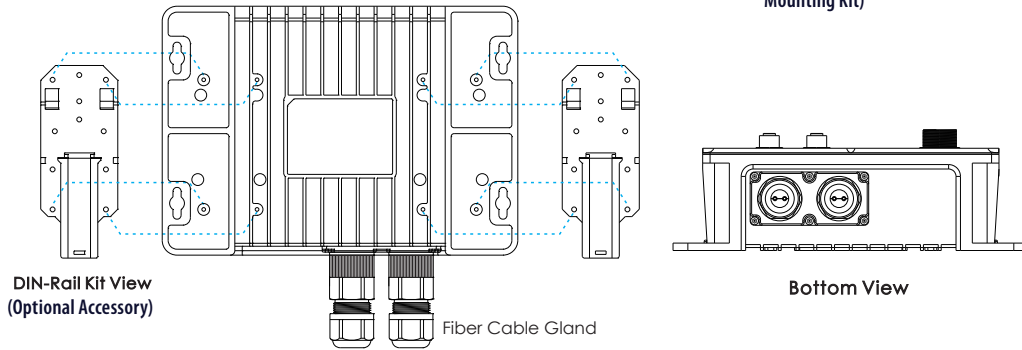
▶ ITP-802GSM-8PH24



Front View

Side View

Side View
(Including DIN-Rail
Mounting Kit)

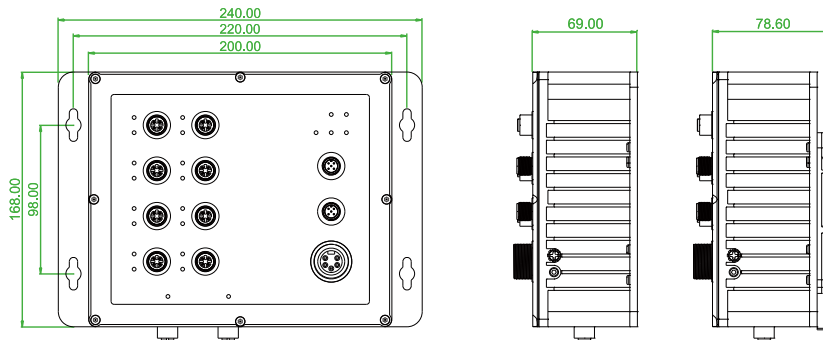


DIN-Rail Kit View
(Optional Accessory)

Rear View

Bottom View

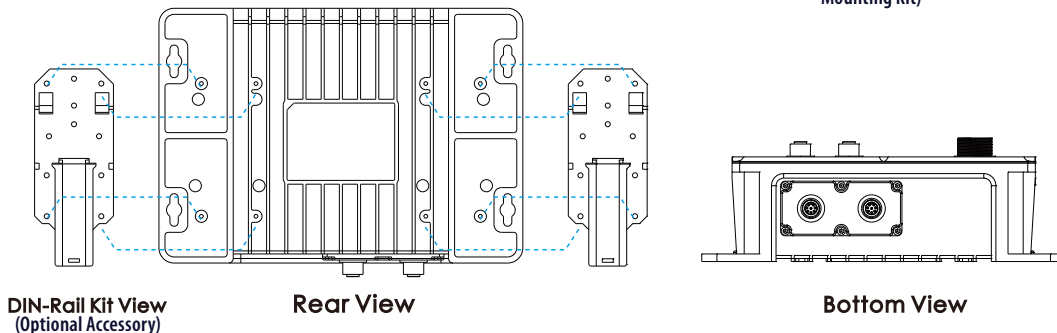
▶ ITP-802GTM-8PH24



Front View

Side View

Side View
(Including DIN-Rail
Mounting Kit)



DIN-Rail Kit View
(Optional Accessory)

Rear View

Bottom View

5

EN50155 PoE Switch

ITP-802GTM-8PH24 & ITP-802GSM-8PH24

Ordering Information

Model Name	Managed	IP67	Total Port	UTP Port M12	UTP or SFP	PoE Port	PoE Total Power Budget	Power Input	Certification			Shock Vibration	Operating Temperature
				10/100 Base-TX	100/1000 Base-X	IEEE 802.3at		Redundant	EN50155 EN45545-2 EN50121-4	EN61000-6-2 EN61000-6-4	CE FCC	IEC61373	
ITP-802GTM-8PHE24-X	V	V	10	8	2 (X-code)	8	180W	24/48VDC	V	V	V	V	-40~75°C
ITP-802GTM-8PHE24	V	V	10	8	2 (A-code)	8	180W	24/48VDC	V	V	V	V	-40~75°C
ITP-802GSM-8PHE24	V	V	10	8	2 SFP	8	180W	24/48VDC	V	V	V	V	-40~75°C

Package List

- ITP-802GTM-8PH24 or ITP-802GSM-8PH24 device
- Protective caps for SFP ports and console, alarm port
- Fiber Cable Gland for SFP port x 2 set (for ITP-802GSM-8PH24)
- Console cable (M12 to DB9)

Optional Accessories

Industrial SFP Transceiver

The ISFP series of industrial grade SFP modules have been fully tested with the ITP-802GSM-8PH24 for guaranteed compatibility and performance. The best performance can be guaranteed even in mission-critical applications. (Please see CTC Union's Industrial SFP datasheet for more details and more items.)

ISFP-M7000-85-D(E)	Industrial SFP GbE 1000Base-SX, M/M, 500 meter, wave length 850nm, 7.5dB, LC, DDMI, -10~70°C (-40~85°C)
ISFP-S7020-31-D(E)	Industrial SFP 1000Base-LX, S/M, 20km, wave length 1310nm, 15dB, LC, DDMI, -10~70°C (-40~85°C)
ISFP-M5002-31-D(E)	Industrial SFP 155M 100Base-FX, MM, 2km, wave length 1310nm, 12dB, LC, DDMI, -10~70°C (-40~85°C)
ISFP-S5030-31-D(E)	Industrial SFP 155M 100Base-FX, SM, 30km, 1310nm, 19dB, LC, DDMI, -10~70°C (-40~85°C)

Optional Cable/Connector & Din-Rail Kit

<p>P/N: CAB-M12XM8-RJ45 M12 X-code Male (8-Pin) to RJ-45, AWG 24, IP67, 1 meter</p>  <p>For GbE UTP (X-code model)</p>	<p>P/N: CAB-M12AM8-RJ45 M12 A-code Male (8-Pin) to RJ-45, AWG 24, IP67, 1 meter</p>  <p>For GbE UTP (A-code model)</p>	<p>P/N: CAB-M12DM4-RJ45 M12 D-code Male (4-Pin) to RJ-45, AWG 24, IP67, 1 meter</p>  <p>For FE UTP</p>	<p>P/N: CAB-M12AF5-OPEN M12 A-code Female (5-Pin) to open wire, AWG 22, IP67, 1 meter</p>  <p>For Alarm</p>	<p>P/N: CAB-M23F5-OPEN M23 Female (5-Pin) to open wire, (AWG 16), IP67, 1 meter</p>  <p>For Power</p>
<p>P/N: M12A-M8 M12 A-code Male (8-Pin) connector, IP67</p>  <p>For GbE UTP (A-code model)</p>	<p>P/N: M12D-M4 M12 D-code Male (4-Pin) connector, IP67</p>  <p>For FE UTP</p>	<p>P/N: M12A-F5 M12 A-code Female (5-Pin) connector, IP67</p>  <p>For Alarm</p>	<p>P/N: IND-DNK04 Din Rail Kit for Industrial, Wide: 52mm</p>  <p>(130 X52mm / 4 Screws) (2pcs/set)</p>	