

Datasheet

mSATA mini 3SE series

- SATA 6Gb/s interface
- iSMART disk health monitoring
- Intelligent error recovery system
- Excellent data transfer speed
- Write protection security
- Zero mechanical interference
- Anti-vibration mechanical design
- JEDEC standard MO-300 dimension



Introduction

Innodisk mSATA mini 3SE is designed as the standard Mini PCIe form factor with SATA interface, and supports SATA III standard (6.0Gb/s) with excellent performance. The form factor refers to the MO-300 / MO-300B specification which established by JEDEC. Regarding of mechanical interference, Innodisk mSATA mini 3SE absolutely replaces the traditional hard disk and makes personal computer, in any field, smaller and easier.

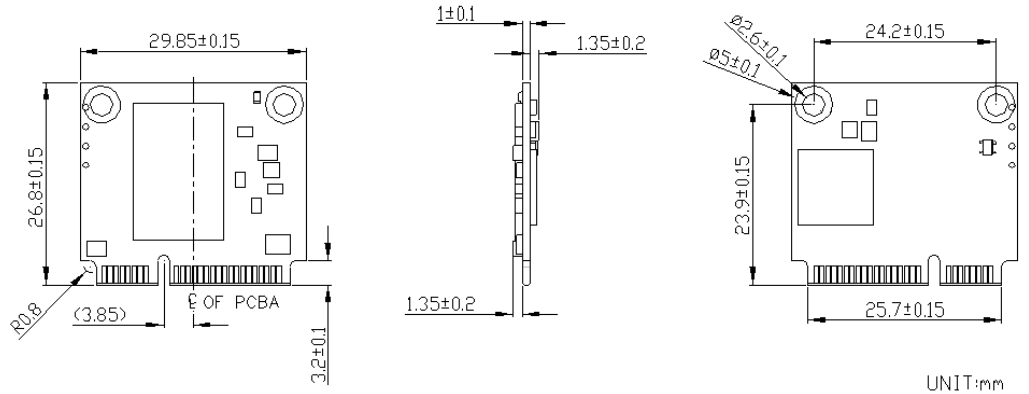
Innodisk mSATA mini 3SE effectively reduces the booting time of operation system and the power consumption is less than hard disk drive (HDD), and complies with ATA protocol, no additional drives are required, and can be configured as a boot device or data storage device.

mSATA mini 3SE series

Contact us for more information
about the MSATA mini 3SE.

Innodisk is a service-driven provider of industrial embedded flash storage products and technologies, with a focus on the cloud computing, industrial/embedded, and aerospace and defense industries.

Diagram



Headquarters (Taiwan)

5F., No.237, Sec. 1, Datong Rd.,
Xizhi Dist., New Taipei City,
Taiwan (R.O.C.)
Tel: +886-2-77033000
Email: sales@innodisk.com

Branch Offices:

USA
usasales@innodisk.com
+1-510-770-9421
Europe
eusales@innodisk.com
+31-(0)40-282-1818
Japan
jpsales@innodisk.com
+81-3-6667-0161
China
sales_cn@innodisk.com
+86-755-21673689
www.innodisk.com

© 2017 Innodisk Corporation.
All right reserved. Specifications
are subject to change without
prior notice.

Specifications

Interface	SATA III
Flash Type	SLC
Capacity	01GB~32GB
Max. Channels	2
Sequential R/W (MB/sec, max.)	300 / 130
Max. Power Consumption	0.5 W (3.3V x 150 mA)
Thermal Sensor	WT only
External DRAM Buffer	-
H/W Write Protect	-
ATA Security	√
S.M.A.R.T.	√
Dimension (WxLxH)	29.8 X 26.8 X 4.4 mm
Environment	Vibration: 20G @7~2000Hz Shock: 1500G @ 0.5ms Storage Temperature: -55°C ~ +95°C MTBF: 3 million hours

20171204

Ordering Information

Operation Temp.	1GB	2GB	4GB	8GB	16GB	32GB
Standard Grade (0°C ~ +70°C)	DEMMS-01GD07AC1SB	DEMMS-02GD07AC1DB	DEMMS-04GD07SCADB	DEMMS-08GD07SCADB	DEMMS-16GD07SCADB	DEMMS-32GD07SCADB
Industrial Grade (-40°C ~ +85°C)	DEMMS-01GD07AW1SB	DEMMS-02GD07AW1DB	DEMMS-04GD07SWADB	DEMMS-08GD07SWADB	DEMMS-16GD07SWADB	DEMMS-32GD07SWADB

20150211

innodisk

www.innodisk.com