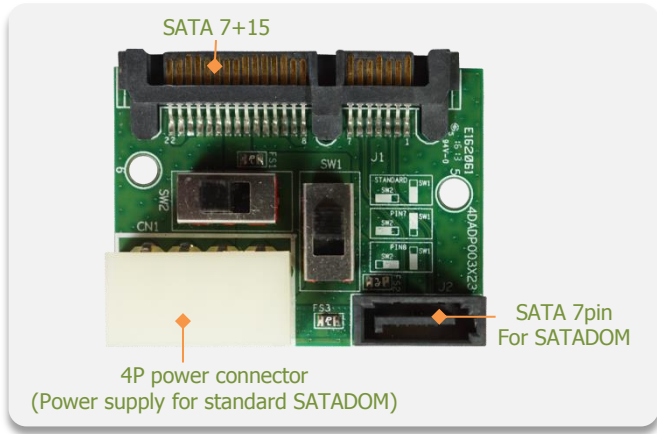


# EZSS-0102

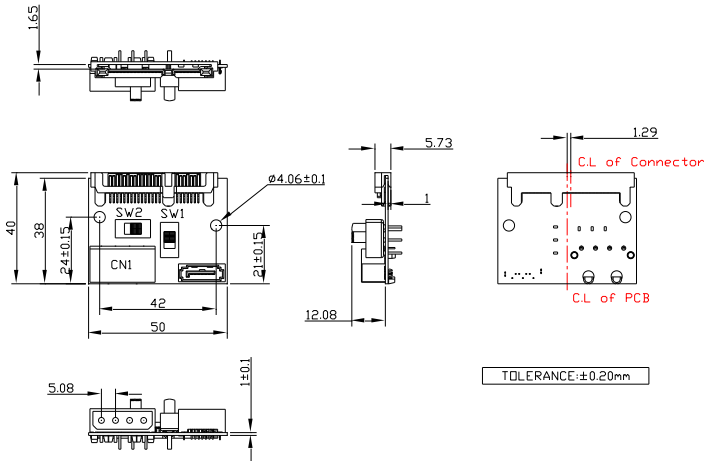
## SATADOM to SATA Module



### Features

- SATA III compliant
- SATA to SATADOM pass-through design
- Support power supply method of SATA Pin7 & Pin8

### Mechanical Drawing



Power supply method

	SW2	SW1	Power cable	
Standard	Left	Down	Plug in	
Pin7	Left	Up	X	
Pin8	Right	Down	X	

### Headquarters (Taiwan)

5F., No. 237, Sec. 1, Datong Rd.,  
Xizhi Dist., New Taipei City 221,  
Taiwan  
Tel: +886-2-77033000  
Email: sales@innodisk.com

### Branch Offices:

#### USA

[usasales@innodisk.com](mailto:usasales@innodisk.com)  
+1-510-770-9421

#### Europe

[eusales@innodisk.com](mailto:eusales@innodisk.com)  
+31-40-3045-400

#### Japan

[jpsales@innodisk.com](mailto:jpsales@innodisk.com)  
+81-3-6667-0161

#### China

[sales\\_cn@innodisk.com](mailto:sales_cn@innodisk.com)  
+86-755-21673689

[www.innodisk.com](http://www.innodisk.com)

© 2017 Innodisk Corporation.  
All right reserved. Specifications  
are subject to change without  
prior notice.

August 3, 2017

### Specifications

Form-Factor	Other
Input I/F	SATA III
Output I/F	SATA III
Output Connector	SATA 7pin x 1
Dimension (WxLxH)	50 x 40 x 13.08mm
Temperature	Operation: STD: 0°C ~ +70°C Storage: -55°C ~ +95°C
Environment	Vibration: 5G @7~2000Hz, Shock: 50G @ 0.5ms
Notes	

### Order information

**EZSS-0102-C1**  
SATADOM to SATA Module