

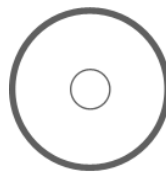


# Quick Start for I-7565M-HS

June 2018, Version 1.0.0

## What's In the Box?

In addition to this guide, the package includes the following items:



<b>I-7565M-HS</b>	<b>CD</b>	<b>USB cable (CA-USB15)</b>
-------------------	-----------	-----------------------------



<b>Screw Driver (1C016)</b>	<b>DIN-RAIL Aluminum extrusion model 44MM</b>	<b>Screw * 4</b>
-----------------------------	---	------------------

## Technical Support

- **I-7565M-HS User Manual**

[ftp://ftp.icpdas.com/pub/cd/fieldbus\\_cd/can/converter/i-7565m-hs/manual](ftp://ftp.icpdas.com/pub/cd/fieldbus_cd/can/converter/i-7565m-hs/manual)

- **I-7565M-HS Website**

[http://www.icpdas.com/root/product/solutions/industrial\\_communication/fieldbus/can\\_bus/converter/i-7565m-hs.html](http://www.icpdas.com/root/product/solutions/industrial_communication/fieldbus/can_bus/converter/i-7565m-hs.html)

- **ICP DAS Website**

<http://www.icpdas.com/>

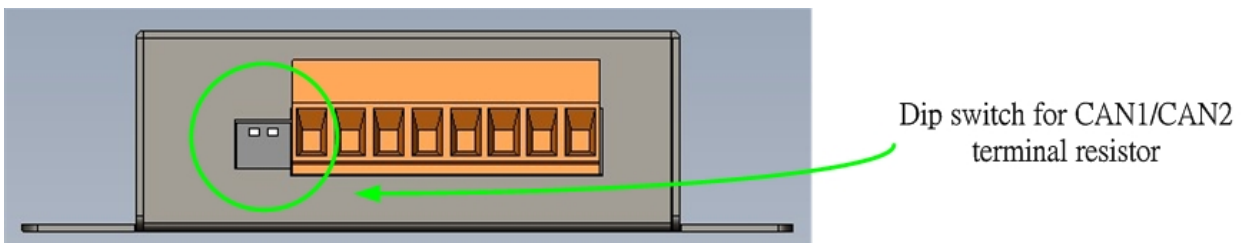
# 1 Hardware Installation

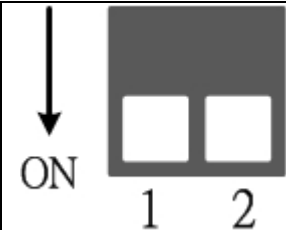
Before using I-7565M-HS device, some things must be done.

**Step 1: Prepare one I-7565M-HS device**

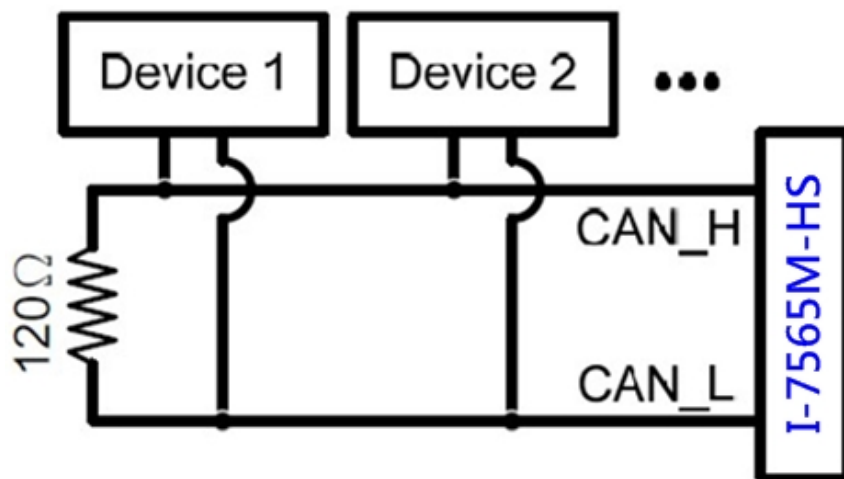
**Step 2: Determine if the terminal resistor is needed or not**

Check the application structure, and determine if the terminal resistor is needed or not. You can find it at the position as follows.

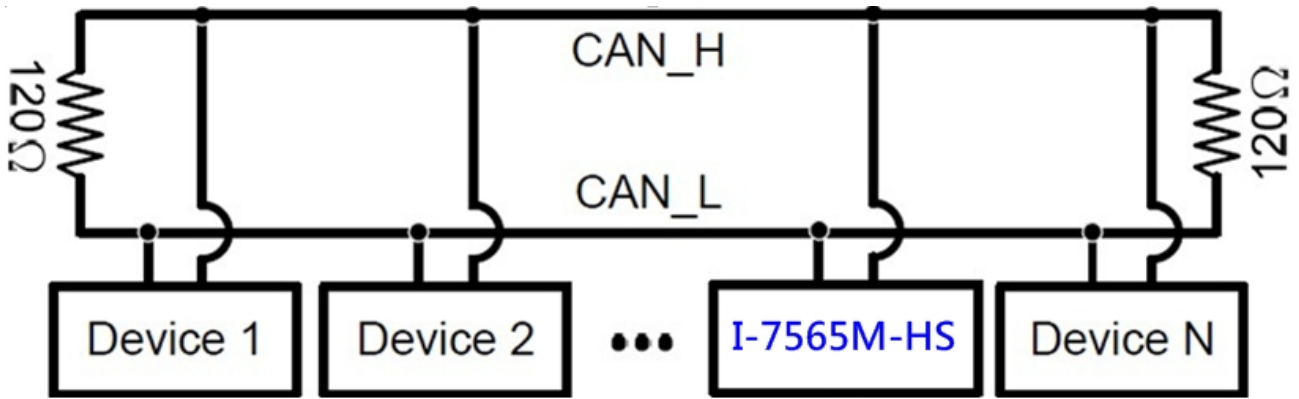


	Pin No.	Description
	1	ON: Active CAN1 terminal resistor (default) OFF: Inactive CAN1 terminal resistor
	2	ON: Active CAN2 terminal resistor (default) OFF: Inactive CAN2 terminal resistor

Generally, if your application is as follows, we recommend you to enable the terminator resistor.

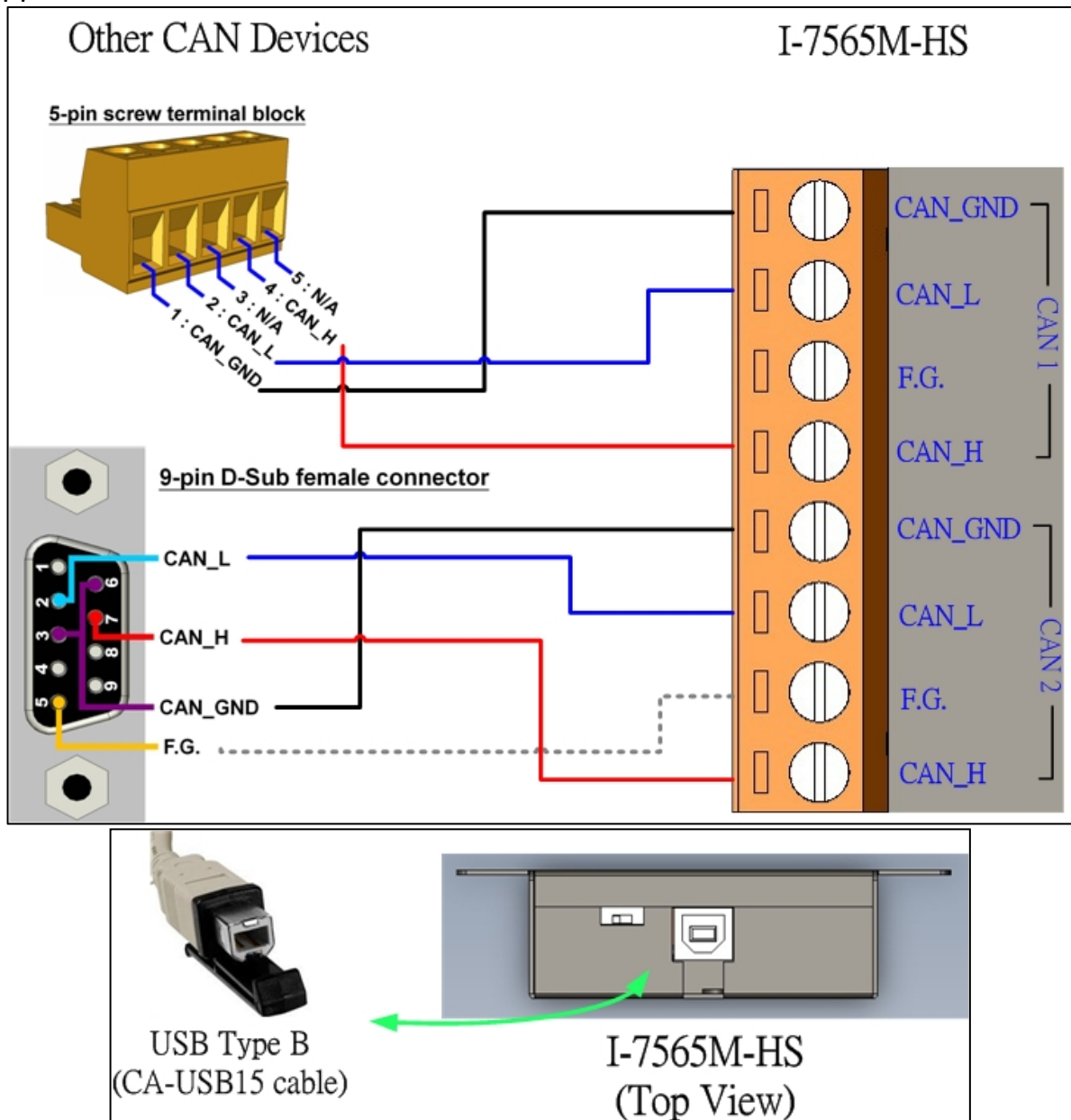


If your application is like the structure as follows, the terminator resistor is not needed.



**Step 4: Connect the CAN port and USB port of the I-7565M-HS.**

The pin assignment and wire connection are as follows. When finished, run your application with the I-7565M-HS.



# 2

## Utility tool

I-7565-HS Utility is provided by ICP DAS to transmit / receive CAN messages for CAN Bus communication testing easily and quickly.

### Step 1: Install the I-7565-HS Utility

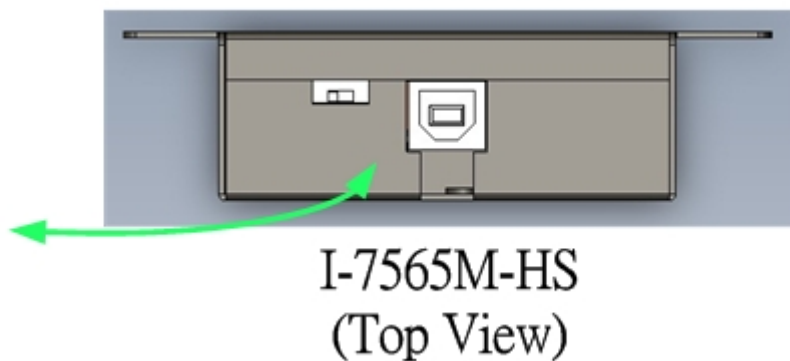
The software is located at:

CD:\can\converter\i-7565m-hs\software\utility

[ftp://ftp.icpdas.com/pub/cd/fieldbus\\_cd/can/converter/i-7565m-hs/software/utility](ftp://ftp.icpdas.com/pub/cd/fieldbus_cd/can/converter/i-7565m-hs/software/utility)

### Step 2: Setting up the I-7565M-HS module

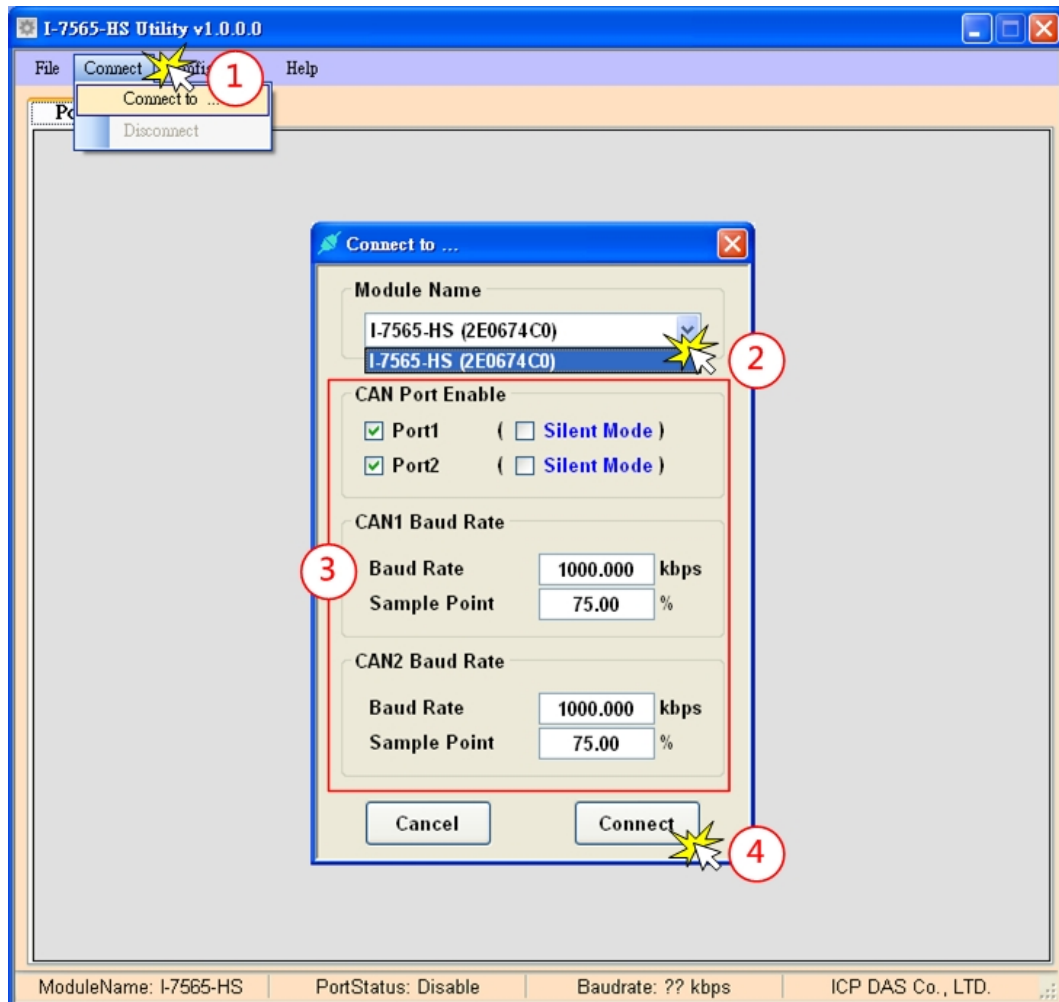
1. Connect the PC available USB port with the USB port of the I-7565M-HS device. Users can find the communication cable (CA-USB15) in the product box.



2. Execute the I-7565-HS Utility tool.

### Step 3: Connect to I-7565M-HS module

When executing the Utility, the tool will try to scan all the necessary I-7565M-HS modules and list all scanned module information on “Module Name” location of the Utility “Connect” frame. User can re-connect to re-scan the newer inserted I-7565M-HS module.



Before connect to the module, user can set the CAN port operation mode and CAN baudrate parameter of the module. Please refer to the following steps to configure the I-7565M-HS device.

- 1: Click the “Connect to ...” item to open the “Connect” frame of Utility.
- 2: Select the necessary I-7565M-HS module.
- 3: On the “CAN Port Enable” and “CAN1/CAN2 Baud Rate” location, user can set the CAN Bus, and other parameters. The detail functions of these parameters are list below.

### [CAN Port Enable]

“Port Enable”: Enable/Disable the CAN1/CAN2 port.

“Silent Mode” : Set the CAN port into silent mode. When setting the CAN port into silent mode, the CAN port will just receive CAN messages, no CAN Ack command be sent to the CAN Bus.

### [CAN Baudrate]

“Baud Rate”: CAN Bus baud rate in used. Valid range: 10 ~ 1000 kbps.

“Sample Point”: Sample point of CAN baud rate bit timing.

- 4: Press the “Connect” button to start to use the above setting to send/receive CAN messages.

## Step 4: Send, receive CAN messages

By using the I-7565-HS Utility tool, user can send and receive CAN messages via the I-7565M-HS devices.

Send CAN messages and check received CAN messages

Send CAN Messages

Receive CAN Messages