

# B915

3MP Video Analytics Outdoor Speed Dome with D/N, Adaptive IR, Extreme WDR, SLLS, 36x Zoom Lens



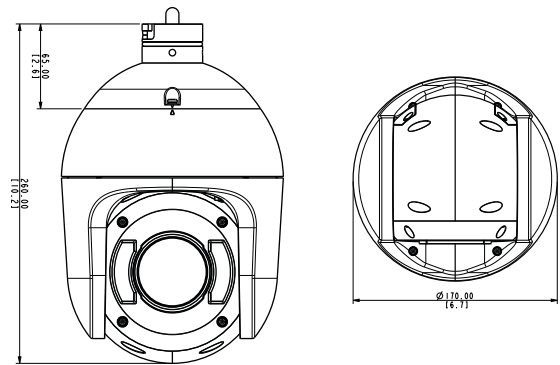
- 3 Megapixel
- Day & Night with Superior Low Light Sensitivity and Adaptive IR LED
- 36x Zoom Lens with f4.6 ~ 165.6 mm, F1.55 ~ F5.0, DC Iris, Auto Focus
- Extreme WDR (145 dB)
- 60 fps at 1920 x 1080
- Endless Pan & Tilt
- Weatherproof (IP66) and Vandal Proof Metal Casing (IK10) with Built-in Dehumidifier
- Scratch-resistant and Water-repellent Lens Glass
- Built-in Analytics

## PHOTO INDICATION



- |                    |                         |
|--------------------|-------------------------|
| ① Power LED        | ⑤ Audio Input           |
| ② Reset Button     | ⑥ Digital Input/ Output |
| ③ Memory Card Slot | ⑦ AC 24V Power Input    |
| ④ Audio Output     | ⑧ Ethernet Port         |

## DIMENSION DIAGRAM



Unit: mm [inch]

## ACCESSORY OPTIONS

High PoE Injector		
PPOE-0102		High PoE Injector with universal connector

Popular Mounting Solutions		
Wall	PMAX-0312 PMAX-0702	
Pendant	PMAX-0102	
Corner	PMAX-0312 PMAX-0702 PMAX-0402	
Pole	PMAX-0312 PMAX-0702 PMAX-0503	
Parapet	PMAX-0808	

\* For more mounting solutions, please refer to Project Planner on [www.acti.com](http://www.acti.com)

**PRODUCT SPECIFICATION****• Device**

Product Type	Outdoor Speed Dome
Image Sensor	Progressive Scan CMOS
Sensor Size	1/2.8"
Effective Pixels	2065 (H) x 1553 (V) (3.21 MP)
Day / Night	Yes
Low Light Sensitivity	Superior
Minimum Illumination	Color: 0.1 lux at F1.55 (30 IRE, 2400°K); B/W: 0 lux at F1.55 (IR LED On)
Color to B/W Switch	ISP based switch, configurable
Mechanical IR Cut Filter	Yes
IR Sensitivity Range	700 ~ 1100nm
IR LED	Adaptive IR LED
IR Working Distance	150 m
Electronic Shutter	1/5 ~ 1/64,000 second (manual mode) 1/5 ~ 1/64,000 second (auto mode)
Horizontal Resolution	1450 TVL
S/N Ratio	56 dB

**• Lens**

Focal Length	Zoom, f4.6 ~ 165.6 mm
Aperture	F1.55 ~ F5.0
Zoom Ratio	36x optical
Zoom Application	Camera Installation Auto Zoom by Event Manual Operation
Iris	DC iris
Focus	Auto focus
Lens Mount	Board Mount
Horizontal Viewing Angle	64.3° ~ 2.04°
Vertical Viewing Angle	44.9° ~ 1.78°

**• PTZ**

Manual Panning / Tilting Speed	0.16° ~ 54.4° / second 0.16° ~ 27.2° / second
Preset Panning / Tilting Speed	0.16° ~ 300° / second 0.16° ~ 150° / second
Panning Range	360° Endless
Tilting Range	-20° ~ 200°
Protocol	ACTi URL command, VISCA, Pelco-D, Pelco-P

**• Video**

Compression	H.265 H.264 (Baseline / Main / High profile) MJPEG
Max. Frame Rate vs. Resolution	30 fps at 2048 x 1536 60 fps at 1920 x 1080 30 fps at 1280 x 960 60 fps at 1280 x 720 30 fps at 800 x 600 30 fps at 640 x 480 30 fps at 320 x 240
Multi-Streaming	Simultaneous triple streams based on three configurations
Bit Rate	128 Kbps ~ 12 Mbps (per stream)
Bit Rate Mode	Constant, Variable
Wide Dynamic Range	Extreme WDR (145 dB)
Image Enhancement	White balance, Brightness, Contrast, Saturation, Sharpness, Automatic Gain Control, Flickerless, Digital Image Stabilizer, Defogging
Digital Noise Reduction	2D + 3D DNR
Privacy Mask	32 configurable 3D privacy masks
Text Overlay	Yes
Image Orientation	Image flip and mirror Object Based Motion Detection Tampering Detection Shock Detection PTZ Auto Tracking*
Built-in Analytics	

**• Audio**

Audio	2-way, Line-in, Line-out
Compression	8 kHz, Mono, PCM, 16 bit encoding, G.711
Audio-In / Audio-Out	Cable with 3.5mm phone jack

**• Network**

Protocol & Service	IPv4/v6, TCP, UDP, DHCP, PPPoE, HTTP, HTTPS, DNS, DDNS, NTP, RTP, RTSP, RTCP, SMTP, FTP, IGMP, ICMP, ARP, Bonjour, UPnP, QoS, SNMP, IEEE 802.1X
Ethernet Port	1 x RJ-45 connector IP address filtering, HTTPS encryption, Password protected user level, Anonymous login, IEEE 802.1X network access control
Security	

**• Alarm**

Alarm Trigger	Video Motion Detection (10 regions) External Device through Digital Input Sound Detection
Alarm Response	Notify control center, Go to PTZ preset point or preset tour, Change camera settings, Command other devices, E-mail notification with snapshots, Push notification to mobile device, Save video to local storage, Upload video to NVR server, Upload video or snapshot to FTP server, Activate external device through digital output

**• Interface**

Digital Input	4, Cable with Terminal Block
Digital Output	2, Cable with Terminal Block
Local Storage	MicroSDHC, MicroSDXC memory card slot (card not included)

**• General**

Power Source	High PoE (IEEE802.3at), AC 24V
Power Consumption*	52 W (PoE, heater, fan, and IR on), 62 W (AC, heater, fan, and IR on)
Weight	3112 g (6.86 lb)
Dimensions (Φ x H)	170 mm x 260 mm (6.69" x 10.23")
Environmental Casing	Weatherproof (IP66), Vandal proof metal casing (IK10), Built-in dehumidifier, Scratch-resistant and water-repellent lens glass
Mount Type	Gang Box, Pendant, Converter for NPT Standard Mounts, Wall Mount, Pole Mount, Corner Mount
Starting Temperature	-40°C ~ 55°C (-40°F ~ 131°F) within 30 minutes
Operating Temperature	-40°C ~ 55°C (-40°F ~ 131°F)
Operating Humidity	10% ~ 85% RH, Built-in dehumidifier
Bundled Accessories	High PoE injector (for USA) or Power Adapter (for other countries)
Approvals	CE, FCC, IP66, NEMA 4X, IK10 (metal casing), UL (for bundled power adapter)

**• Integration**

Unified Solution	Fully compatible with ACTi software Software Development Kit (SDK) available; ONVIF Compliant; GB28181 Compliant
ISV Integration	
Web Browser	IE 11
Auto Firmware Upgrade	Yes
GPS Position	Manual setting

\* All specifications are subject to change without notice.

\* All brand names and registered trademarks are the property of their respective owners.