

# VOX-070-TS-N8M Series



## Specifications

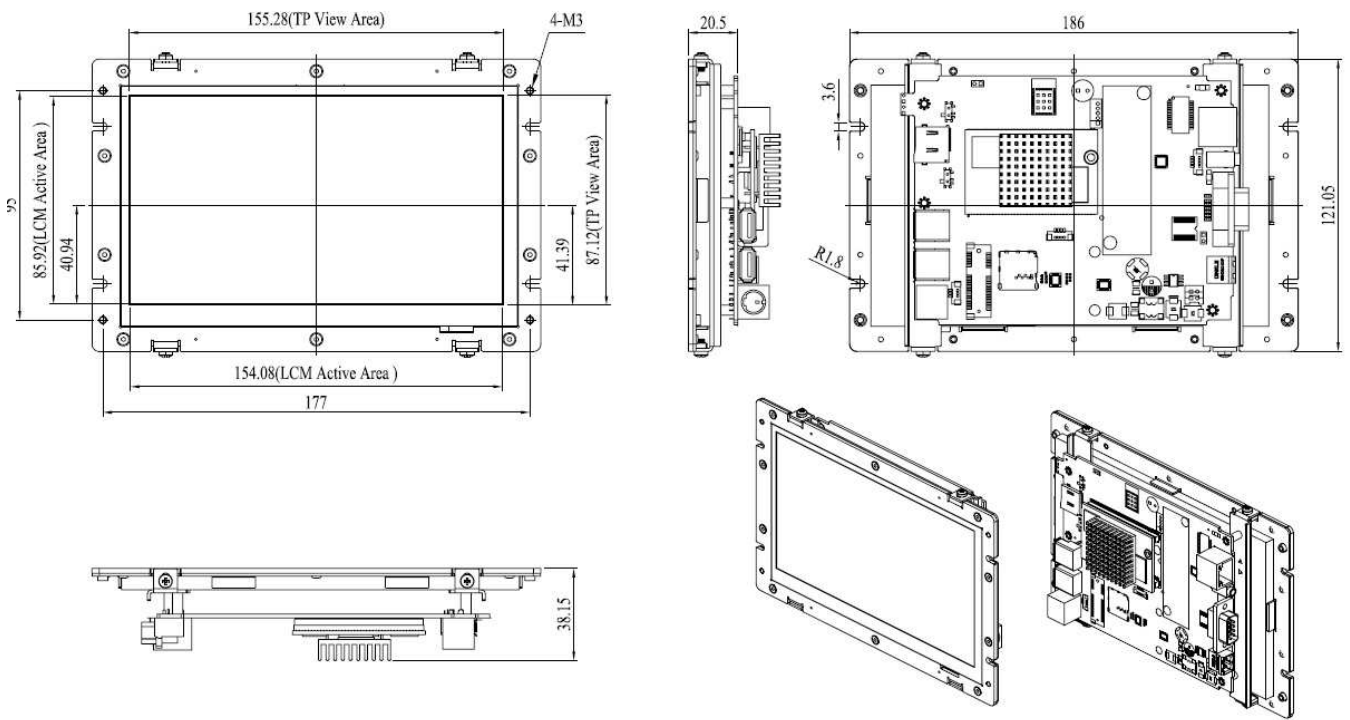
Processor	NXP i.MX8M Mini 1.6GHz Cortex-A53 (Quad Core)		
LCD	7" WVGA TFT LCD with resolution 1024 (W) x 600 (H), 500 nits and resistive touch screen		
Expansion	MiniPCIe with SIM card holder		
System Memory	2GB LPDDR4 Onboard		
Storage	16GB eMMC MLC Onboard		
LAN	Integrated 10 / 100 / 1000 Mbps Ethernet		
Disk Support	MicroSD Card Socket x1		
I/O	USB2.0 x2	RS232 / RS485 x1	GLAN x1
Programmable	Audio Line-out x1	Software Programming Port x1	WLAN & BT x1 (Option)
Power Requirement	+12 to +36VDC Power Input		
Power Consumption	8Watt (Typical)		
Operating Temperature	0°C to +60°C -20°C to +70°C (Option)		
Dimension	186 x 121.05 x 38.15mm		
Weight	530g		
O/S Support	Android 9 / Android 10	Yocto Project 3.0 (Zeus)	

## Ordering Information

Part Number	Description
VOX-070-TS-N8M-N5GM	7" OP w/iMX8M Mini/2GB DRAM/16GB eMMC Onboard/2U/1S/GLAN/MiniPCIe/MicroSD/Line-out/+12~36V Input
VOX-070-TS-N8M-B5GM	7" OP w/iMX8M Mini/2GB DRAM/16GB eMMC Onboard/2U/1S/GLAN/MiniPCIe/MicroSD/Line-out/ <b>WLAN&amp;BT</b> /+12~36V Input
VOX-070-TS-N8M-N5GMI	7" OP w/iMX8M Mini/2GB DRAM/16GB eMMC Onboard/2U/1S/GLAN/MiniPCIe/MicroSD/Line-out/+12~36V Input/ <b>-20°C to +70°C</b>
VOX-070-TS-N8M-B5GMI	7" OP w/iMX8M Mini/2GB DRAM/16GB eMMC Onboard/2U/1S/GLAN/MiniPCIe/MicroSD/Line-out/ <b>WLAN&amp;BT</b> /+12~36V Input/ <b>-20°C to +70°C</b>
CABLE-MINIDIN8P-30	Software Programming CABLE for VOX-070-TS-N8M Series

# VOX-070-TS-N8M Series

## Dimension



## Production Outline

