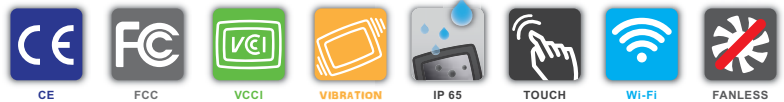




# PPC-090T

## FEATURES

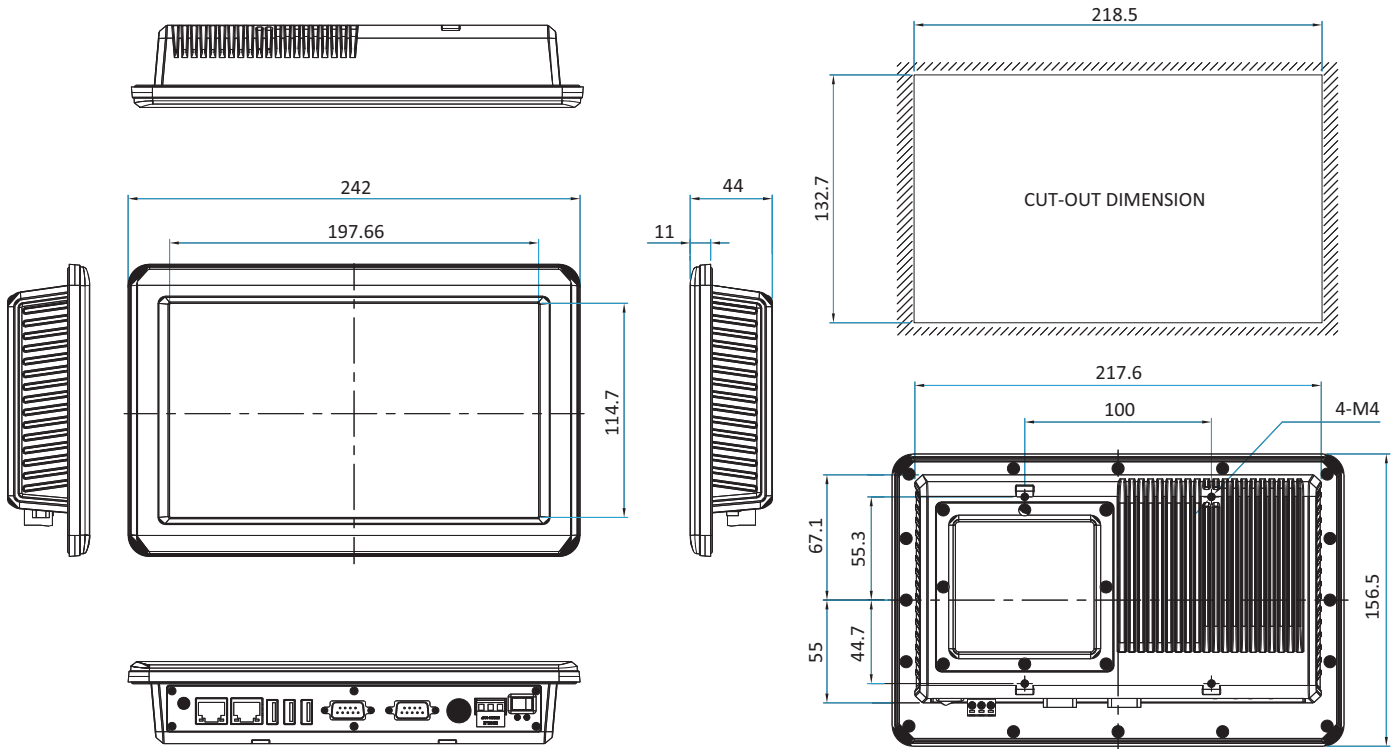
- 9" TFT LCD with Resistive/PCAP Touchscreen
- DM&P Processor 933 MHz / 1 GHz Onboard
- 512MB / 1GB / 2GB System Memory Onboard
- Compact Flash Type I/II / SD Slot / SATA Slim
- Fanless and Low Power Consumption
- Metal Chassis with Compact Design



## SPECIFICATION

LCD Display	Type	WSVGA TFT LCD
	Size	9"
	Resolution (Pixel)	1024x600
	Colors	262,144
	View Angle	Vertical 120° / Horizontal 140°
	Brightness	300 cd/m2
	Backlight Life	20,000 hrs
	Contrast Ratio	500 : 1
CPU	DM&P Vortex86DX2 933MHz / Vortex86DX3 1GHz	
Cache	DX2- L1: 16KB I-Cache, 16KB D-Cache / L2: 256KB Cache DX3- L1: 32KB I-Cache, 32KB D-Cache / L2: 512KB Cache	
Memory	512MB / 1GB / 2GB DDRII (DDRIII) Onboard	
Watchdog Timer	Software Programmable from 30.5u to 512 Seconds x 2 Sets	
Serial Port	RS-232 / 422 / 485 x 2	
USB Ports	USB Ports (Version 2.0) x 3	
Ethernet	Integrated 10/100M Ethernet(PoE optional) / Giga Ethernet (Optional)	
Audio	HD Audio-Realtek ALC262 CODEC	
Internal Drives	Compact Flash Type I/II Slot, SD Slot (optional), SATA Slim	
Touch Screen Type	Analog Resistive (Standard) / Projected Capacitive Touch Panel (Option)	
Expansion Slot	WLAN Optional	
Power Requirement	+12 ~ +24VDC	
Power Consumption	+24VDC@1A	
Operating Temperature	0 ~ +50°C (+32 ~ +122°F) / -20°C ~ +60°C (-4 ~ +140°F)	
Storage Temperature	-30 ~ +70°C (-22 ~ +158°F)	
Operating Humidity	0% ~ 90% Relative Humidity, Non-Condensing	
Operating System	Linux, Win CE, Win XP, Win 7, Windows Embedded Standard	
Dimensions	242x156.5x44mm (9.68"x6.26"x1.76")	
Weight	1.36 kg	
Certificate	CE, FCC, VCCI, Vibration, IP65 (Front Panel)	

# DIMENSIONS



Unit: mm

# I/O VIEW & REAR VIEW

Available for max. total 7 RS232 ports or 16-bit GPIO and 5 RS232 ports solution

