

AR-PA8XXFL-E3845/N2930

Features

- 7"/8"/10.1"/12.1"/15" Industrial Compact Size Panel PC
- Flat front panel touch screen
- Fanless design
- Intel Bay Trail N2930(1.83GHz) CPU built-in/E3845(1.91GHz) for option
- Onboard 2GB DDR3L-1600MHz / 4GB(option)
- 9~36VDC wide-ranging power input
- IP65 compliant front panel
- Optional projected capacitive touchscreen support 7H anti-scratch surface



Specification

Model Name	AR-PA810(P)FL-E3845 / N2930	AR-PA812(P)FL-E3845 / N2930
System		
CPU	Onboard Intel Bay Trail N2930(1.83GHz) Processor / E3845(1.91GHz) for option	
System Chipset	Intel Bay Trail SoC	
System Memory	Onboard 2GB DDR3L-1600MHz / 4GB(option)	
Display		
Display Type	10.1"	12.1"
Max. Resolution	1280 x 800	800 x 600
Max. Color	262 K	262 K
Luminance (cd/m ²)	350	450
Contrast Ratio	800 : 1	800 : 1
View angle(H°/V°)	H:160° / V:160°	H:160° / V:140°
Backlight Lifetime	40,000 (hrs)	50,000 (hrs)
Touch screen - Resistive Touch Window Type		
TS Control IC	Resistive Touch Windows	
Interface	USB	
Light Transmission	Resistive Touch Windows: 80%	
Touch screen - Projected Capacitive Type		
TS Control IC	Projected Capacitive Touch(For P Model)	
Interface	USB	
Light Transmission	Projected Capacitive Touch: 90%	
I/O Port		
USB	1 x USB 2.0 type A + 1 x USB 3.0 type A	
Serial/Parallel	1 x RS-232 DB-9(COM2) + 1 x DB-9 RS-232/422/485 (Default RS-232)(COM1)	
Audio/HDMI	1 x Audio Line Out / 1 x HDMI Port (reserved, no printing)	
LAN	2 x GbE LAN RJ-45	
Power	1 x 3-pin Terminal Block DC Power input + 1 x 2-pin connector for power on/off button (Only for AR-PA810(P)FL, AR-PA812(P)FL, and AR-PA815(P)FL)	
Option	2 x RS-232 DB-9 + 1 x mini PCIe slot via TB-528C2ME1 / 2 x CAN bus via TB-528CAN2 / 2 x USB 2.0 type A Via TB-528U2 2 x USB 2.0 type A + 1 x mini PCIe slot + 1 x RS-232 DB-9 via TB-528C1U2P1 for AR-PA812(P)FL 2 x USB 2.0 type A + 1 x mini PCIe slot + 1 x RS-232 DB-9 via TB-528C1U2 for AR-PA810(P)FL	
Storage		
HDD	1 x 2.5" SATA HDD bay for SATA HDD (Easy Accessible)	
Movable device	1 x SD card slot, up to 32GB	
Software		
OS Support	Windows Embedded Compact 7, Windows Embedded Standard 7, Windows Embedded 8 Standard, Windows Embedded 8.1 Industry	

Expansion

On board expansion bus 1 x Internal mini PCIe slot full size

Power Requirement

Power Input 9~36V DC

Power Consumption Max:11.2W / 14W(P) Max:14.6W / 15.2W(P)

Mechanical

Color RAL 9007

Construction Aluminum Die-casting Front Bezel and Chassis

Mounting Panel Mounting, VESA 100 x 100

Dimension (mm) 285 x 189 x 48.9 319 x 245 x 51.7

Net weight (Kg) 1.9 Kg 2.5 Kg

Environmental

Operating temperature(°C) 0~50°C

Storage temperature(°C) -20~60°C

Storage humidity 10 to 90% @ 40°C, non- condensing

Certification CE, FCC CLASS A, CB, UL

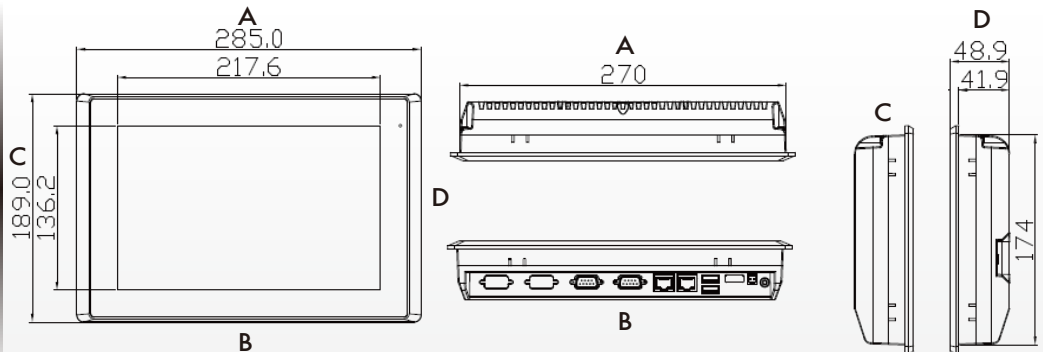
Ordering Information

AR-PA810(P)FL 10.1" WVGA Fanless HMI barebone with Intel N2930 / E3845 CPU, 2GB DDR3 RAM, Resistive touch screen / Projected Capacitive touch screen, 9~36V DC input with adapter Aluminum chassis

AR-PA812(P)FL 12.1" SVGA Fanless HMI barebone with Intel N2930 / E3845 CPU, 2GB DDR3 RAM, Resistive touch screen / Projected Capacitive touch screen, 9~36V DC input with adapter Aluminum chassis

Dimension

AR-PA810(P)FL



AR-PA812(P)FL

