

# M1859

## 18.5" Fanless Intel® Celeron® Quad Core N3160 Medical Infotainment Terminal



### Features

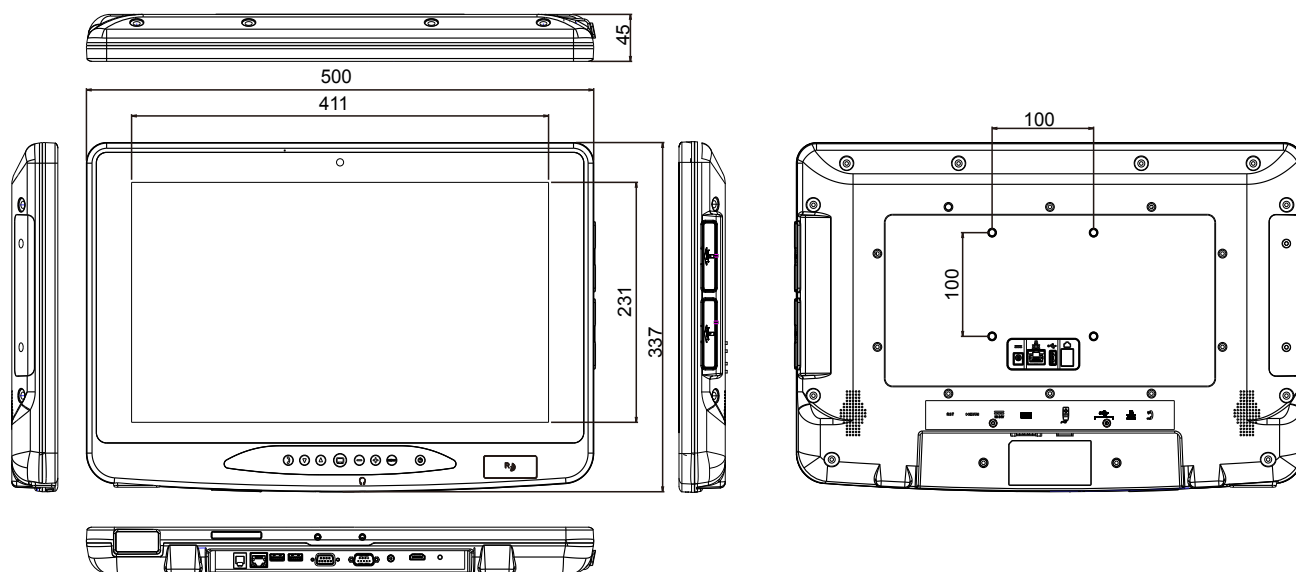
- Flush front bezel ID design
- Windows fanless medical terminal with Celeron N3160
- 18.5" LCD with 10-point projected capacitive multi-touch
- Applicable for bedside infotainment and self-registration
- IEC & EN 60601-1 (Edition 3.1) and IEC & EN 60601-1-2 (Edition 4th) certified
- Ventless design, water-proof and dust resistant
- Patient identification through integrated RFID & NFC, barcode scanner and smart card reader
- Light bar indicator for incoming call, reading light or nurse call alarm

System	
CPU	Intel® Celeron® Quad Core N3160 1.6 GHz
Memory	Soldered onboard 4GB DDR3L
Storage	32GB mSATA SSD installed
Peripherals and Devices	
Camera	1 x 5.0 MP front-facing CMOS camera with auto-focus
WLAN & Bluetooth	1 x WLAN 802.11 a/c & Bluetooth 4.0 BLE, class 2
RFID & NFC	1 x 13.56MHz RFID & NFC reader with ISO 14443A/14443B/15693/Mifare support (optional)
Smart Card Reader	2 x Smart Card Reader slots
Barcode Scanner	1 x 1D/2D barcode scanner (optional)
Phone	1 x VoIP phone blower (optional)
Remote Controller	1 x Remote controller with VoIP phone & nurse call function (optional)
Light Bar	1 x Light bar (Orange/White)
I/O Interface	
Audio	2 x 3W speakers, 1 x built-in microphone (both w/ amplifier) 1 x Mic-in, 1 x speaker-out on bottom Line
LAN	2 x RJ-45 GbE connectors (One on the bottom line, and the other on the rear panel.)
Serial Port	1 x RS-232 port on bottom Line (DB-9 connector)
USB Port	2 x USB 3.0 ports 1 x USB 2.0 port
HDMI	1 x HDMI port
Button & Indicator	
Button	1 x Power on/off button 1 x Menu button 1 x Brightness up button 1 x Brightness down button 1 x LCD on/off button 1 x Volume up button 1 x Volume down button 1 x Phone on/off button
Indicator	1 x Orange/white light bar indicator for incoming call, reading light or/and nurse call alarm

Touch Screen	
Type	10-point Projected Capacitive Multi-Touch
Light Transparency	80% (typ.)
Controller Interface	LVDS type
LCD Display	
Size/Type	18.5" TFT color LCD
Max. Resolution	1366 x 768 (WXGA) with 16.7M colors
Luminance	250 cd/m <sup>2</sup> (typ.)
Contrast Ratio	1000 : 1 (typ.)
Backlight Type	LED
View Angle (H/V)	160°/170° (typ.)
Power Requirement	
Adapter Input	100 ~ 240 VAC (full range)
Adapter Output	DC 20V, 3.25A, 65W (Max.) with medical certificate
Mechanical & Environmental	
Operating Temp.	0 ~ 40°C (32 ~ 104°F)
Storage Temp.	-20 ~ 60°C (-4 ~ 140°F)
Operating Humidity	10 ~ 95% @ 40°C (non-condensing)
Dimensions (W x H x D)	500 x 337 x 45 mm (19.69" x 13.27" x 1.77")
Net Weight	5 kg (11.02 lb)
Vibration	1 Grms/ 5 ~ 500Hz/ random operation
Shock	Operating: 10G/peak (11ms) Non-operating: 10G/peak w/ SSD
Mounting	VESA-100 compatible (M6)
IP Rating	Compliance design with IP65 (front touch panel)
Operational Altitude	Below 2000m CE, FCC Part 18 Subpart C
Regulatory	IEC & EN 60601-1 Safety (Edition 3.1), IEC & EN 60601-1-2 EMC (Edition 4th)
OS Support	
Windows Embedded 8.1 Industry Pro	
Linux: Ubuntu	
Ordering Information	
M1859	18.5" fanless Intel® Braswell N3160 Medical PC with flush-mounted projected capacitive multi-touch screen



## Dimensions



### Standard Accessories

PAC-M065W 65W medical-grade AC/DC adapter kit



### Optional Accessories

Phone-1858 VoIP phone with RJ-11 cable



RC-185X Remote controller with DSUB-9 cable



ARM-Kits VESA-75/100 medical arms

### Optional Configuration (CTOS\* Kit) (Not Sold Separately)

RFID & NFC-1860 RFID & NFC module kit



BarC-1858 Barcode scanner module kit



\*CTOS means Configure-to-Order Service.