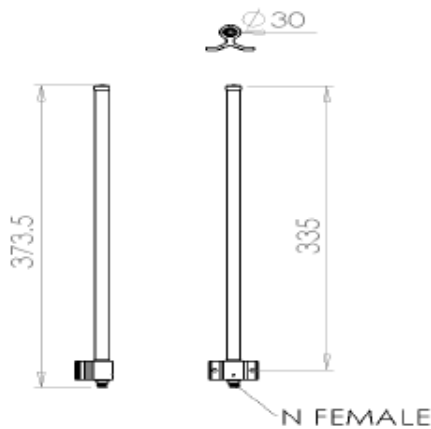


# JWA-2.4G-5dbi

## 2.4G/5dbi Omni-Directional Antenna

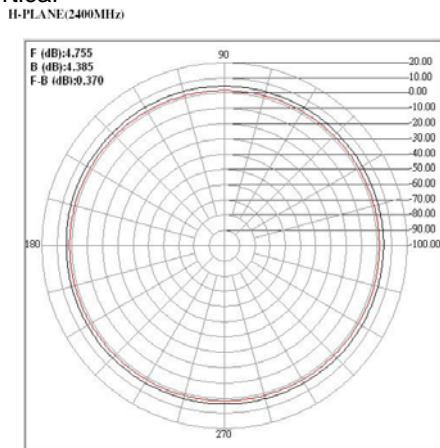


Omni-Directional with 5dbi Gain  
 2.4G N-Type Female Connector  
 2.4-2.5G Frequency  
 -30°C to +60°C Operating Temperature

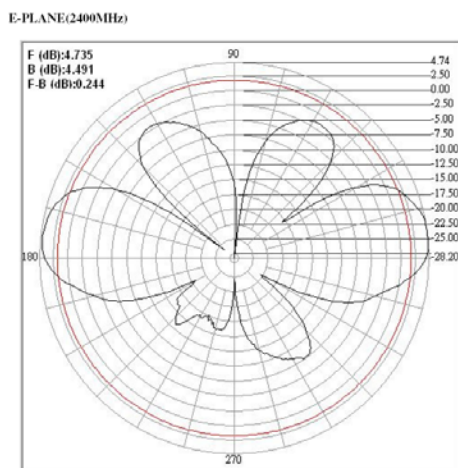
### Specification

Frequency range	2400 MHz –2500 MHz
Gain	5.0 dbi
Polarization	Vertical
VSWR	<2
HPBW / horizontal	360°
HPBW / vertical	30.6°
Power handling	10 W Max
Impedance	50 Ω±5Ω
Operating Temp.	-30°C~60°C

### Vertical



### Horizontal



### Environmental & Mechanical

Connector	N female
Length	30*335 mm
Radome color	White
Radome material	glass fiber
Weight	0.35kg