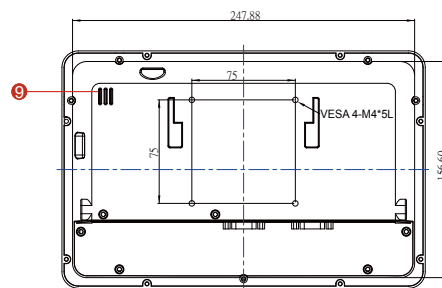
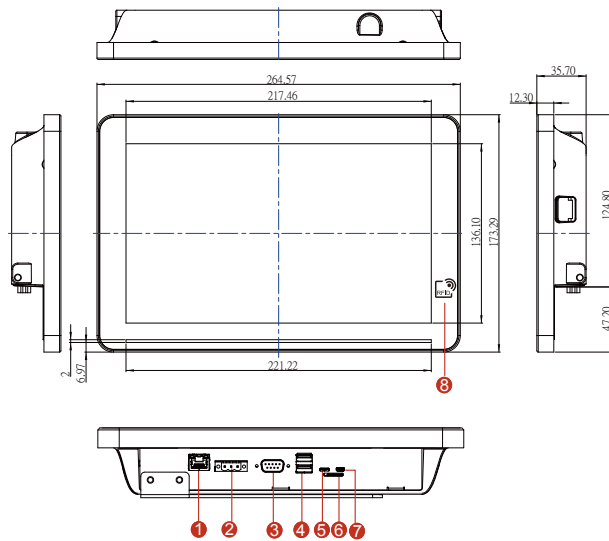


10.1" S-Series HMI - W10RK3S-PCH2-PoE

Features

- 10.1" 1280 x 800 Resolution with Projected Capacitive Multi-Touch (P-CAP)
- Fanless cooling system and ultra-low power consumption
- Supports PoE function
- Optional 2MP Front Camera
- Optional HF RFID Reader
- Stylish design for room booking, access control and room information applications
- Front IP65 Water and Dust Proof



1. Giga LAN / PoE
2. Terminal Block 12V DC In
3. RS232/422/485
4. USB 3.0 x 2
5. Micro HDMI
6. USB OTG
7. Micro SD Card Slot
8. 1W Speaker
9. HF RFID Reader (Optional)

Specifications

System

- Processor : Arm Cortex-A72 up to 2.0GHz + Quad-core Cortex-A53 up to 1.5GHz
- System Memory : 2GB LPDDR3L 1600 (Optional 4GB LPDDR3L)
- Storage : 16GB eMMC (default), Micro SD Card

Input / Output

- Serial Ports : 1 x RS-232/422/485
- USB Ports : 2 x USB 3.0 host, 1 x USB OTG
- SD Card Slot : 1 x Micro SD Card Slot
- Ethernet : 1 x RJ 45-10/100/1000 Mbps LAN support PoE function
- Speaker : 1 x 1 Watt Speaker
- HDMI : 1 x Micro HDMI

Environment

- Operating Temperature : 0 °C to 50 °C
- Operating Humidity : 30% to 90% (non-condensing)

OS BSP Support

- Operating : Android 7.1 (default)

Display

- Size/Type : 10.1" TFT (Widescreen)
- Resolution : 1280x800
- Brightness : 350cd/m (typ.)
- Contrast Ratio : 800 : 1 (typ.)
- Viewing Angle : 85~85(H); -85~85(V)
- Max Colors : 16.7M
- Touch : Projected Capacitive Multi-Touch (P-CAP)

Mechanical Specification

- Cooling System : Fanless design
- Mounting : VESA Mount(75x75mm), Panel Mount, Front Side Wall Mount
- Dimension (W x H x D) : 263.28 x 171 x 35.7 (mm)
- Cutout Dimensions (W x D): 157.6 x 249 (mm)

Power Considerations

- Power Input : 12V DC
- Power Over Ethernet : Power Device (PD) follows IEEE 802.3at (25 W), IEEE 802.3af (15 W)
- Power Consumption : 12W

Peripheral (Optional)

- RFID : HF RFID Reader 13.56 MHz
- Front Camera : 2MP Front Camera

