

# 17" Marine Bridge System Display(S2)

**Model # R17L500-MRA2-S2**

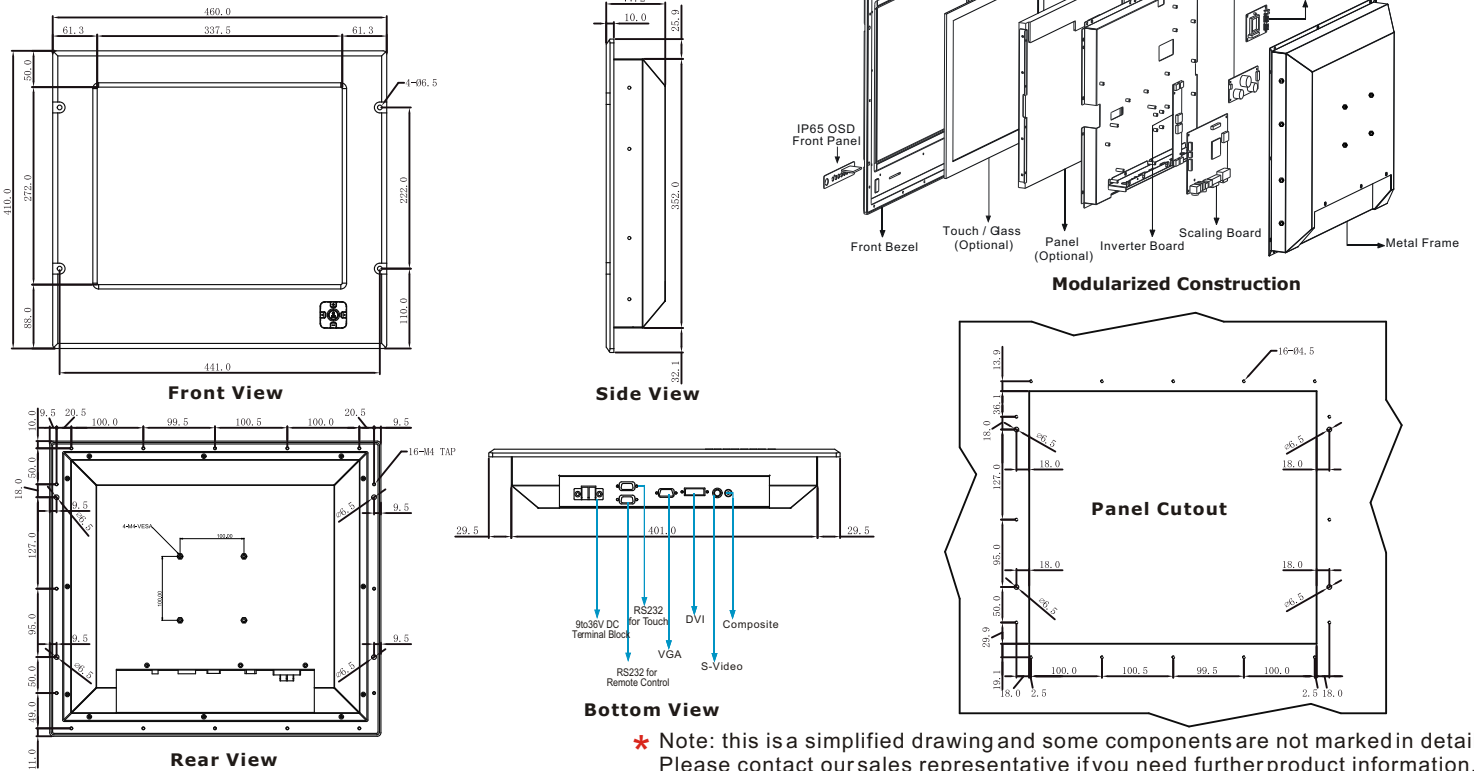
## Features:



- **Hyper Dimming** : OSD control backlight brightness from nearly 0% to 100%
- **Sunlight Readable** : Transflective film technology enhance visibility
- **Anti-Corrosion & IP Proof** : IP65 aluminum housing with powder coating design (IP54 rear)
- **Wide Voltage Range Input** : 9 to 36V DC to DC power input acceptable (AC power for option)
- **Touchscreen/ Protection Glass** : High quality touchscreen/ AR protection glass for option
- **Multiscan Function** : PIP (picture in picture) function and multi-video inputs
- **IP65 OSD Front Panel Design** : Ease of use front panel OSD control
- **Anti-Shock and Vibration** : Enhanced shock and vibration resistance



## Mechanical Design Drawings



\* Note: this is a simplified drawing and some components are not marked in detail. Please contact our sales representative if you need further product information.

## TFT Characteristics:

Pixel Number	: 1280 x 1024
Pixel Pitch (RGB)	: 0.264 (H) x 0.264 (V) mm
Contrast Ratio	: 500:1 (typ.)
Light Intensity	: 510 cd/m <sup>2</sup> (typ.)
Viewable Angles	: -70~70(H); -60~70(V)
Active Display Area	: 337.92 (H) x 270.34 (V) mm
Max Colors	: 16.2M (6bit+FRG/colors)

## User Controls:

Power On/Off via front button
Power Mode Status LED
On Screen Display control (OSD)
OSD Remote Control via RS-232

## Power Specifications:

Power Supply Options	: 9 to 36 V DC power supply with Terminal block (Default), 90 to 265V AC power supply
Power Consumption	: 51 W typical, normal operation

## Input Signals:

RGB Signal	: D-SUB 15P connector (female)
Composite Video	: RCA phono plug
S-Video Signal	: S-Video (SVHS) plug
DVI-D Signal	: DVI-D input 24pin connector
DC Power Signal	: Screw terminal block
AC Power Signal (Optional)	: Std IEC Inlet
Touch Screen (Optional)	: D-SUB 9P connector (female)
Remote via RS-232 (Optional)	: D-SUB 9P connector (female)

## Mechanical and Environmental:

Mechanical Mounting	: Panel (Flush) mount with IP65*, VESA, Bracket mounting
Operating Temperature	: -10 to 55 deg.C (-20 to 60 deg.C for optional heating)
Operating Humidity	: 5% to 95% (non condensing)
Anti-Vibration	: 5Hz~500Hz / 1Grms/3 Axis
Anti-Shock	: 15G, 11ms duration
* SAW touch for IP54	

## Available Options:

Touch Screen Options	: SAW, 5 Wire Resistive
AR Safety Glass Options	: 3mm Anti-reflective protection glass
Transflective Options	: Yes (Enhance Visibility)
AC power Options	: Yes (90 to 265V AC power input)
Bracket Mounting Options	: Yes (One robust bracket can adjust from -10 to 30 deg.)

Certification and Approvals : CE, FCC

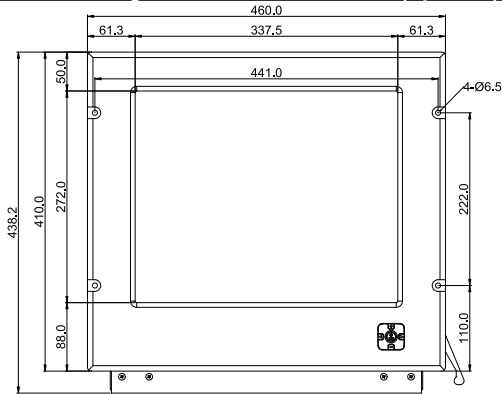




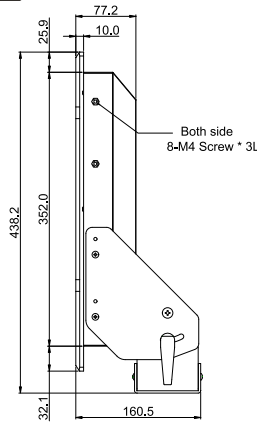
# 17" Marine Bridge System Display (S2)

Model # R17L500-MRA2-S2

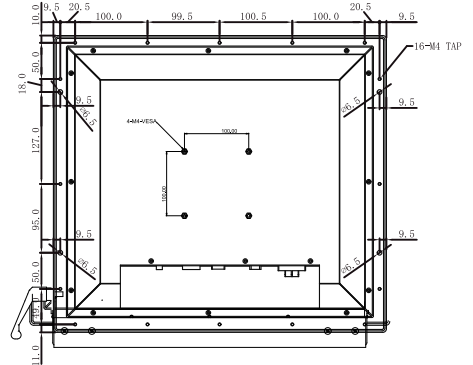
## Mechanical Design with Robust Bracket (options)



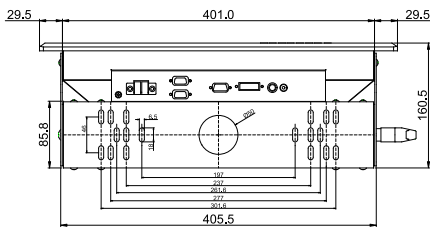
FRONT VIEW



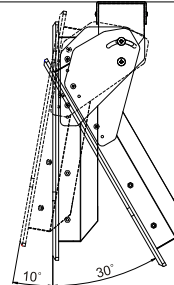
SIDE VIEW



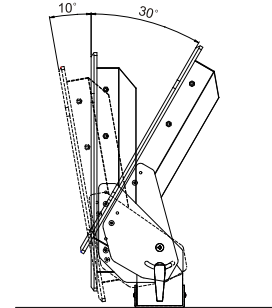
BACK VIEW



BOTTOM VIEW

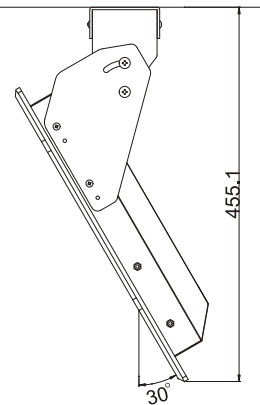
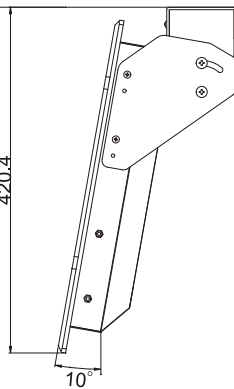
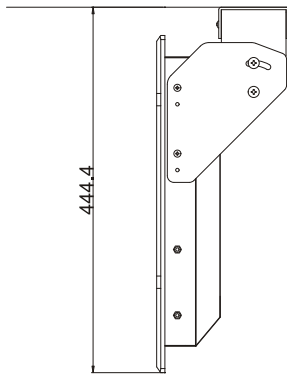


ROOF MOUNT

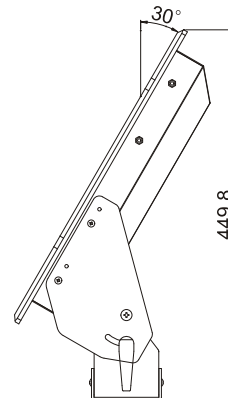
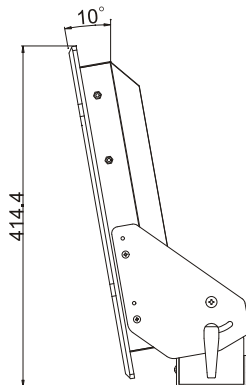
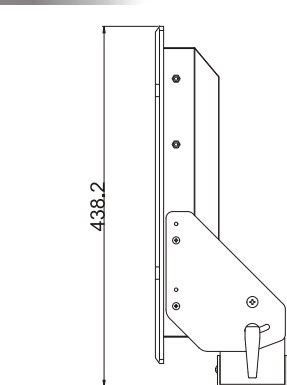


STAND ANGLE

### ROOF MOUNT



### STAND ANGLE



All Dimensions are ±0.5 mm

\* Note: this is a simplified drawing and some components are not marked in detail. Please contact our sales representative if you need further product information.



Rev.	Reasons	Revised Date
1.0	First release	Aug-04-09

\* Extra charge is required for back covers with bracket holes for products purchased before end of Nov. 08'

Certification and Approvals : CE, FCC

www.ipc2u.ru

www.ipc2u.de

www.ipc2u.com

Date. 05/2018 Rev.01